

**MODEL:** CMS-251472-24SP | **DESCRIPTION:** SPEAKER**FEATURES**

- 4 ohm
- rated 2.0 W
- solder pads

**SPECIFICATIONS**

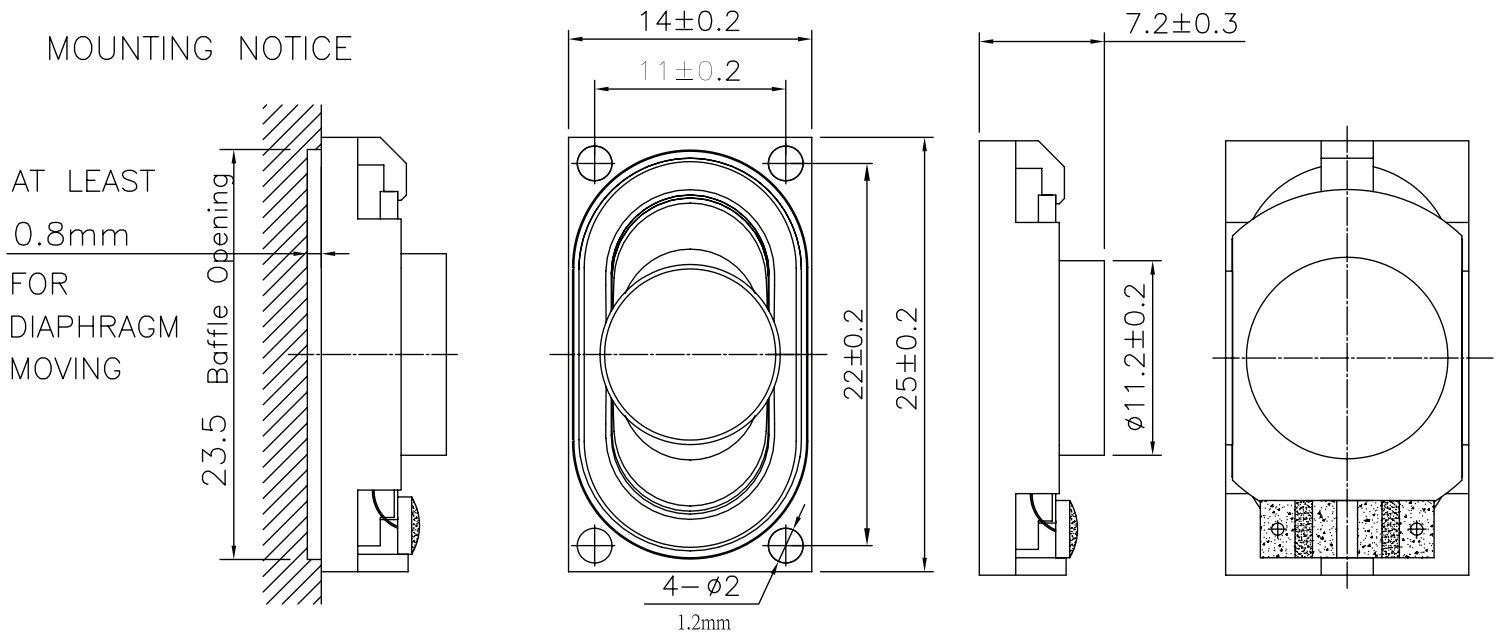
parameter	conditions/description	min	typ	max	units
input power			2	2.5	W
impedance		3.4	4	4.6	$\Omega$
resonant frequency (Fo)		576	720	864	Hz
frequency response		Fo		20,000	Hz
sound pressure level	at 1.0 W, 50 cm, avg at 0.8, 1.0, 1.2, 1.5 kHz	77	80	83	dB
distortion	at 1.0 kHz, 1.0 W, 50 cm			5	%
buzz, rattle, etc.	must be normal at sine wave			2.83	V
polarity	cone moves forward w/ positive dc current to "+" terminal				
dimensions	25 x 14 x 7.2				mm
magnet	Nd-Fe-B				
frame material	ABS + 15% GF				
cone material	cloth				
terminal	solder pads				
weight			1.7		g
operating temperature		-20		55	$^{\circ}\text{C}$
storage temperature		-25		60	$^{\circ}\text{C}$
hand soldering	for maximum 2 seconds	360		380	$^{\circ}\text{C}$
RoHS	yes				

Notes: 1. All specifications measured at 15-35 $^{\circ}\text{C}$ , humidity at 25-75%, unless otherwise noted.

## MECHANICAL DRAWING

units: mm  
tolerance:  $\pm 0.2$  mm

### MOUNTING NOTICE



## RESPONSE CURVES

### Frequency Response Curve

Test Conditions: 2.0 V / 50 cm

