

**MODEL:** CMS-25148N | **DESCRIPTION:** SPEAKER**FEATURES**

- 92 dB SPL
- 1050 Hz resonant frequency
- Nd-Fe-B magnet

**SPECIFICATIONS**

| parameter               | conditions/description                                                     | min | typ  | max    | units        |
|-------------------------|----------------------------------------------------------------------------|-----|------|--------|--------------|
| input power             | maximum power: IEC-60268-5, filter 60s on/120s off, 10 cycles at room temp |     | 1.0  | 1.5    | W            |
| impedance               | at 1.5 kHz, 1.0 V                                                          | 6.8 | 8    | 9.2    | $\Omega$     |
| resonant frequency (Fo) | at 1.0 V                                                                   | 840 | 1050 | 1260   | Hz           |
| frequency response      | output SPL $\pm$ 10 dB                                                     | Fo  |      | 20,000 | Hz           |
| sound pressure level    | at 1 W, 0.1 m ave, at 0.8, 1.0, 1.2, 1.5 kHz                               | 89  | 92   | 95     | dB           |
| distortion              | at 2 kHz, 1 W                                                              |     |      | 5      | %            |
| buzz, rattle, etc.      | must be normal at sine wave between Fo ~ 20,000 Hz                         |     | 2.83 |        | V            |
| dimensions              | 25.0 x 14.0 x 5.2                                                          |     |      |        | mm           |
| magnet                  | Nd-Fe-B                                                                    |     |      |        |              |
| material                | PBT                                                                        |     |      |        |              |
| cone material           | cloth                                                                      |     |      |        |              |
| terminal                | solder pads                                                                |     |      |        |              |
| weight                  |                                                                            |     | 2.4  |        | g            |
| operating temperature   |                                                                            | -20 |      | 55     | $^{\circ}$ C |
| storage temperature     |                                                                            | -30 |      | 70     | $^{\circ}$ C |
| RoHS                    | yes                                                                        |     |      |        |              |

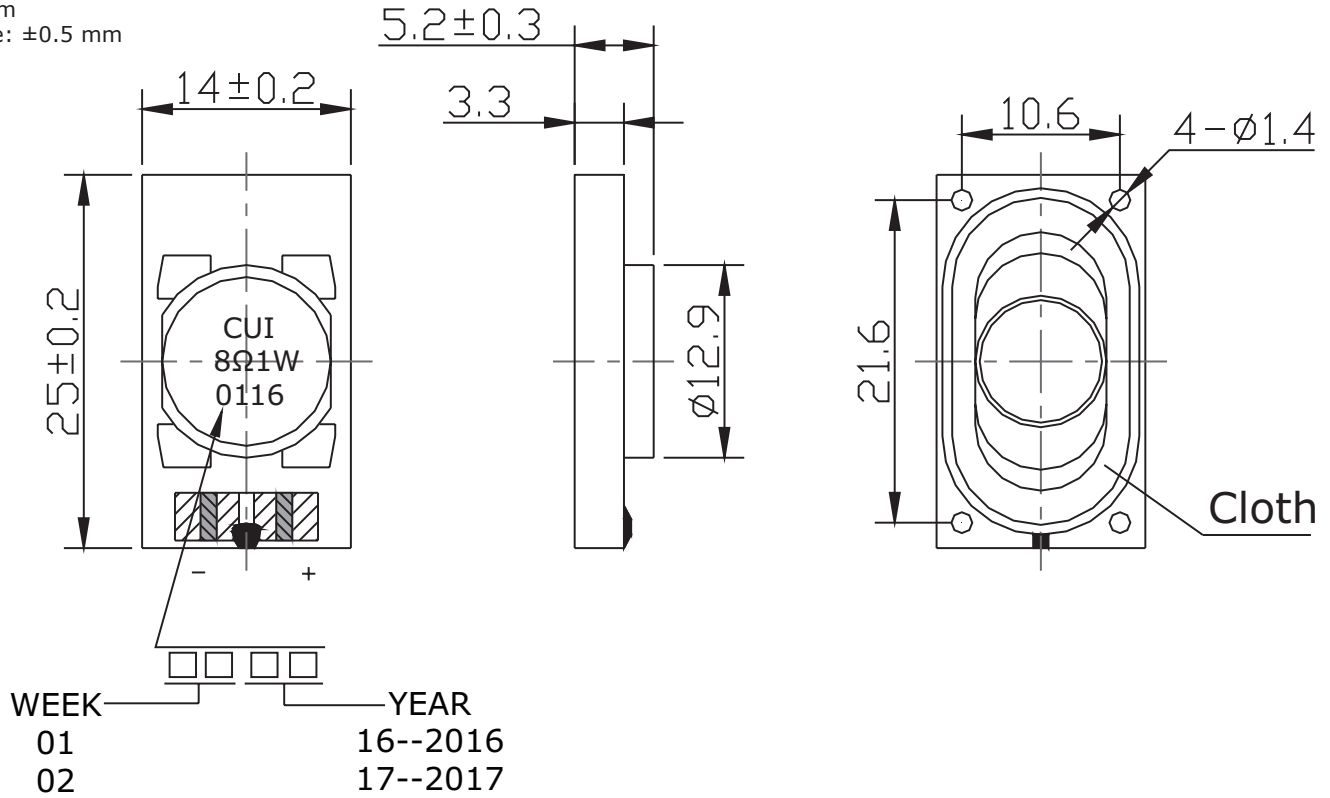
Notes: 1. All specifications measured at 5~35 $^{\circ}$ C, humidity at 45~85%, under 86~106 kPa pressure, unless otherwise noted.

**SOLDERABILITY**

| parameter      | conditions/description | min | typ | max | units        |
|----------------|------------------------|-----|-----|-----|--------------|
| hand soldering | for maximum 3 seconds  | 370 | 380 | 390 | $^{\circ}$ C |

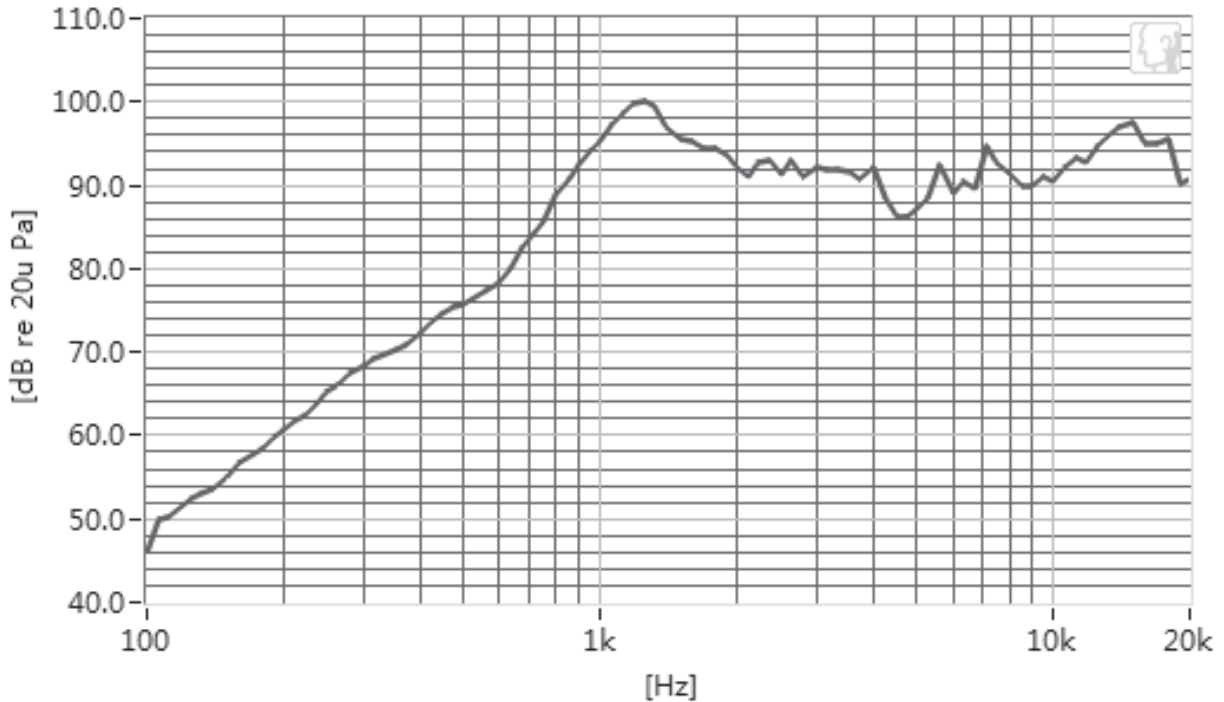
## MECHANICAL DRAWING

units: mm  
tolerance: ±0.5 mm



## FREQUENCY RESPONSE CURVE

Frequency Response.Magn dB re 20.00µ PA (at 1W / 0.1 m)



## PACKAGING

units: mm

Tray Size: 320 x 220 x 10 mm  
 Carton Size: 515 x 330 x 215 mm  
 Tray QTY: 50 pcs per tray  
 Carton QTY: 2,000 pcs per carton

