

**MODEL:** CMS-2844-058SP | **DESCRIPTION:** SPEAKER**FEATURES**

- 8 ohm
- rated 0.5 W
- solder pads

**SPECIFICATIONS**

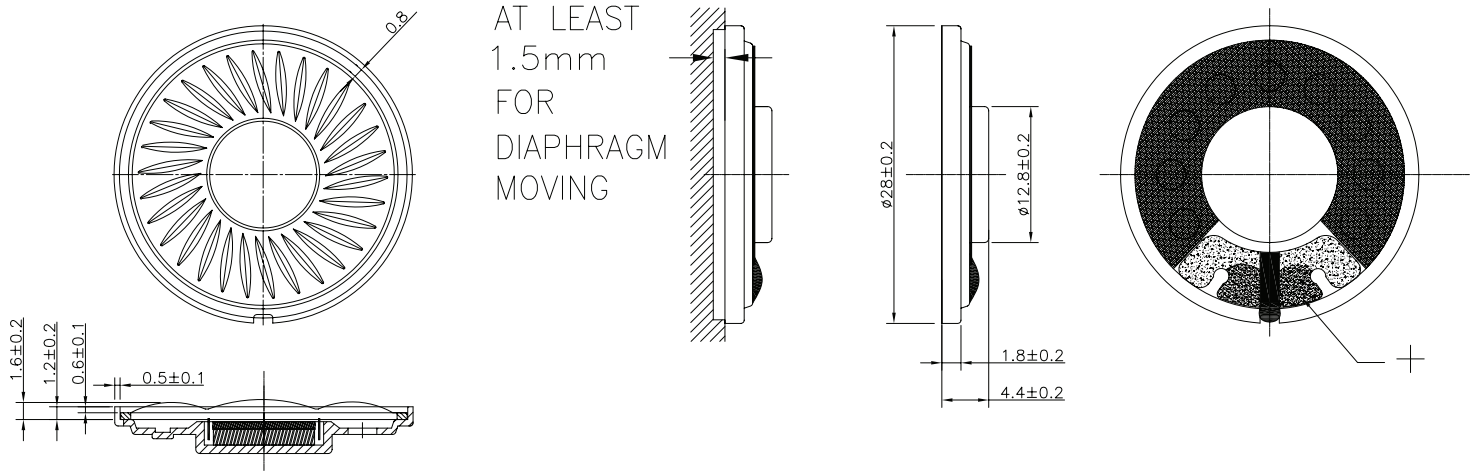
parameter	conditions/description	min	typ	max	units
input power			0.5	1	W
impedance		6.8	8	9.2	$\Omega$
resonant frequency (Fo)		312	390	468	Hz
frequency response		250		20,000	Hz
sound pressure level	at 0.5 W, 50 cm, avg 0.8, 1.0, 1.2, 1.5 kHz	79	82	85	dB
distortion	at 1.0 kHz, 0.5 W, 50 cm			5	%
buzz, rattle, etc.	must be normal at sine wave, frequency range			2.0	V
polarity	cone moves forward w/ positive dc current to "+" terminal				
dimensions	$\varnothing 28 \times 4.4$				mm
magnet	Nd-Fe-B				
frame material	iron				
cone material	PEI				
terminal	solder pads				
weight			5.3		g
operating temperature		-20		55	$^{\circ}\text{C}$
storage temperature		-25		60	$^{\circ}\text{C}$
hand soldering	for maximum 2 seconds	360		380	$^{\circ}\text{C}$
RoHS	yes				

Notes: 1. All specifications measured at 15-35 $^{\circ}\text{C}$ , humidity at 25-75%, unless otherwise noted.

## MECHANICAL DRAWING

units: mm  
tolerance:  $\pm 0.2$  mm

### MOUNTING NOTICE



## RESPONSE CURVES

### Frequency Response Curve

Test Conditions: 2 V / 50 cm

