

**MODEL:** CMS-29958F | **DESCRIPTION:** SPEAKER**FEATURES**

- miniature speaker
- 650 Hz resonant frequency
- ferrite magnet

**SPECIFICATIONS**

parameter	conditions/description	min	typ	max	units
input power	maximum power: IEC-60268-5, filter 60s on/120s off, 10 cycles at room temp		0.1	0.2	W
impedance	at 1.0 kHz, 1.0 V	6.8	8	9.2	$\Omega$
resonant frequency (Fo)	at 1.0 V	520	650	780	Hz
frequency response	output SPL $\pm$ 10 dB	Fo		4,000	Hz
sound pressure level	at 0.1 W, 0.1 m ave, at 1.0, 1.2, 1.5, 2.0 kHz at 1 W, 1 m ave, at 1.0, 1.2, 1.5, 2.0 kHz	85 75	88 78	91 81	dB dB
distortion	at 1.0 kHz, 0.1 W			10	%
buzz, rattle, etc.	must be normal at sine wave between Fo $\sim$ 4,000 kHz		0.89		V
dimensions	$\varnothing$ 29.0 x 9.5				mm
magnet	ferrite ( $\varnothing$ 16.0 x 7 x 5 mm)				
material	ABS UL-94 1/16" HB				
cone material	mylar				
terminal	solder pads				
weight			8.0		g
operating temperature		-20		55	$^{\circ}$ C
storage temperature		-20		55	$^{\circ}$ C
RoHS	yes				

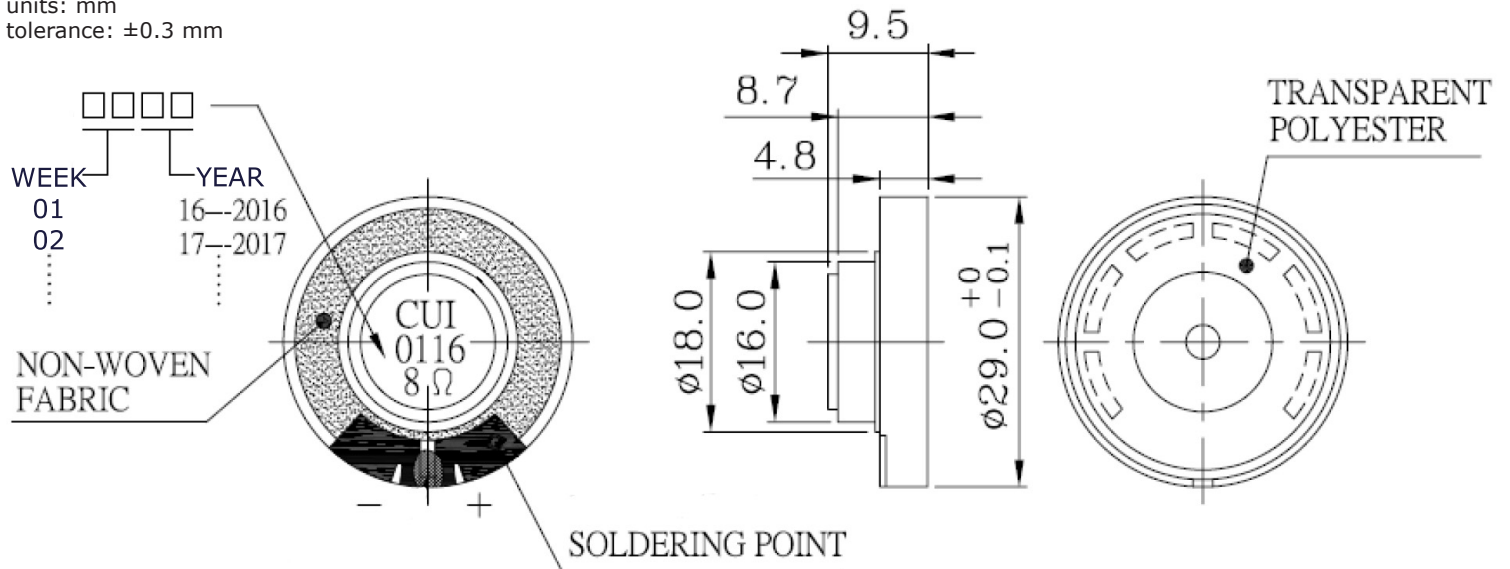
Notes: 1. All specifications measured at 5~35 $^{\circ}$ C, humidity at 45~85%, under 86~106 kPa pressure, unless otherwise noted.

**SOLDERABILITY**

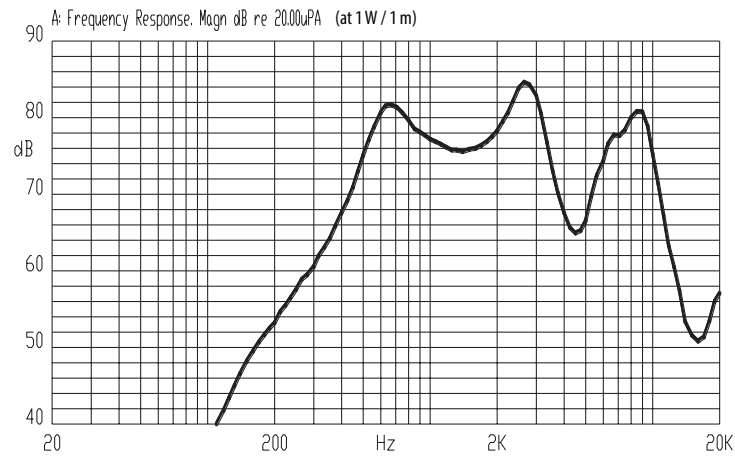
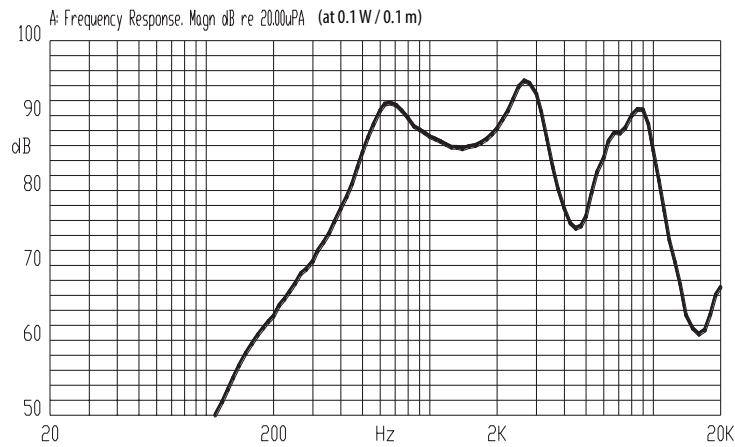
parameter	conditions/description	min	typ	max	units
hand soldering	for 3 $\pm$ 1 seconds	360	370	380	$^{\circ}$ C

## MECHANICAL DRAWING

units: mm  
tolerance:  $\pm 0.3$  mm



## FREQUENCY RESPONSE CURVES



## PACKAGING

units: mm

Tray Size: 420 x 270 x 22 mm  
 Carton Size: 440 x 290 x 300 mm  
 Tray QTY: 40 pcs per tray  
 Carton QTY: 1,000 pcs per carton

