

MODEL: CMS-323116-38SP | **DESCRIPTION:** SPEAKER**FEATURES**

- 8 ohm
- rated 3.0 W
- solder pads
- IPX5

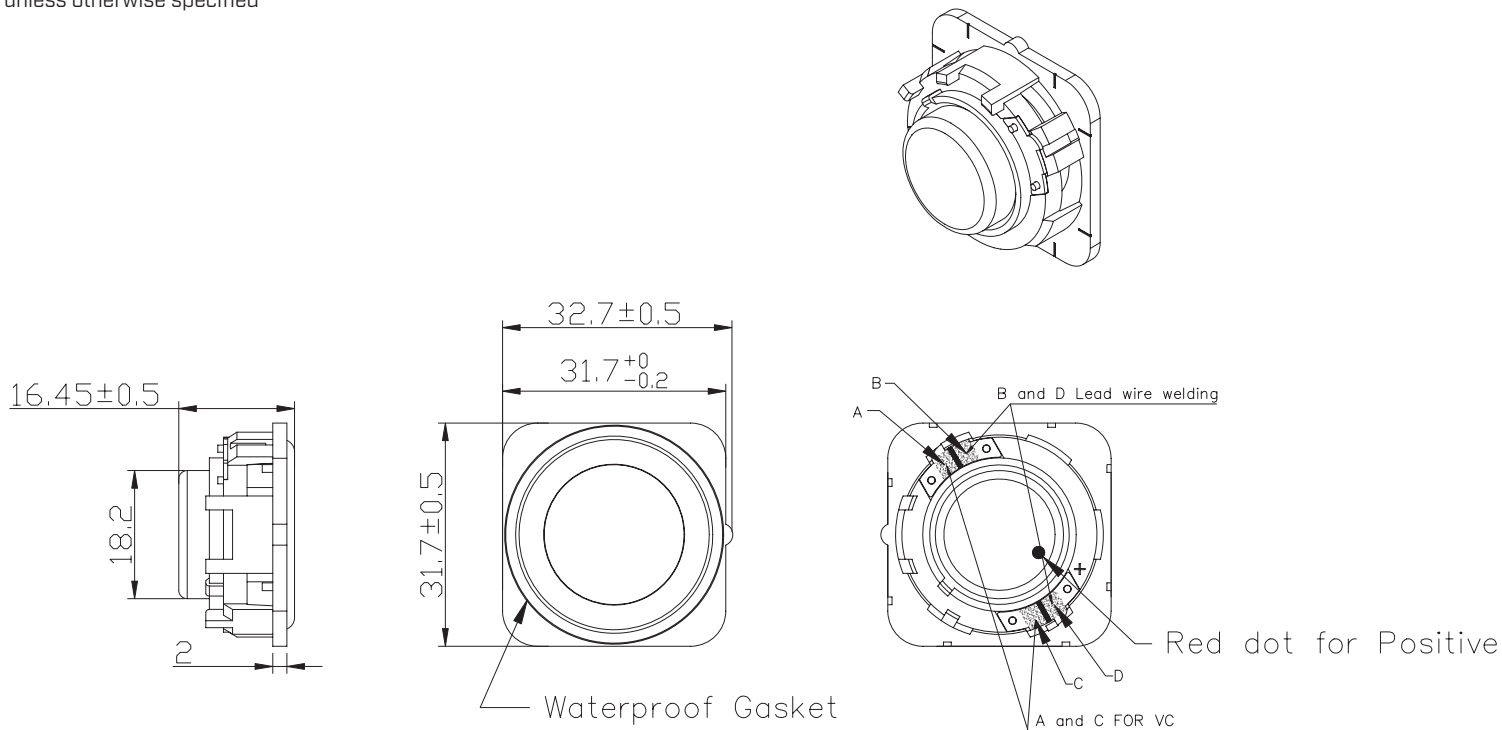
**SPECIFICATIONS**

parameter	conditions/description	min	typ	max	units
input power			3	4	W
impedance		6.46	7.6	8.74	Ω
resonant frequency (Fo)		184	230	276	Hz
frequency response		150		20,000	Hz
sound pressure level	at 1.0 W, 50 cm, avg at 0.6, 0.8, 1.0, 1.2 kHz	82	85	88	dB
distortion	at 1.0 kHz, 1.0 W, 50 cm			5	%
buzz, rattle, etc.	must be normal at sine wave			4.9	V
polarity	cone moves forward w/ positive dc current to "+" terminal				
dimensions	32.7 x 31.7 x 16.45				mm
magnet	Nd-Fe-B				
frame material	PBT + 15% GF				
cone material	aluminium				
terminal	solder pads				
weight			16.6		g
operating temperature		-20		55	$^{\circ}\text{C}$
storage temperature		-25		60	$^{\circ}\text{C}$
hand soldering	for maximum 2 seconds	360		380	$^{\circ}\text{C}$
RoHS	yes				
IP level	IPX5				

Notes: 1. All specifications measured at 15-35 $^{\circ}\text{C}$, humidity at 25-75%, unless otherwise noted.

MECHANICAL DRAWING

units: mm
 tolerance:
 X≤8: ±0.1 mm
 8<X≤16: ±0.15 mm
 16<X≤24: ±0.20 mm
 unless otherwise specified



RESPONSE CURVES

Frequency Response Curve

Test Conditions: 2.83 V / 50 cm

