

MODEL: CMS-323214-34SP | **DESCRIPTION:** SPEAKER**FEATURES**

- 4 ohm
- rated 3.0 W
- solder pads

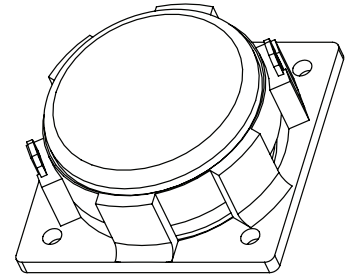
**SPECIFICATIONS**

parameter	conditions/description	min	typ	max	units
input power			3	5	W
impedance		3.4	4	4.6	Ω
resonant frequency (Fo)		184	230	276	Hz
frequency response		Fo		11,000	Hz
sound pressure level	at 1.0 W, 50 cm, avg at 0.8, 1.0, 1.2, 1.5 kHz	76	79	82	dB
distortion	at 1.0 kHz, 1 W, 50 cm			5	%
buzz, rattle, etc.	must be normal at sine wave			3.46	V
polarity	cone moves forward w/ positive dc current to "+" terminal				
dimensions	32 x 32 x 14.7				mm
magnet	Nd-Fe-B				
frame material	ABS + PC				
cone material	foam				
terminal	solder terminals				
weight			30		g
operating temperature		-20		55	$^{\circ}\text{C}$
storage temperature		-25		60	$^{\circ}\text{C}$
hand soldering	for maximum 2 seconds	360		380	$^{\circ}\text{C}$
RoHS	yes				

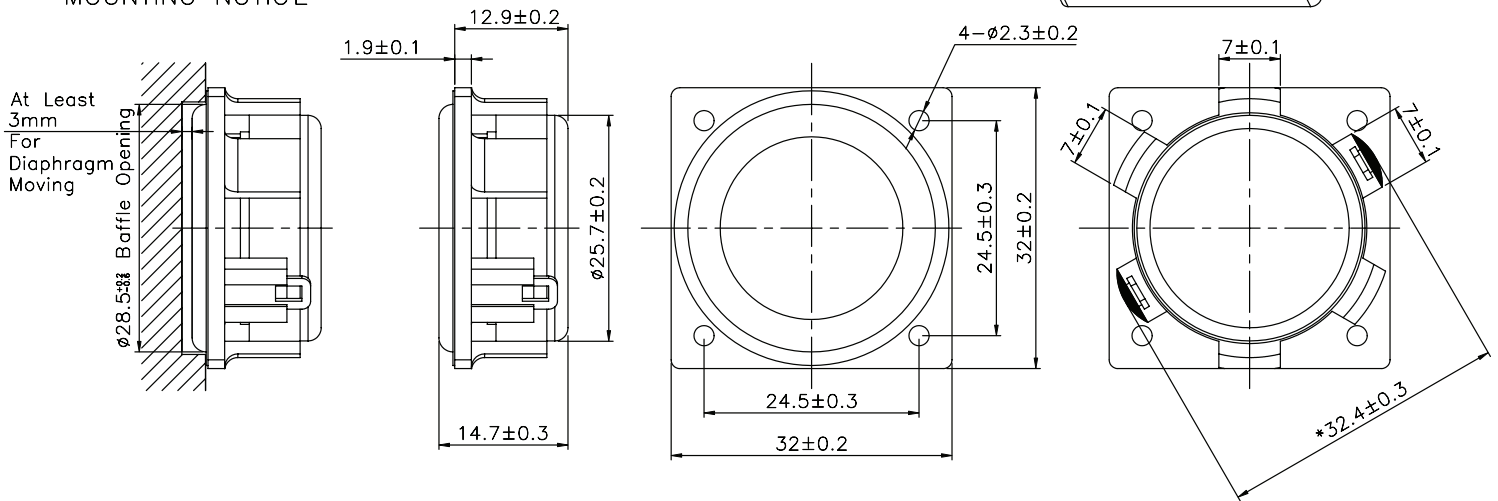
Notes: 1. All specifications measured at 15-35 $^{\circ}\text{C}$, humidity at 25-75%, unless otherwise noted.

MECHANICAL DRAWING

units: mm
tolerance: ± 0.2 mm



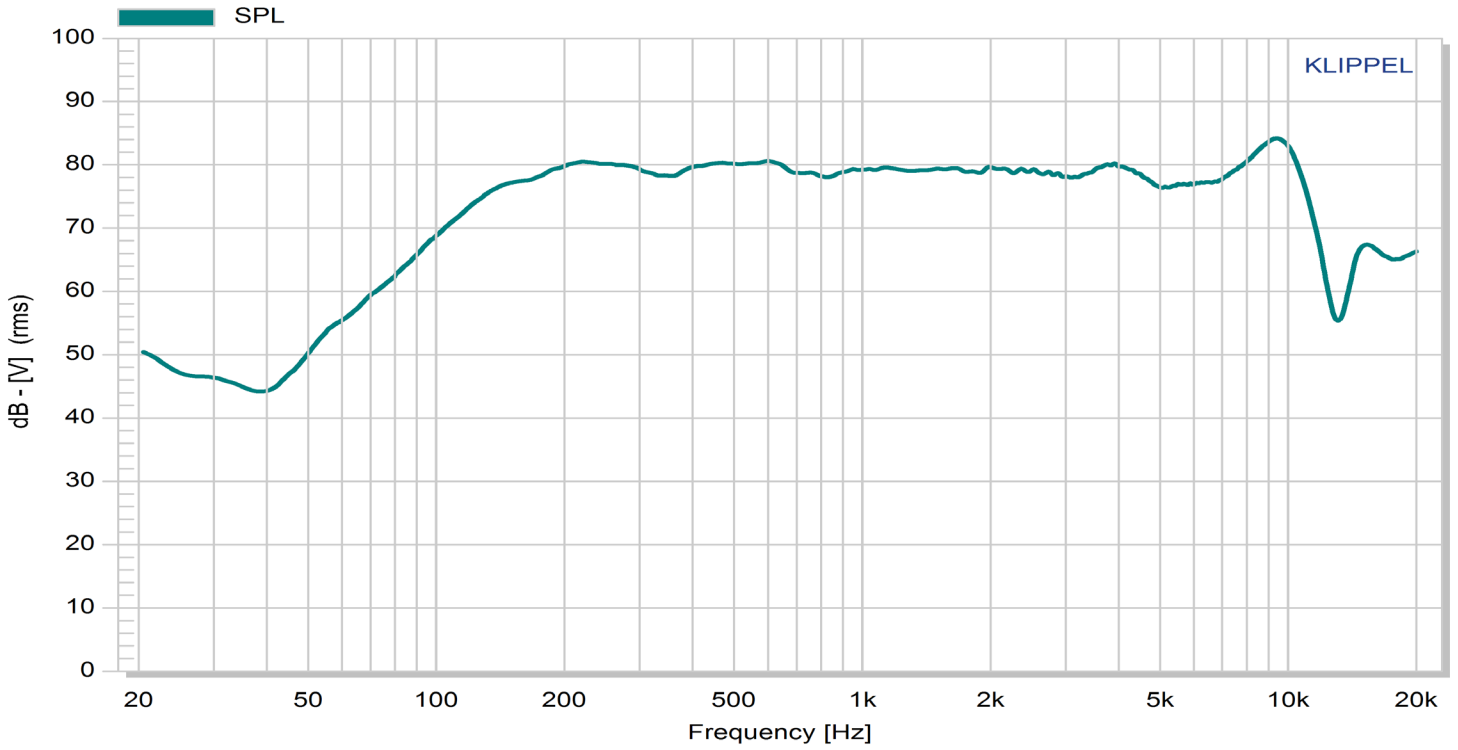
MOUNTING NOTICE



RESPONSE CURVES

Frequency Response Curve

Test Conditions: 1.0 W / 50 cm



Total Harmonic Distortion Curve

Test Conditions: 1.0 W / 50 cm

