

MODEL: CMS-352052-24SP-X7 | **DESCRIPTION:** SPEAKER

FEATURES

- IPX7 rated
- rated 2.0 W
- 8 Ω

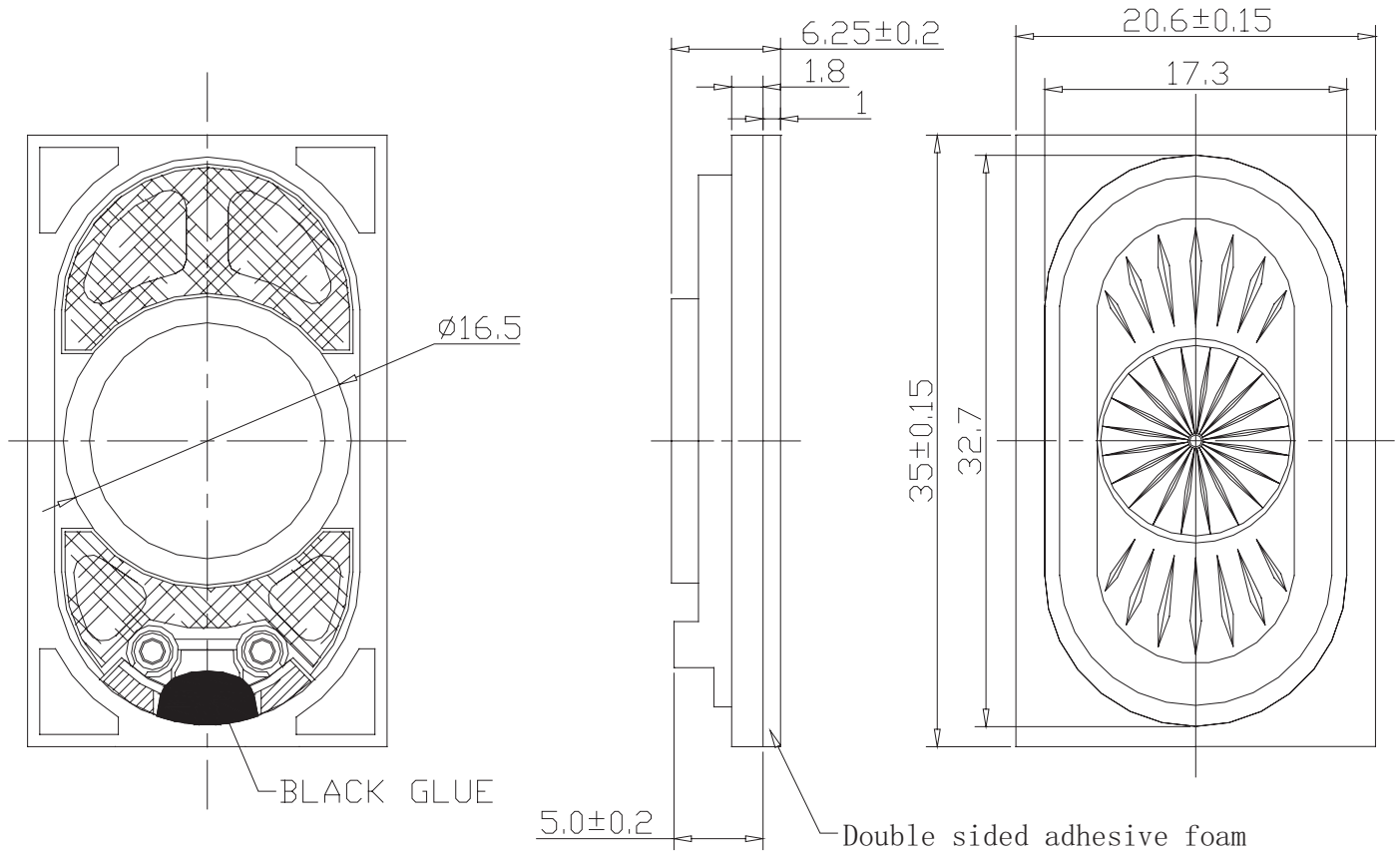

SPECIFICATIONS

parameter	conditions/description	min	typ	max	units
input power	max power: as per IEC-268-5		2.0	2.5	W
impedance	at 1.0 kHz, 1 V	6.8	8	9.2	Ω
resonant frequency (Fo)	at 1 V	680	850	1,020	Hz
frequency response		Fo		20,000	Hz
sound pressure level	at 1 W, 10 cm, avg 520, 650, 780 Hz	98	101	104	dB
distortion	at Fo~10 kHz, 1 V, 10 cm, sine wave at 1 kHz, 1 V, 10 cm, sine wave			10 5	% %
buzz, rattle, etc.	must be normal at sine wave, frequency range			2.83	V
polarity	cone moves forward w/ positive dc current to "+" terminal				
dimensions	35 x 20.6 x 6.25				mm
magnet	Nd-Fe-B				
frame material	PBT				
cone material	PEI				
terminal	solder pads				
weight			7.6		g
operating temperature		-30		70	$^{\circ}$ C
storage temperature		-40		85	$^{\circ}$ C
hand soldering	for maximum 3 seconds			380	$^{\circ}$ C
RoHS	yes				
IP level	IPX7 (front side)				

Notes: 1. All specifications measured at 23-25 $^{\circ}$ C, humidity at 55%, under 86-106 kPa pressure, unless otherwise noted.

MECHANICAL DRAWING

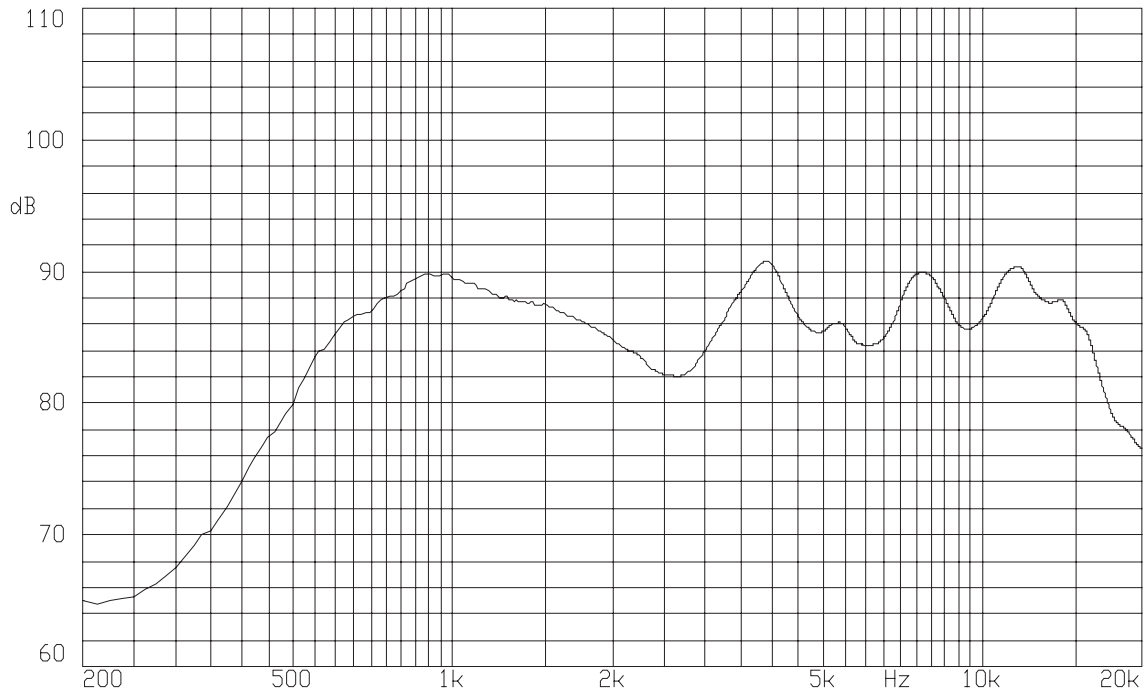
units: mm
tolerance: ± 0.5 mm



RESPONSE CURVE

Frequency Response Curve

Test Conditions: 2 W / 50 cm



26-JUL-2008 16: 29: 26

Mode: TSR



PACKAGING

units: mm

Tray QTY: 50 pcs per tray
 Carton Size: 600 x 300 x 205 mm
 Carton QTY: 1,000 pcs per carton

