

**MODEL:** CMS-3648-038SP | **DESCRIPTION:** SPEAKER**FEATURES**

- 8 ohm
- rated 0.3 W
- solder pads

**SPECIFICATIONS**

parameter	conditions/description	min	typ	max	units
input power			0.3	0.5	W
impedance		6.8	8	9.2	$\Omega$
resonant frequency (Fo)		344	430	516	Hz
frequency response		Fo		20,000	Hz
sound pressure level	at 0.3 W, 50 cm, avg 0.8, 1.0, 1.2, 1.5 kHz	78	81	84	dB
distortion	at 1.0 kHz, 0.3 W, 50 cm			5	%
buzz, rattle, etc.	must be normal at sine wave, frequency range			1.55	V
polarity	cone moves forward w/ positive dc current to "+" terminal				
dimensions	$\varnothing 36 \times 4.8$				mm
magnet	Nd-Fe-B				
frame material	iron				
cone material	PEI				
terminal	solder pads				
weight			9.5		g
operating temperature		-20		55	$^{\circ}\text{C}$
storage temperature		-25		60	$^{\circ}\text{C}$
hand soldering	for maximum 2 seconds	360		380	$^{\circ}\text{C}$
RoHS	yes				

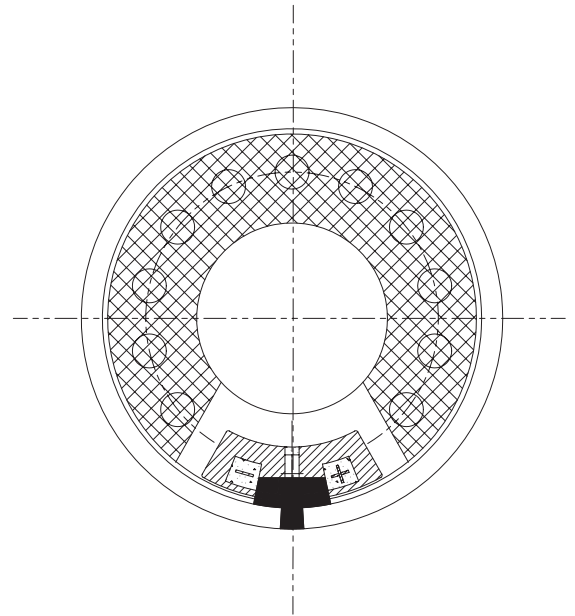
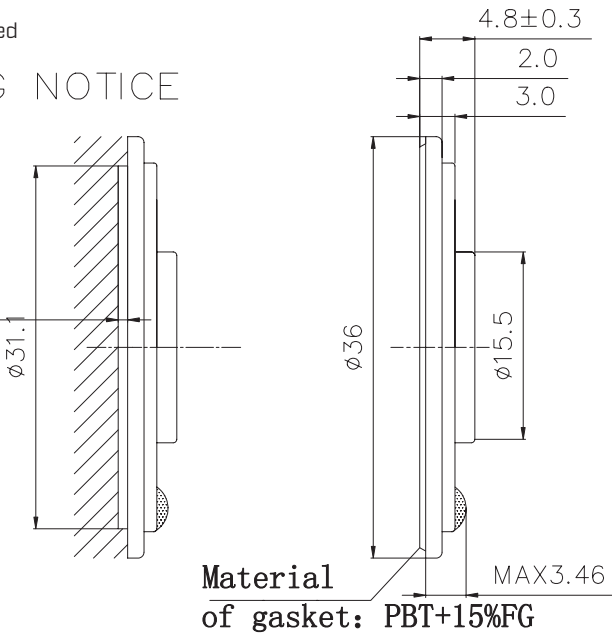
Notes: 1. All specifications measured at 15-35 $^{\circ}\text{C}$ , humidity at 25-75%, unless otherwise noted.

## MECHANICAL DRAWING

units: mm  
 tolerance:  
 $X \leq 8$ :  $\pm 0.1$  mm  
 $8 < X \leq 16$ :  $\pm 0.15$  mm  
 $16 < X \leq 24$ :  $\pm 0.2$  mm  
 $24 < X \leq 50$ :  $\pm 0.25$  mm  
 unless otherwise specified

### MOUNTING NOTICE

AT LEAST  
 FOR 0.8MM  
 DIAPHRAGM  
 MOVING



## RESPONSE CURVES

### Frequency Response Curve

Test Conditions: 1.55 V / 50 cm

