

MODEL: CMS-3655-058SP | **DESCRIPTION:** SPEAKER**FEATURES**

- 8 ohm
- rated 0.5 W
- solder pads

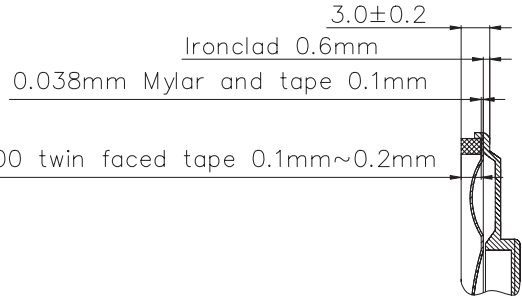
**SPECIFICATIONS**

parameter	conditions/description	min	typ	max	units
input power			0.5	1.0	W
impedance		6.8	8	9.2	Ω
resonant frequency (Fo)		400	500	600	Hz
frequency response		Fo		20,000	Hz
sound pressure level	at 0.5 W, 30 cm, avg 0.8, 1.0, 1.2, 1.5 kHz	87	90	93	dB
distortion	at 1.0 kHz, 0.5 W, 30 cm			5	%
buzz, rattle, etc.	must be normal at sine wave, frequency range			2.0	V
polarity	cone moves forward w/ positive dc current to "+" terminal				
dimensions	$\varnothing 36 \times 5.6$				mm
magnet	Nd-Fe-B				
frame material	iron				
cone material	PEN				
terminal	solder pads				
weight			8.0		g
operating temperature		-20		55	$^{\circ}\text{C}$
storage temperature		-25		60	$^{\circ}\text{C}$
hand soldering	for maximum 2 seconds	360		380	$^{\circ}\text{C}$
RoHS	yes				

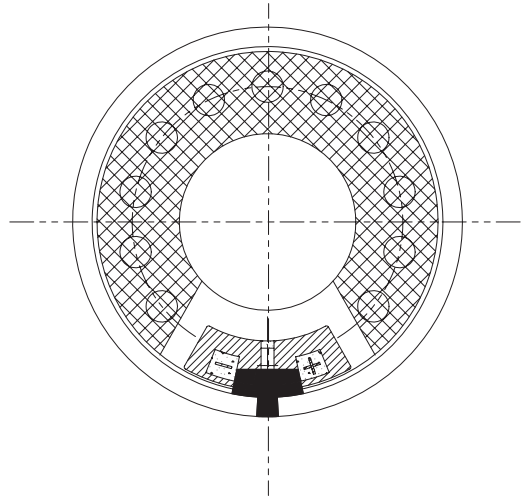
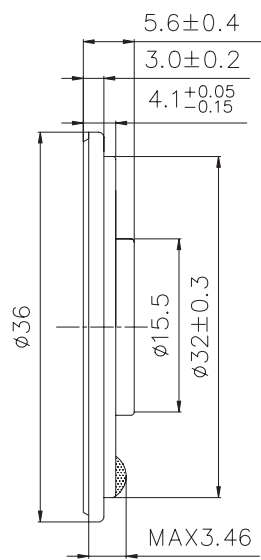
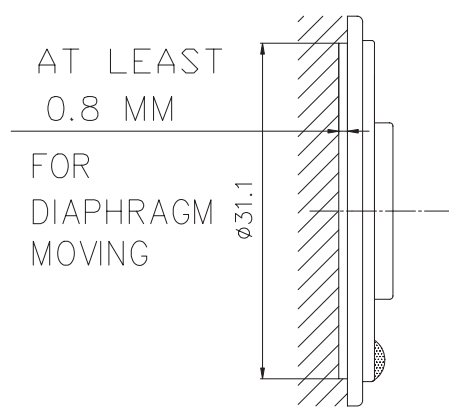
Notes: 1. All specifications measured at 15-35 $^{\circ}\text{C}$, humidity at 25-75%, unless otherwise noted.

MECHANICAL DRAWING

units: mm
 tolerance:
 X≤8: ±0.1 mm
 8<X≤16: ±0.15 mm
 16<X≤24: ±0.20 mm
 24<X≤50: ±0.25 mm
 unless otherwise specified



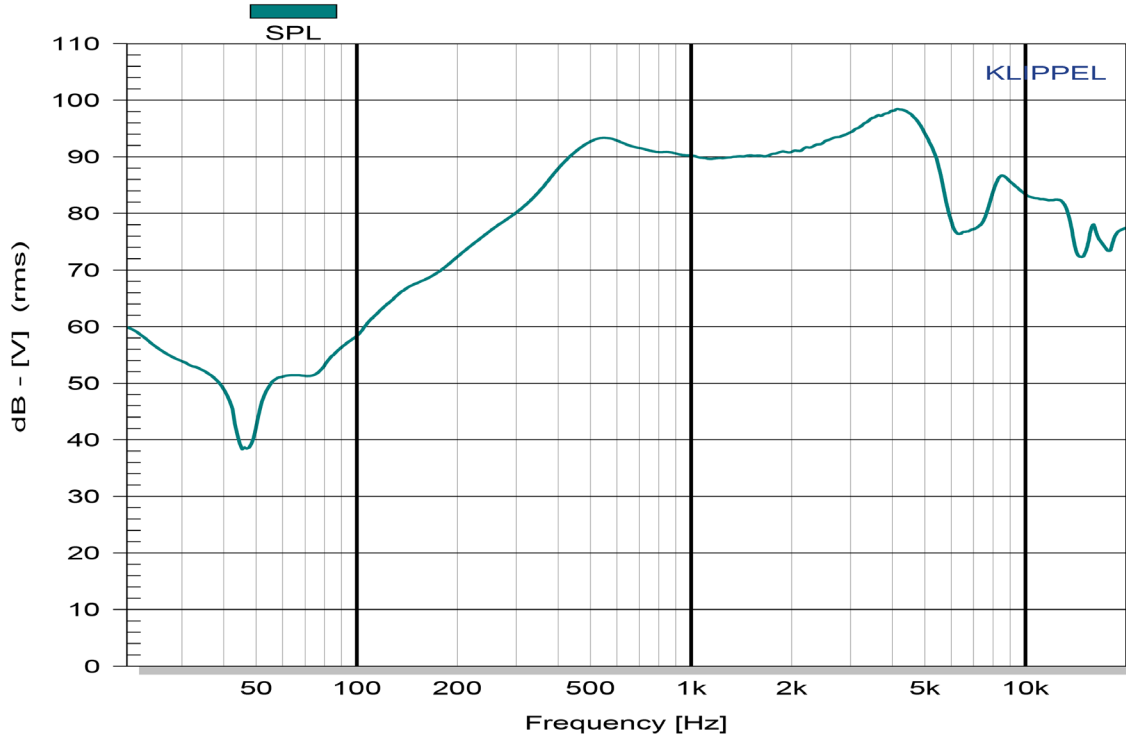
MOUNTING NOTICE



RESPONSE CURVES

Frequency Response Curve

Test Conditions: 0.5 W / 30 cm



Total Harmonic Distortion Curve

Test Conditions: 0.5 W / 30 cm on baffle

