

**MODEL:** CMS-3819-38SP | **DESCRIPTION:** SPEAKER**FEATURES**

- 8 ohm
- rated 3.0 W
- solder pads

**SPECIFICATIONS**

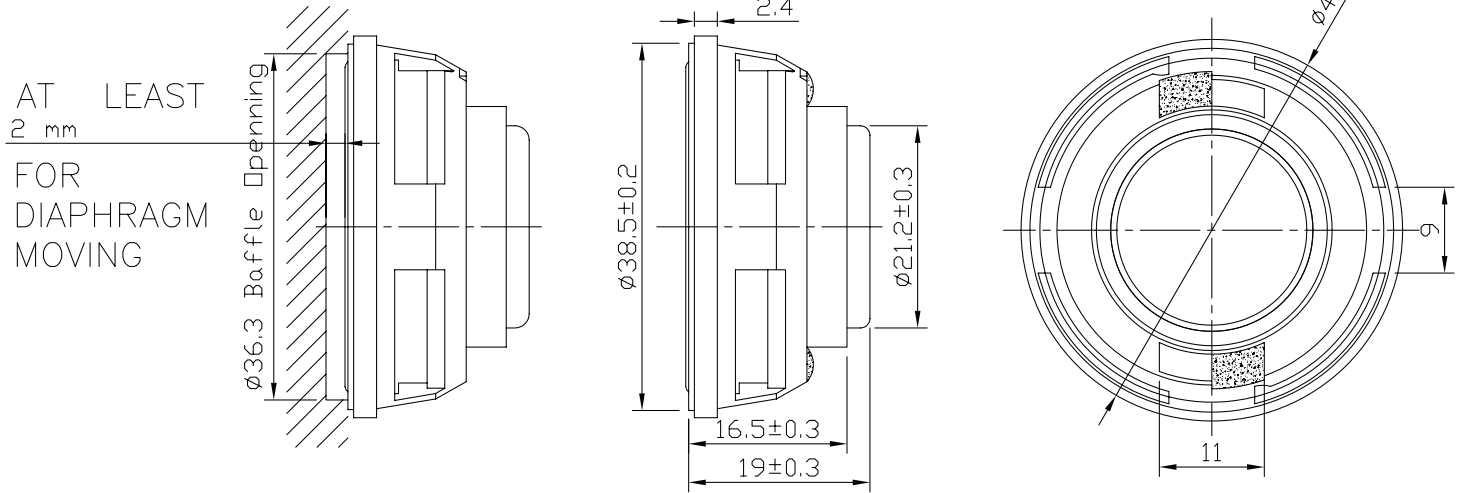
parameter	conditions/description	min	typ	max	units
input power			3.0	4.0	W
impedance		6.8	8	9.2	$\Omega$
resonant frequency (Fo)		136	170	204	Hz
frequency response		120		15,000	Hz
sound pressure level	at 1.0 W, 50 cm, avg 0.6, 0.8, 1.0, 1.2 kHz	83	86	89	dB
distortion	at 1.0 kHz, 1.0 W			5	%
buzz, rattle, etc.	must be normal at sine wave, frequency range			4.9	V
polarity	cone moves forward w/ positive dc current to "+" terminal				
dimensions	$\varnothing 38.5 \times 19$				mm
magnet	Nd-Fe-B				
frame material	ABS + 15% FG				
cone material	foam + paper				
terminal	solder pads				
weight			13.5		g
operating temperature		-20		55	$^{\circ}\text{C}$
storage temperature		-25		60	$^{\circ}\text{C}$
hand soldering	for maximum 2 seconds	360		380	$^{\circ}\text{C}$
RoHS	yes				

Notes: 1. All specifications measured at 15-35 $^{\circ}\text{C}$ , humidity at 25-75%, unless otherwise noted.

## MECHANICAL DRAWING

units: mm  
tolerance:  $\pm 0.2$  mm

### MOUNTING NOTICE



## RESPONSE CURVES

### Frequency Response Curve

Test Conditions: 2.83 V / 50 cm

