

**MODEL:** CMS-4017-34SP | **DESCRIPTION:** SPEAKER**FEATURES**

- 4 ohm
- rated 3.0 W
- solder terminals

**SPECIFICATIONS**

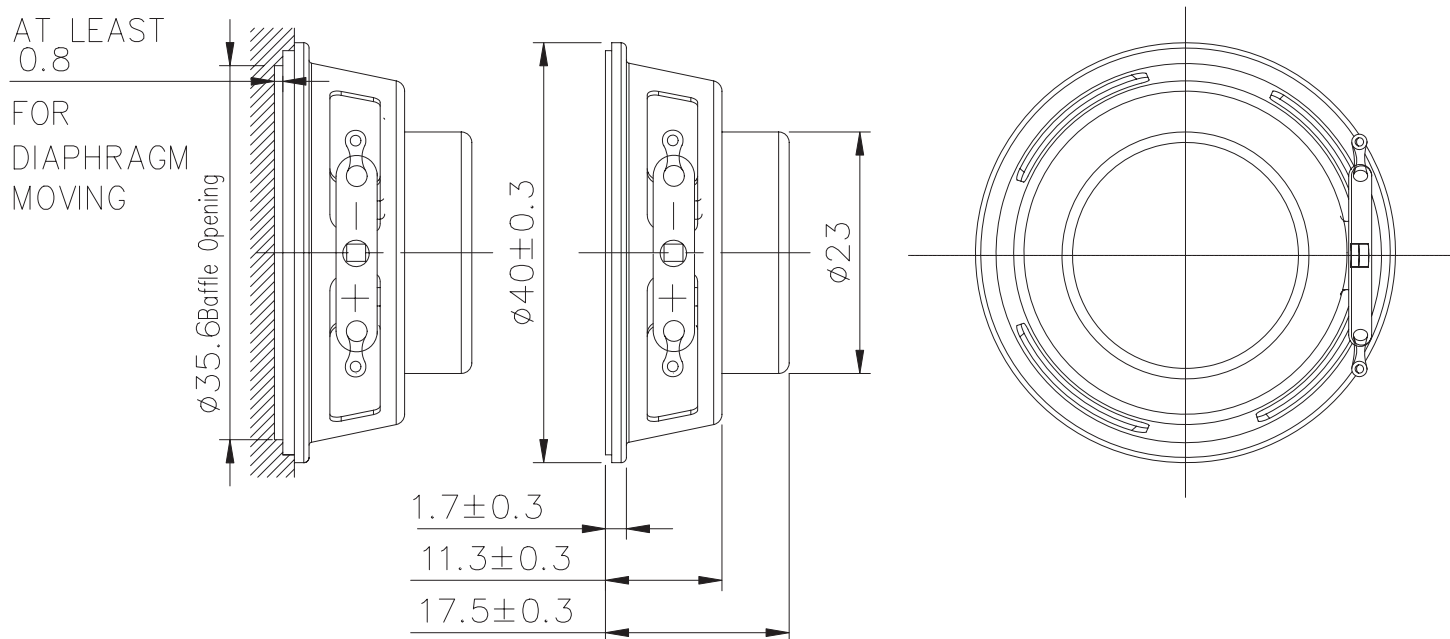
parameter	conditions/description	min	typ	max	units
input power			3.0	4.0	W
impedance		3.4	4	4.6	$\Omega$
resonant frequency (Fo)		184	230	276	Hz
frequency response		Fo		20,000	Hz
sound pressure level	at 1.0 W, 50 cm, avg 0.8, 1.0, 1.2, 1.5 kHz on baffle	83	86	89	dB
distortion	at 1.0 kHz, 1.0 W, 50 cm on baffle			5	%
buzz, rattle, etc.	must be normal at sine wave, frequency range			3.46	V
polarity	cone moves forward w/ positive dc current to "+" terminal				
dimensions	$\varnothing$ 40 x 17.5				mm
magnet	Nd-Fe-B				
frame material	iron				
cone material	aluminum + PU				
terminal	solder terminals				
weight			25		g
operating temperature		-20		55	$^{\circ}$ C
storage temperature		-25		60	$^{\circ}$ C
hand soldering	for maximum 2 seconds	360		380	$^{\circ}$ C
RoHS	yes				

Notes: 1. All specifications measured at 15-35 $^{\circ}$ C, humidity at 25-75%, unless otherwise noted.

## MECHANICAL DRAWING

units: mm  
tolerance:  $\pm 0.3$  mm

### MOUNTING NOTICE



## RESPONSE CURVES

### Frequency Response Curve

Test Conditions: 2.0 V / 50 cm

