

**MODEL:** CMS-405-158N-67 | **DESCRIPTION:** SPEAKER**FEATURES**

- 8 ohm rated impedance
- 1.5 W rated power
- IP67 rated

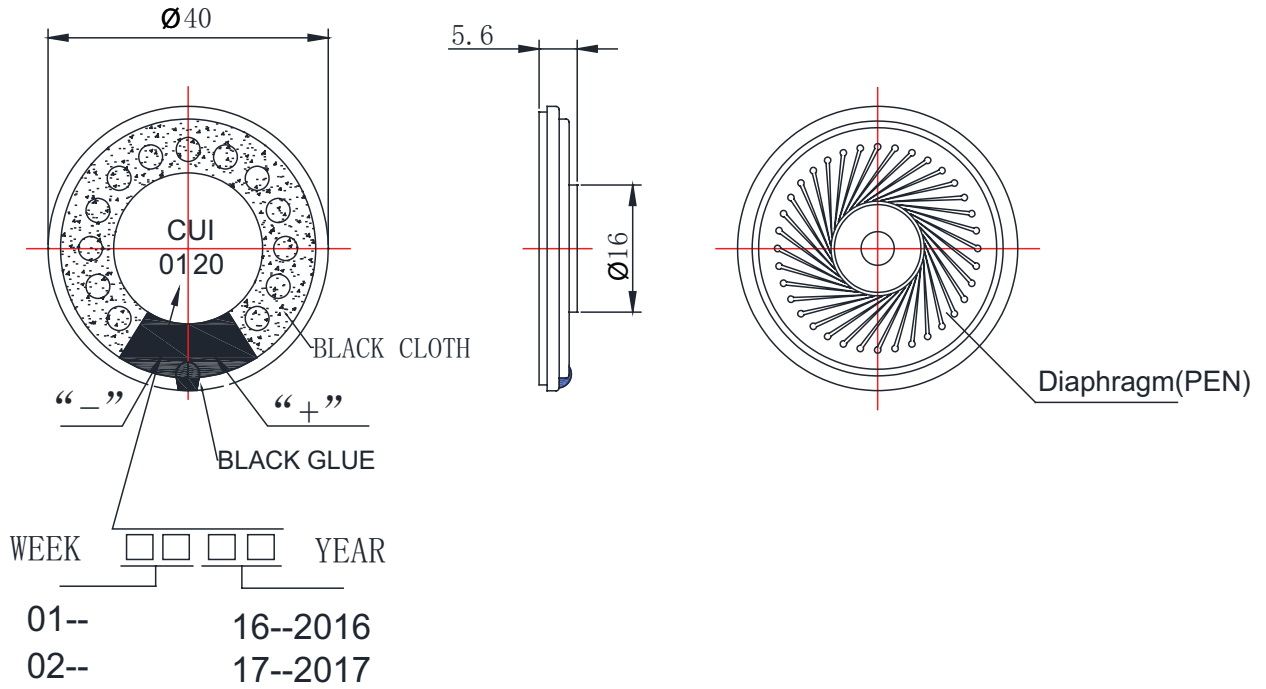
**SPECIFICATIONS**

parameter	conditions/description	min	typ	max	units
input power	IEC-60268-5, filter 60 seconds on, 120 seconds off, 10 cycles (room temp)		1.5	2.0	W
impedance	at 2.0 kHz, 1.0 V	6.8	8	9.2	$\Omega$
resonant frequency (Fo)	at 1.0 V	680	850	1,020	Hz
frequency response		Fo		20,000	Hz
sound pressure level	at 1.5 W, 10 cm, avg at 2.0 kHz	100	103	106	dB
distortion	at 1.0 kHz, rated power, 10 cm			10	%
buzz, rattle, etc.	must be normal at sine wave, Fo~8 kHz			3.46	V
polarity	cone moves forward w/ positive dc current to "+" terminal				
dimensions	$\varnothing$ 40 x 5.6				mm
magnet	Nd-Fe-B				
frame material	SPCC				
cone material	PEN				
terminal	solder pads				
weight			8.5		g
operating temperature		-20		60	$^{\circ}$ C
storage temperature		-30		70	$^{\circ}$ C
hand soldering	for maximum 3 seconds	370	380	390	$^{\circ}$ C
RoHS	yes				
IP level	IP67 (front side)				

Notes: 1. All specifications measured at 5~35 $^{\circ}$ C, humidity at 45~85%, under 86~106 kPa pressure, unless otherwise noted.

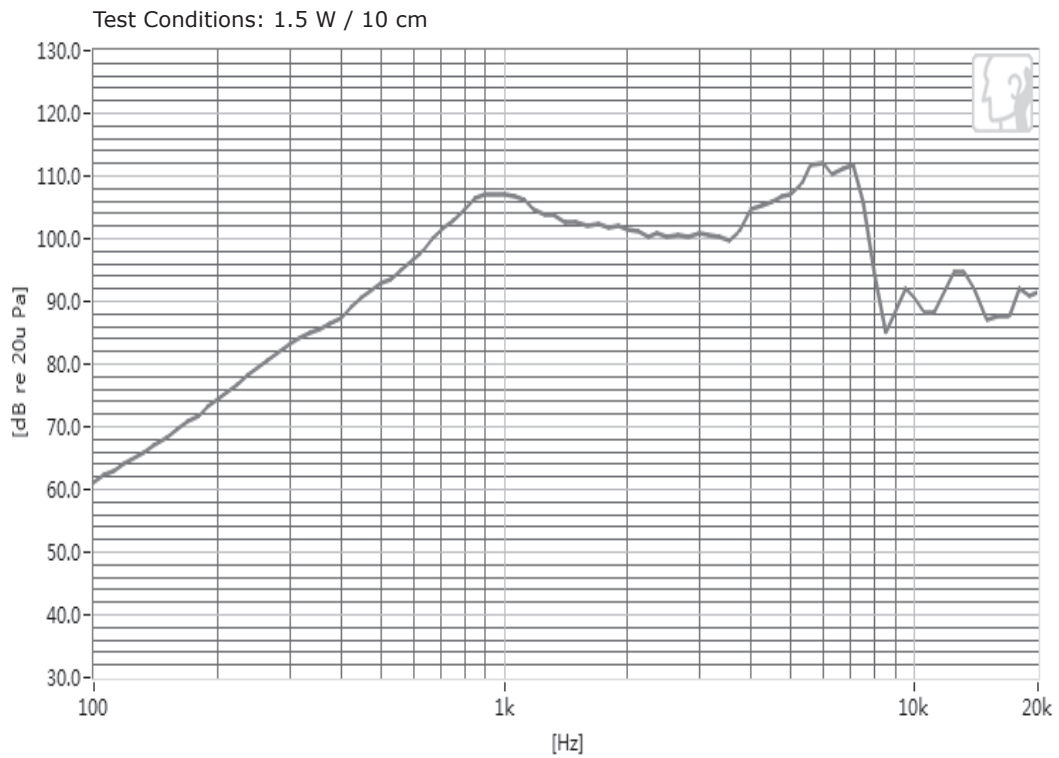
## MECHANICAL DRAWING

units: mm  
tolerance: ±0.5 mm

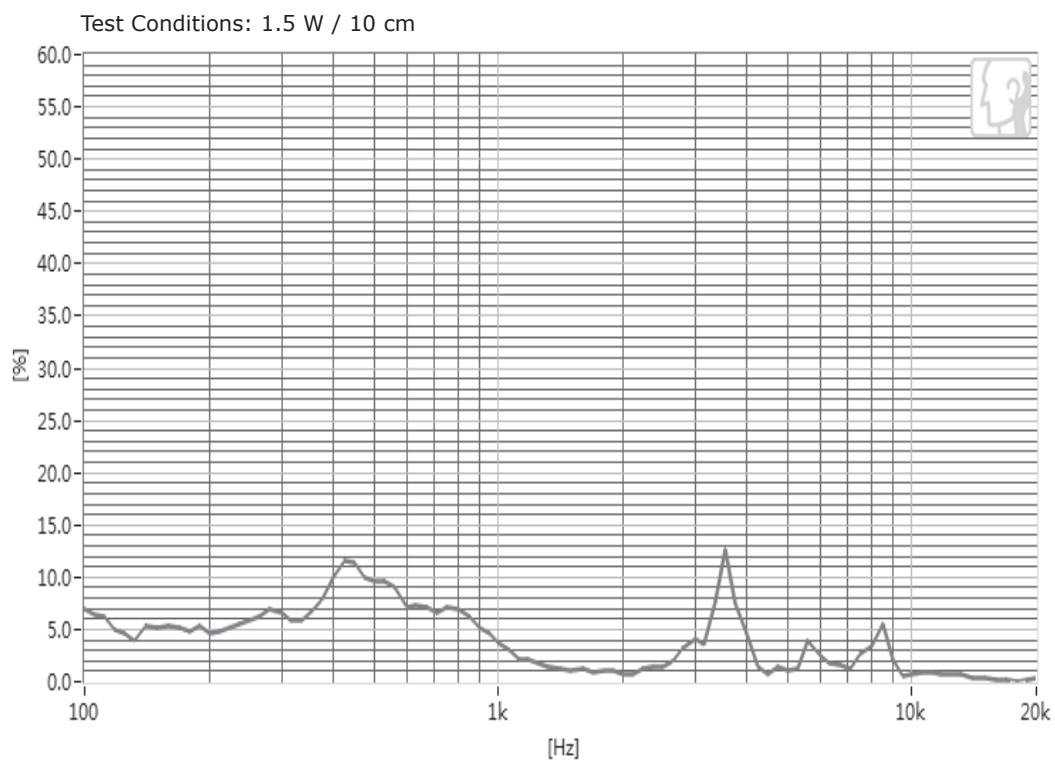


## RESPONSE CURVES

### Frequency Response Curve



### Total Harmonic Distortion Curve



## PACKAGING

units: mm

Tray Size: 350 x 280 x 12 mm  
 Tray QTY: 42 pcs per tray  
 Carton Size: 360 x 360 x 290 mm  
 Carton QTY: 1,008 pcs per carton

