

MODEL: CMS-4052-0550SP | **DESCRIPTION:** SPEAKER**FEATURES**

- 50 ohm
- rated 0.5 W
- solder pads

**SPECIFICATIONS**

| parameter | conditions/description | min | typ | max | units |
|-------------------------|---|------|-----|-------|--------------------|
| input power | | | 0.5 | 1.0 | W |
| impedance | | 42.5 | 50 | 57.5 | Ω |
| resonant frequency (Fo) | | 280 | 350 | 420 | Hz |
| frequency response | | Fo | | 3,600 | Hz |
| sound pressure level | at 1.0 W, 50 cm, avg 0.8, 1.0, 1.2, 1.5 kHz | 87 | 90 | 93 | dB |
| distortion | at 1.0 kHz, 1.0 W, 50 cm | | | 3 | % |
| buzz, rattle, etc. | must be normal at sine wave, frequency range | | | 5.0 | V |
| polarity | cone moves forward w/ positive dc current to "+" terminal | | | | |
| dimensions | $\varnothing 40 \times 5.2$ | | | | mm |
| magnet | Nd-Fe-B | | | | |
| frame material | iron | | | | |
| cone material | PEN | | | | |
| terminal | solder pads | | | | |
| weight | | | 9.3 | | g |
| operating temperature | | -20 | | 55 | $^{\circ}\text{C}$ |
| storage temperature | | -25 | | 60 | $^{\circ}\text{C}$ |
| hand soldering | for maximum 2 seconds | 360 | | 380 | $^{\circ}\text{C}$ |
| RoHS | yes | | | | |

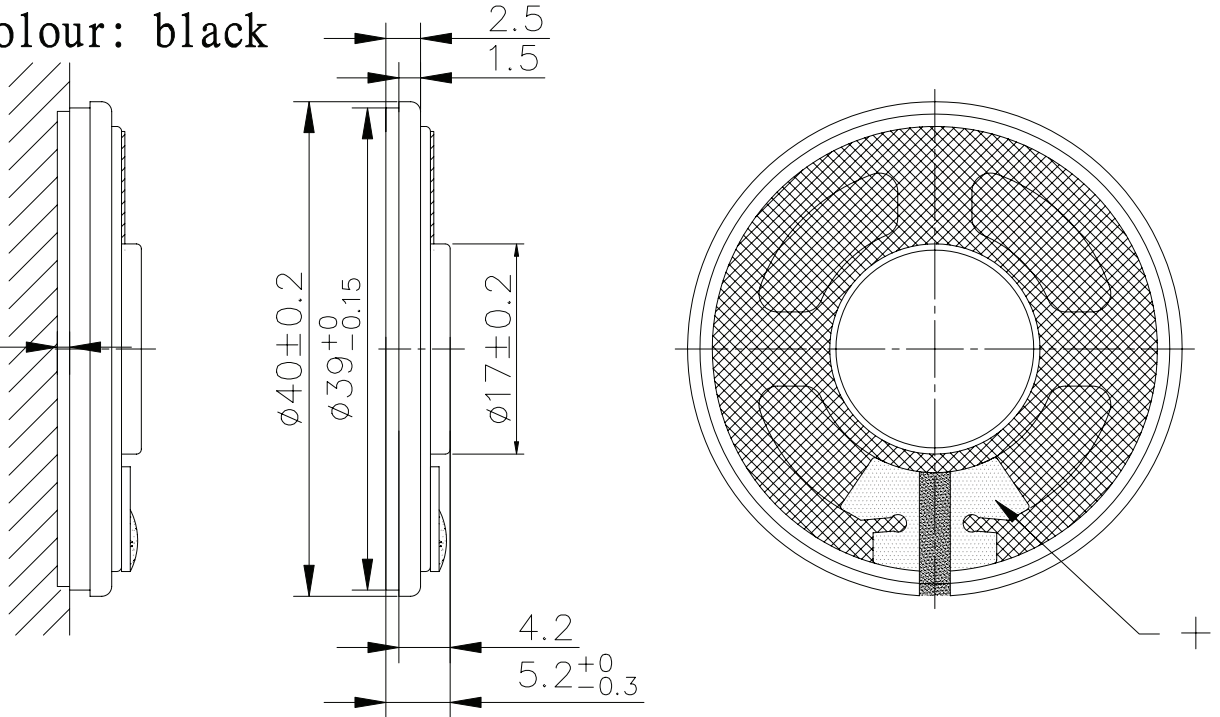
Notes: 1. All specifications measured at 15-35 $^{\circ}\text{C}$, humidity at 25-75%, unless otherwise noted.

MECHANICAL DRAWING

units: mm
tolerance: ± 0.2 mm

membrane colour: black

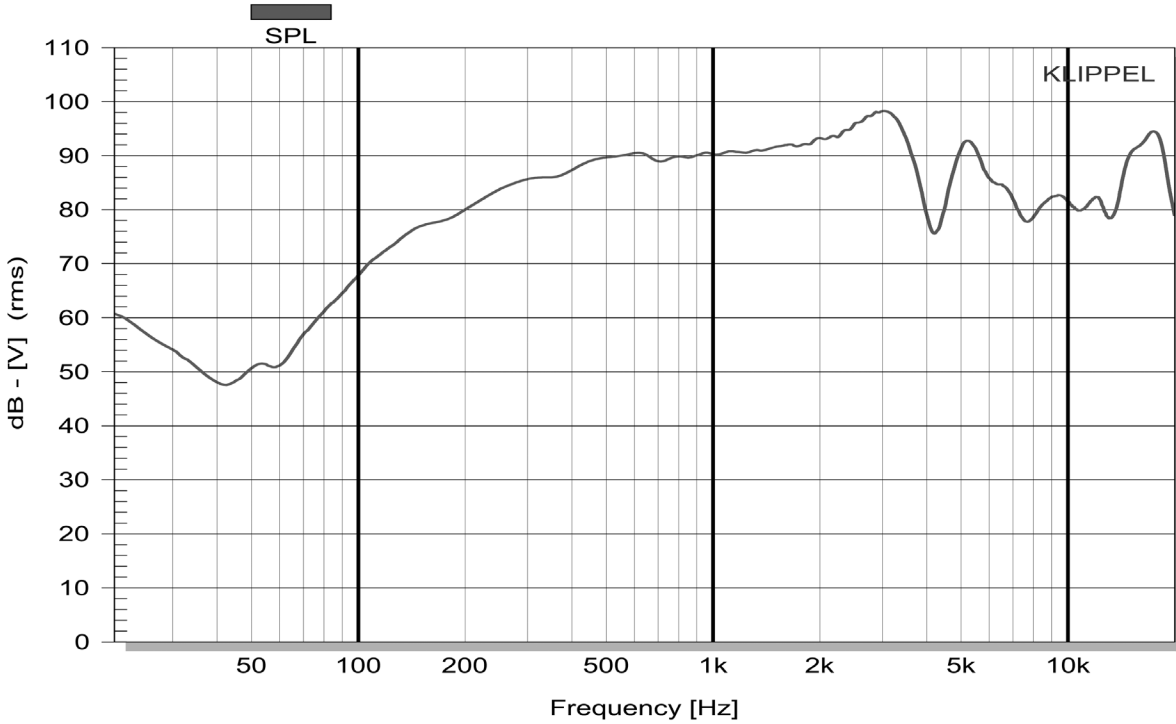
AT LEAST
1.0mm
FOR
DIAPHRAGM
MOVING



RESPONSE CURVES

Frequency Response Curve

Test Conditions: 7.07 V / 50 cm



Total Harmonic Distortion Curve

Test Conditions: 7.07 V / 50 cm

