

MODEL: CMS0201KLX | **DESCRIPTION:** SPEAKER**FEATURES**

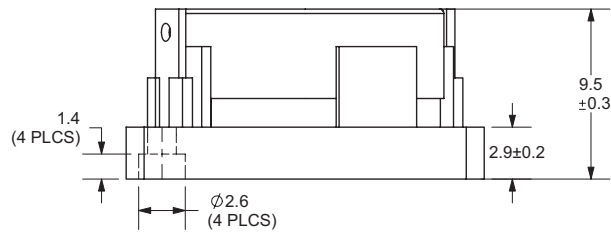
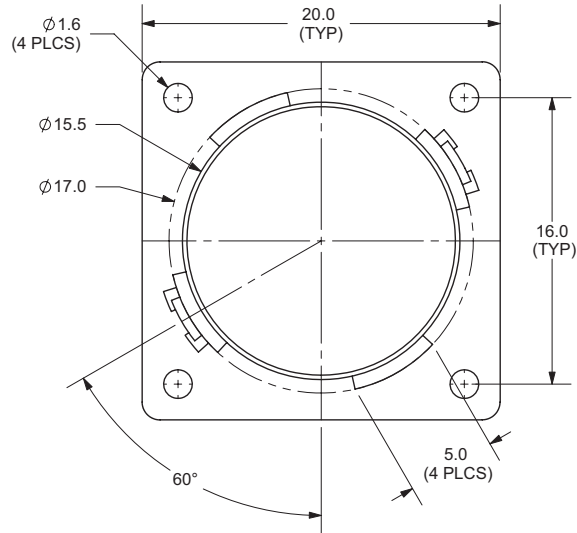
- 20 mm
- square frame
- 2.0 W
- 8 Ω
- neodymium magnet
- paper cone

**SPECIFICATIONS**

| parameter | conditions/description | min | typ | max | units |
|-------------------------|--|-----|-----|--------|--------------|
| input power | | | 2.0 | 4.0 | W |
| impedance | at 1.0 kHz, 1.0 V | 6.8 | 8 | 9.2 | Ω |
| resonant frequency (Fo) | at 1.0 V | 640 | 800 | 960 | Hz |
| frequency response | | Fo | | 20,000 | Hz |
| sound pressure level | at 1.0 W, 50 cm, avg at 1.0, 1.2, 1.5, 2.0 kHz | 77 | 80 | 83 | dB |
| buzz, rattle, etc. | must be normal at sine wave | | | 4 | V |
| dimensions | 20 x 20 x 9.5 | | | | mm |
| magnet | Nd-Fe-B | | | | |
| cone material | paper | | | | |
| terminal | solder eyelets | | | | |
| weight | | | 6.5 | | g |
| operating temperature | | -25 | | 60 | $^{\circ}$ C |
| hand soldering | for maximum 3 seconds | 340 | 350 | 360 | $^{\circ}$ C |
| RoHS | yes | | | | |

MECHANICAL DRAWING

units: mm



FREQUENCY RESPONSE CURVE

| parameter | conditions/description |
|-----------------------|------------------------|
| potentiometer range | 50 dB |
| rectifier | RMS |
| lower limit frequency | 20 Hz |
| wr. speed | 100 mm/sec |
| zero level | 50 dB |

