

**MODEL:** CMS0461KLX | **DESCRIPTION:** SPEAKER**FEATURES**

- 46 x 46 mm
- square frame
- 2.0 W
- 8  $\Omega$
- neodymium magnet
- paper cone

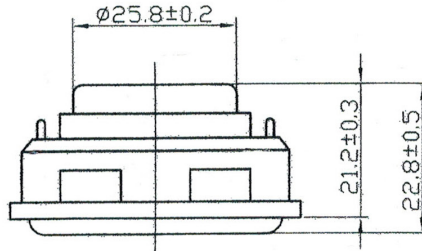
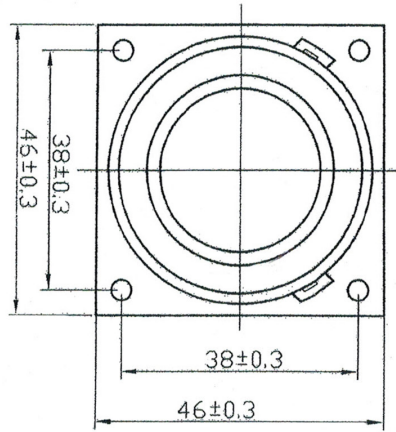
**SPECIFICATIONS**

parameter	conditions/description	min	typ	max	units
input power			2.0	4.0	W
impedance	at 1.0 kHz, 1.0 V	6.8	8	9.2	$\Omega$
resonant frequency (Fo)	at 1.0 V	128	160	192	Hz
frequency response		Fo		18,000	Hz
sound pressure level	1.0 W, 50 cm, avg. at 0.5, 0.6, 0.8, 1.0 kHz	85	88	91	dB
distortion	at 1,000 Hz, 1 W			5	%
buzz, rattle, etc.	must be normal at sine wave			4.0	V
dimensions	46 x 46 x 22.8				mm
magnet	Nd-Fe-B				
cone material	paper				
terminal	solder eyelets				
weight			33.8		g
operating temperature		-25		55	$^{\circ}\text{C}$
hand soldering	for maximum 3 seconds	340	350	360	$^{\circ}\text{C}$
RoHS	yes				

Notes: 1. All specifications measured at 15~35 $^{\circ}\text{C}$ , humidity at 25~75%, under 86~106 kPa pressure, unless otherwise noted.

## MECHANICAL DRAWING

units: mm  
tolerance:  $\pm 0.5$  mm



## FREQUENCY RESPONSE CURVE

parameter	conditions/description
potentiometer range	50 dB
rectifier	RMS
lower limit frequency	20 Hz
wr. speed	100 mm/sec
zero level	60 dB

