



CMS38606

Assembly and Installation Instructions

Please read all instructions carefully before attempting to install and use this product.

SPECIFICATIONS

PARAMETER	PERFORMANCE
Laird Model Number	CMS38606-30NF
Frequency	380-520MHz 600-690MHz 1395-1435MHz 1690-6000MHz
VSWR 380-520MHz	3.0:1 Max
VSWR 698-960, 1710-6000MHz	2.0:1 Max
Typical Max Gain	2.6dBi @ 380-520MHz 3.1dBi @ 600-960MHz 5.8dBi @ 1395-1435MHz 7.3 dBi @ 1690-6000MHz
Polarization	Vertical
Impedance	50Ω
Power	50W @ ambient temp 25o C (77oF)
RF Connector	Type N(f)
Radome Color	White
Operating Temperature	-30°C +70°C
Storage Temperature	-40°C +85°C
Water/Foreign Body Ingress	IP-67
Antenna Weight	0.8kg (1.76 lbs)

SAFETY

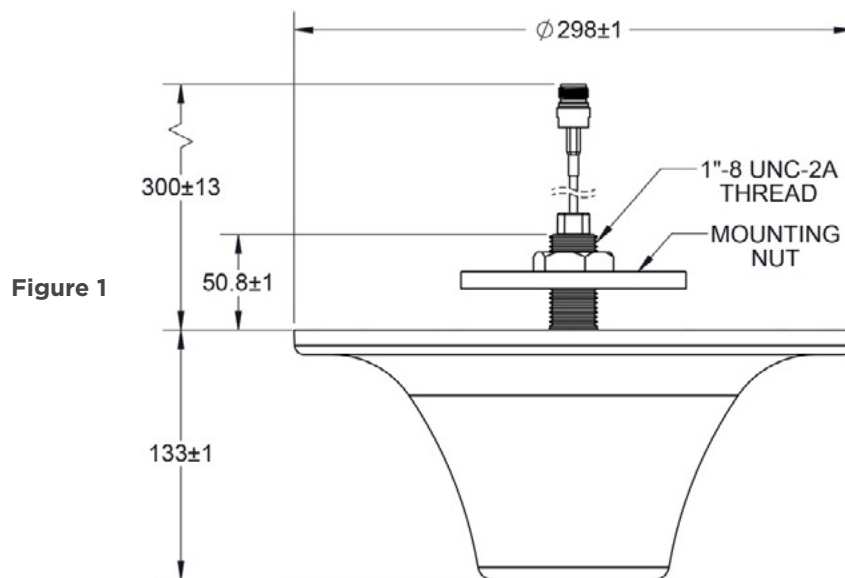
The CMS38606 and all associated equipment should be installed in accordance with all applicable local and national electrical code guidelines to ensure safe operation.

LOCATION

For the best results, mount the antenna near the center of the coverage area. A line-of-sight path between the antenna and active floor locations generally works best. Although microwave signals penetrate cubical dividers and interior walls with little attenuation, reinforced block attenuate signals or cause multipath, a condition where reflected signals interfere with the primary signal path. Avoid mounting next to a column or vertical support that could create a "shadow zone" of reduced coverage to one portion of the room.

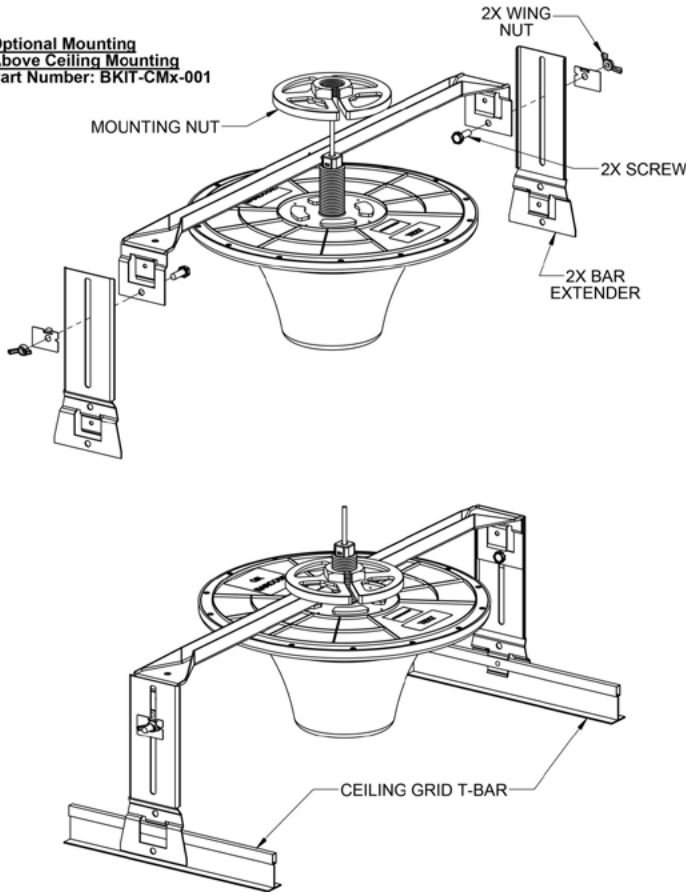
STANDARD MOUNTING

A threaded post on the back of the antenna and a supplied mounting nut are the primary mounting method when access is available to both sides of the mounting surface, such as a suspended ceiling tile. Mark the desired mounting location on the tile and cut a $\varnothing 40\text{mm}$ (1.57") hole for threaded post. Feed the cables through the hole and secure the antenna with the mounting nut. (See figure 1).

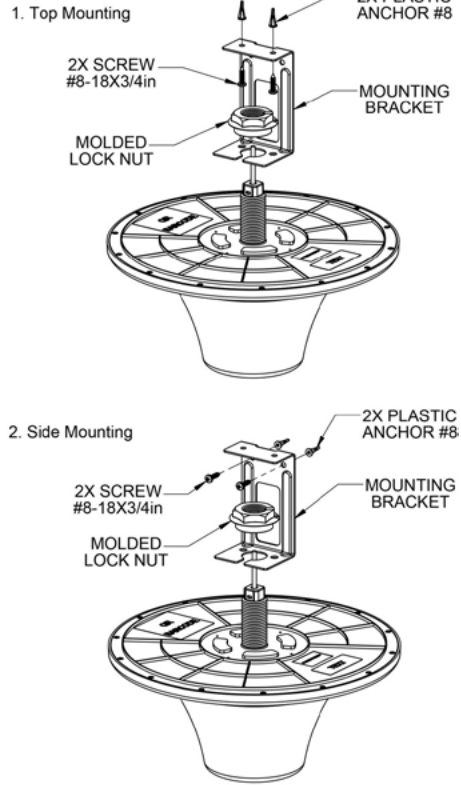


OPTIONAL MOUNTING

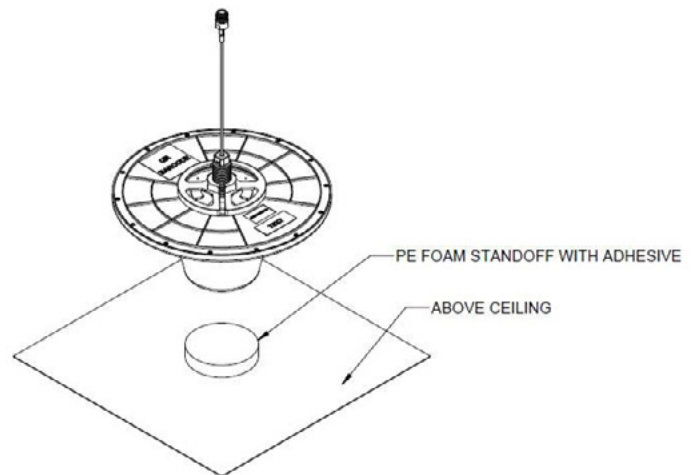
**Optional Mounting
Above Ceiling Mounting
Part Number: BKIT-CMx-001**



**Optional Mounting
Hard Ceiling Mounting
Part Number: HKIT-CMx-002**



**Optional Mounting
Above Ceiling Mounting
Part Number: HKIT-CMx-004**



Note: The optional mounting kits are **NOT INCLUDED** with the antenna; it needs to be purchased separately