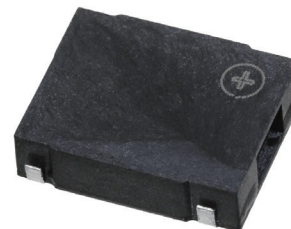
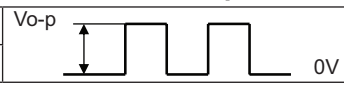


MODEL: CMT-1421-87-SMT-TR | **DESCRIPTION:** MAGNETIC BUZZER TRANSDUCER**FEATURES**

- surface mount
- low profile
- magnetic
- externally driven

**SPECIFICATIONS**

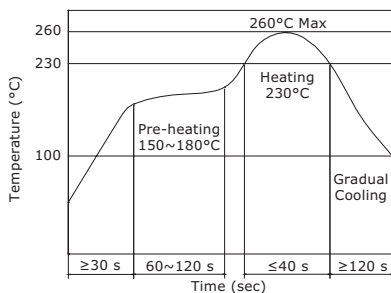
parameter	conditions/description	min	typ	max	units
rated voltage			5.0		Vo-p
operating voltage		3.0		6.0	Vo-p
current consumption	at rated voltage, 2,730 Hz, 1/2 duty square wave			80	mA
rated frequency			2,730		Hz
sound pressure level	at 10 cm, rated voltage, 2,730 Hz, 1/2 duty square wave	87	92		dB
coil resistance		40	43	46	Ω
dimensions	14 x 11 x 3.0				mm
weight			1.0		g
material	LCP				
terminal	surface mount (brass)				
operating temperature		-40		85	$^{\circ}\text{C}$
storage temperature		-40		85	$^{\circ}\text{C}$
RoHS	yes				

Notes: 1. All specifications measured at $25\pm 3^{\circ}\text{C}$, humidity at 60~70%, under 86~106 kPa pressure, unless otherwise noted.

SOLDERABILITY

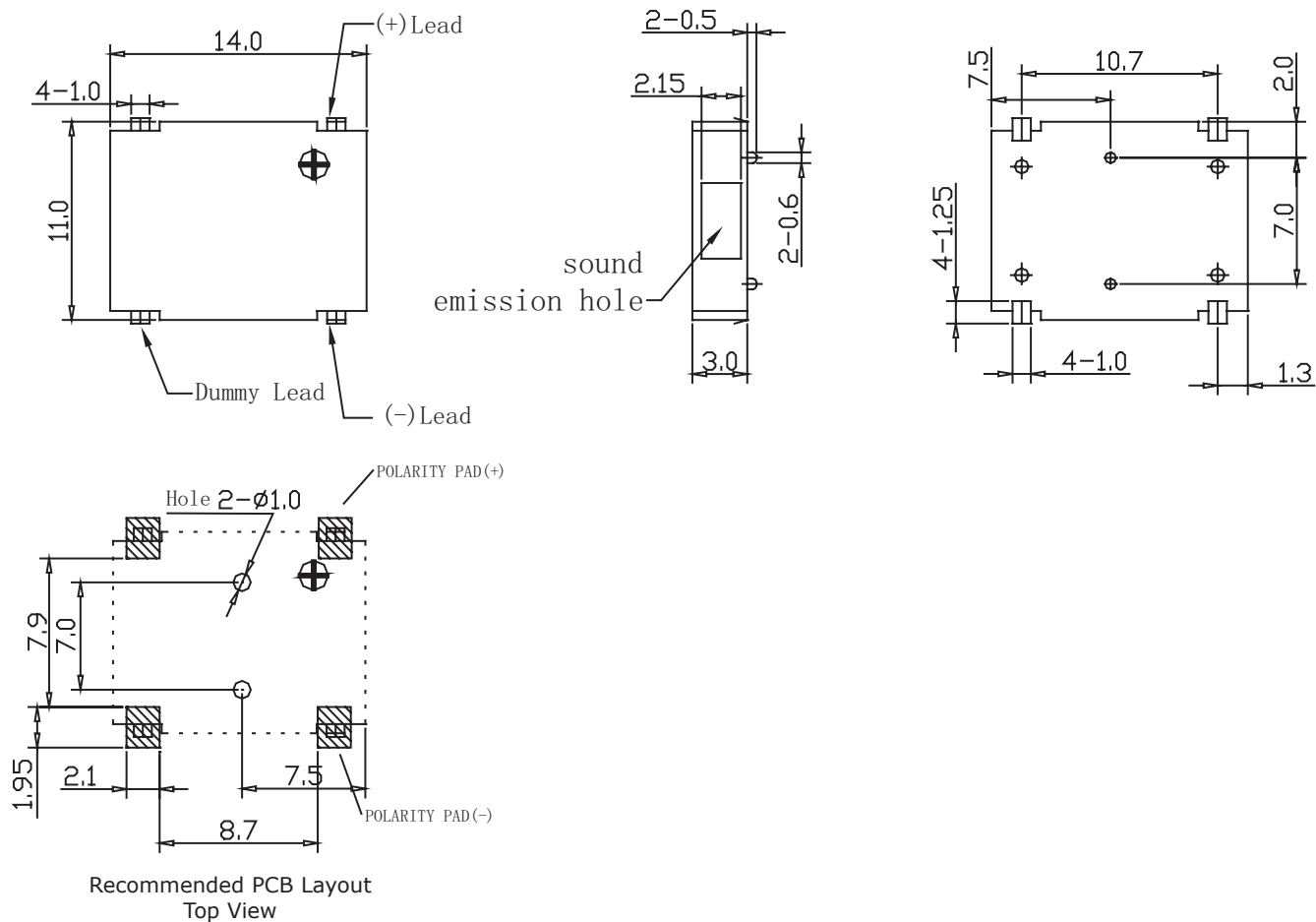
parameter	conditions/description	min	typ	max	units
reel storage	at relative humidity <60%			25	$^{\circ}\text{C}$
reflow soldering ²	see recommended reflow soldering profile			260	$^{\circ}\text{C}$
drying conditions ³	bake at 40°C for 24 hours				

Note: 2. It is recommended to reflow solder within 48 hours from opening vacuum packaging at a temperature < 30°C & relative humidity <60%.
3. When out of packaging for more than 48 hours.

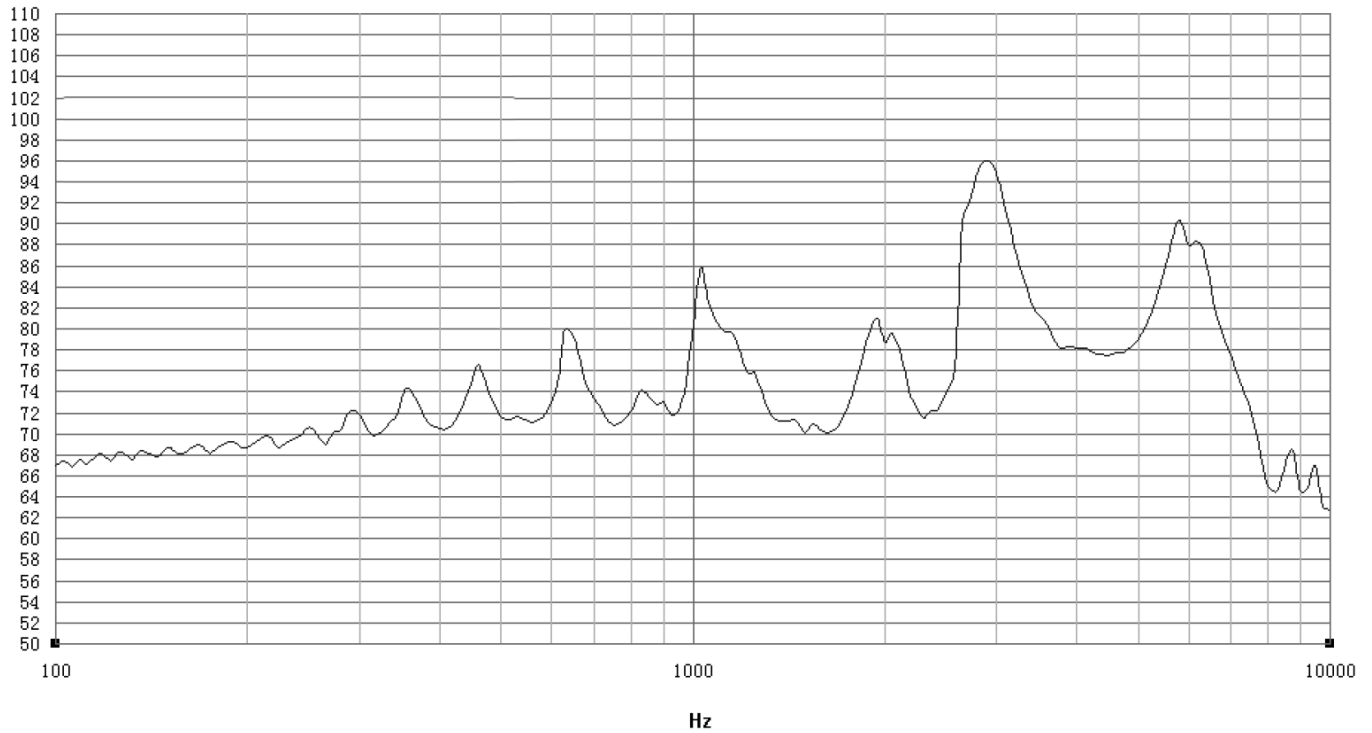


MECHANICAL DRAWING

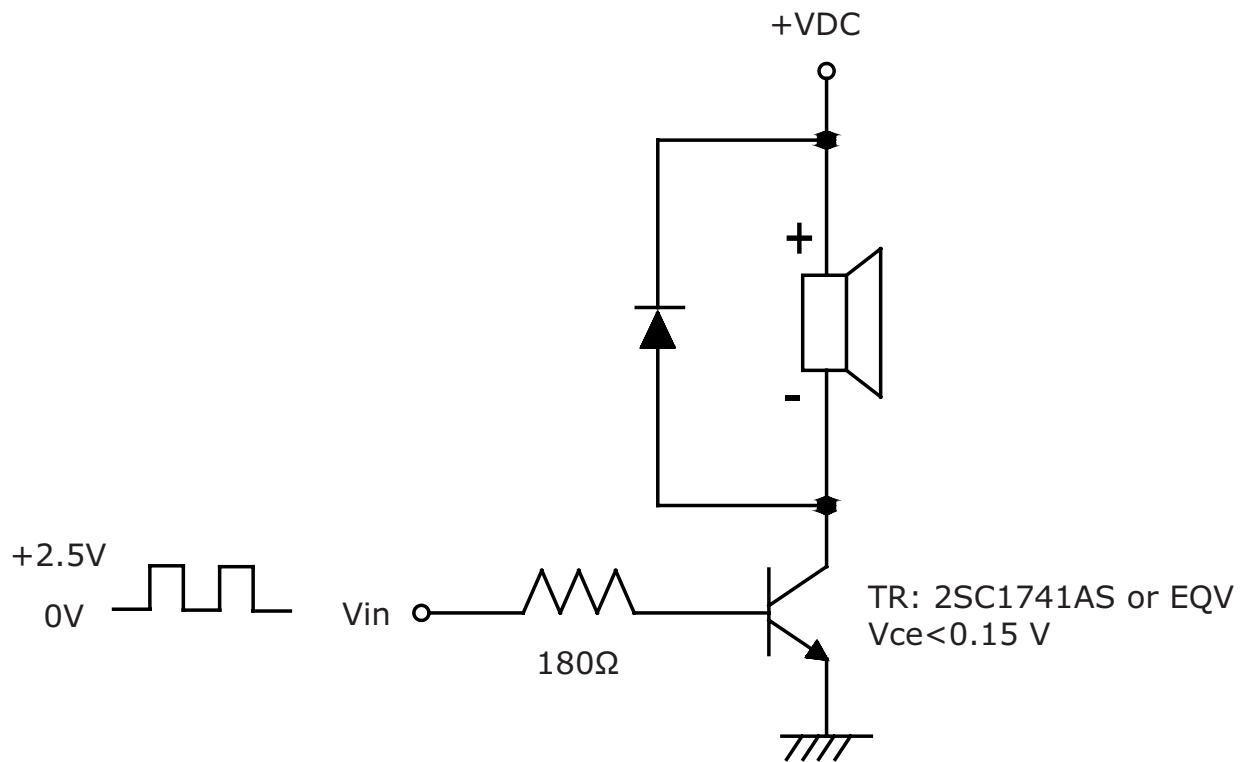
units: mm
tolerance: ± 0.5 mm



FREQUENCY RESPONSE CURVE



APPLICATION CIRCUIT



PACKAGING

units: mm

Reel Size: $\varnothing 330$ mm
Reel QTY: 1,000 pcs per reel
Carton Size: 358 x 358 x 615 mm
Carton QTY: 10,000 pcs per carton

