

## AC Under Current Monitor

### SPECIFICATIONS

<b>CONTROL VOLTAGE</b>	24 or 120 VAC/DC; 50/60 Hz	
<b>TRIP POINTS</b>	Pick-up	5% above Drop-out
	Drop-out	See order information
<b>OUTPUT</b>	DPDT, 10 Amp @ 120 VAC Resistive	
<b>HYSTERESIS</b>	5%	
<b>RESPONSE TIME</b>	Operate	0.1 SEC
	Release	0.1 to 5 SEC, Adjustable
<b>INDICATORS</b>	Glows When Current is Above Preset Current Trip Point (Style E Enclosure Only)	
<b>RESET</b>	Automatic	
<b>TEMPERATURE RATING</b>	Operate	32° to 131°F (0° to +55°C)
	Storage	-49° to 185°F (-45° to +85°C)
<b>ENCLOSURE</b>	Style A	Lexan Dust Cover; 11-pin Plug-in
	Style E	Lexan Surface Mounted: #8-32 Screw Terminals
<b>SOCKET</b>	RB-11 Socket for Style A.	
<b>WEIGHT</b>	Style A	5 oz. Style E 10.5 oz.

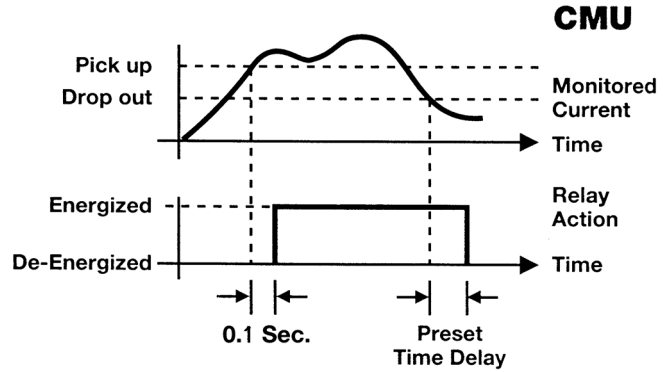
### MODEL NUMBER

<b>MODEL NUMBER</b>	CMU	120	A	S		
<b>CONTROL VOLTAGE</b>	24 or 120 VAC/DC; 50/60 Hz					
<b>TYPE OF CONTROL VOLTAGE</b>	AC/DC					
<b>ENCLOSURE STYLE</b>						A
						E
<b>CURRENT TRIP POINTS</b>						
	0.05 to 0.25 amp adj.					.25
	0.2 to 1 amp adj.					1
	1.0 to 5.0 amps adj.					5
	2.0 to 10 amps adj.					10
	4.0 to 20 amps adj. (E Housing Only)					20

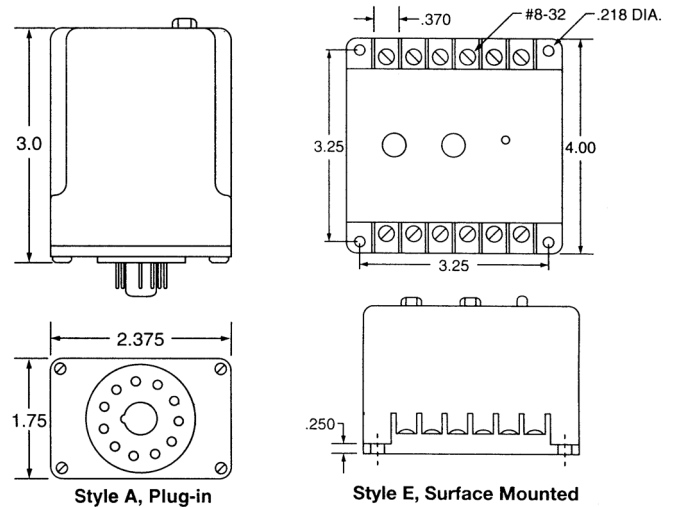
### OPERATION

The **CMU Series** is used to detect **UNDER CURRENT** conditions. The internal relay is energized (Pick-up) when the monitored current is above the preset trip point. The relay de-energizes (Drop-out) when the current falls below the trip point for longer than the adjustable delay. The delay is incorporated to prevent nuisance tripping caused by momentary line dips. The relay re-energizes when the current rises 5% above the Drop-out trip point for longer than 0.1 seconds. The relay has the automatic reset feature.

An external CT may be used to extend the range of the Current Monitor.



### DIMENSIONS (INCHES)



### WIRING

