

AC Under Current Monitor

SPECIFICATIONS

| | | |
|---------------------------|--|---|
| CONTROL VOLTAGE | 24 or 120 VAC/DC; 50/60 Hz | |
| TRIP POINTS | Pick-up | 5% above Drop-out |
| | Drop-out | See order information |
| OUTPUT | DPDT, 10 Amp @ 120 VAC Resistive | |
| HYSTERESIS | 5% | |
| RESPONSE TIME | Operate | 0.1 SEC |
| | Release | 0.1 to 5 SEC, Adjustable |
| INDICATORS | Glows When Current is Above Preset Current Trip Point (Style E Enclosure Only) | |
| RESET | Automatic | |
| TEMPERATURE RATING | Operate | 32° to 131°F (0° to +55°C) |
| | Storage | -49° to 185°F (-45° to +85°C) |
| ENCLOSURE | Style A | Lexan Dust Cover; 11-pin Plug-in |
| | Style E | Lexan Surface Mounted: #8-32 Screw Terminals |
| SOCKET | RB-11 Socket for Style A. | |
| WEIGHT | Style A | 5 oz. |
| | Style E | 10.5 oz. |

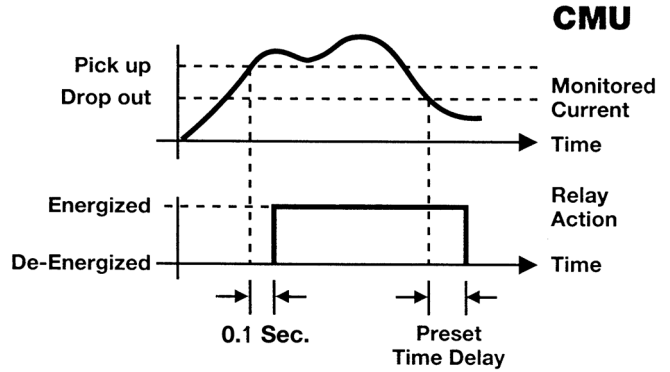
MODEL NUMBER

| | | | | | | |
|--------------------------------|--------------------------------------|-----|---|---|--|-----|
| MODEL NUMBER | CMU | 120 | A | S | | |
| CONTROL VOLTAGE | 24 or 120 VAC/DC; 50/60 Hz | | | | | |
| TYPE OF CONTROL VOLTAGE | AC/DC | | | | | |
| ENCLOSURE STYLE | Plug-In | | | | | A |
| | Surface Mount | | | | | E |
| CURRENT TRIP POINTS | 0.05 to 0.25 amp adj. | | | | | .25 |
| | 0.2 to 1 amp adj. | | | | | 1 |
| | 1.0 to 5.0 amps adj. | | | | | 5 |
| | 2.0 to 10 amps adj. | | | | | 10 |
| | 4.0 to 20 amps adj. (E Housing Only) | | | | | 20 |

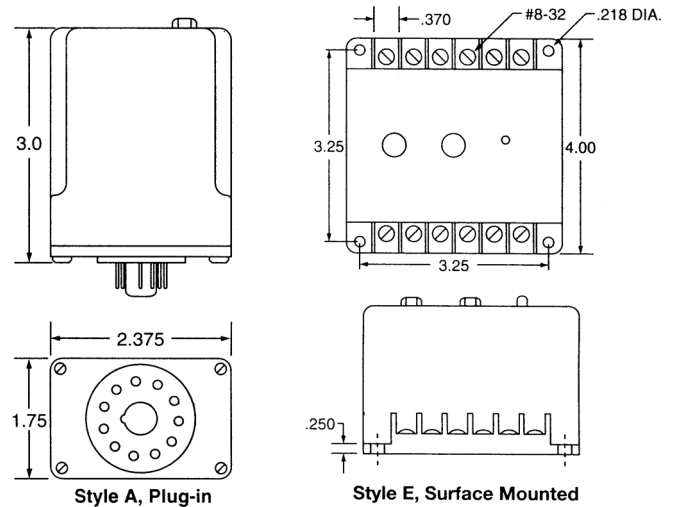
OPERATION

The **CMU Series** is used to detect **UNDER CURRENT** conditions. The internal relay is energized (Pick-up) when the monitored current is above the preset trip point. The relay de-energizes (Drop-out) when the current falls below the trip point for longer than the adjustable delay. The delay is incorporated to prevent nuisance tripping caused by momentary line dips. The relay re-energizes when the current rises 5% above the Drop-out trip point for longer than 0.1 seconds. The relay has the automatic reset feature.

An external CT may be used to extend the range of the Current Monitor.



DIMENSIONS (INCHES)



WIRING

