

AC Under Current Monitor

SPECIFICATIONS

CONTROL VOLTAGE	24 or 120 VAC/DC; 50/60 Hz	
TRIP POINTS	Pick-up	5% above Drop-out
	Drop-out	See order information
OUTPUT	DPDT, 10 Amp @ 120 VAC Resistive	
HYSTERESIS	5%	
RESPONSE TIME	Operate	0.1 SEC
	Release	0.1 to 5 SEC, Adjustable
INDICATORS	Glows When Current is Above Preset Current Trip Point (Style E Enclosure Only)	
RESET	Automatic	
TEMPERATURE RATING	Operate	32° to 131°F (0° to +55°C)
	Storage	-49° to 185°F (-45° to +85°C)
ENCLOSURE	Style A	Lexan Dust Cover; 11-pin Plug-in
	Style E	Lexan Surface Mounted: #8-32 Screw Terminals
SOCKET	RB-11 Socket for Style A.	
WEIGHT	Style A	5 oz.
	Style E	10.5 oz.

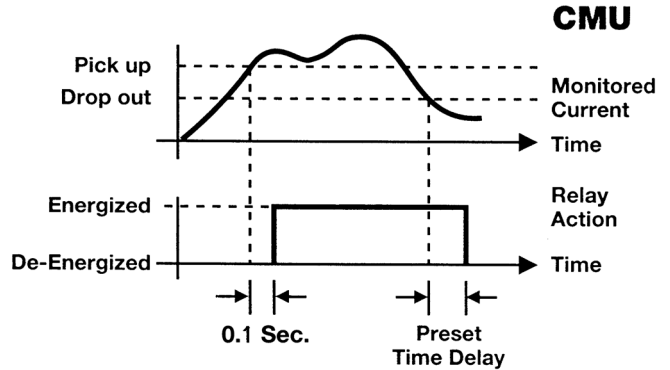
MODEL NUMBER

MODEL NUMBER	CMU	120	A	S		
CONTROL VOLTAGE	24 or 120 VAC/DC; 50/60 Hz					
TYPE OF CONTROL VOLTAGE	AC/DC					
ENCLOSURE STYLE						A
	Plug-In					E
	Surface Mount					
CURRENT TRIP POINTS						
	0.05 to 0.25 amp adj.					.25
	0.2 to 1 amp adj.					1
	1.0 to 5.0 amps adj.					5
	2.0 to 10 amps adj.					10
	4.0 to 20 amps adj. (E Housing Only)					20

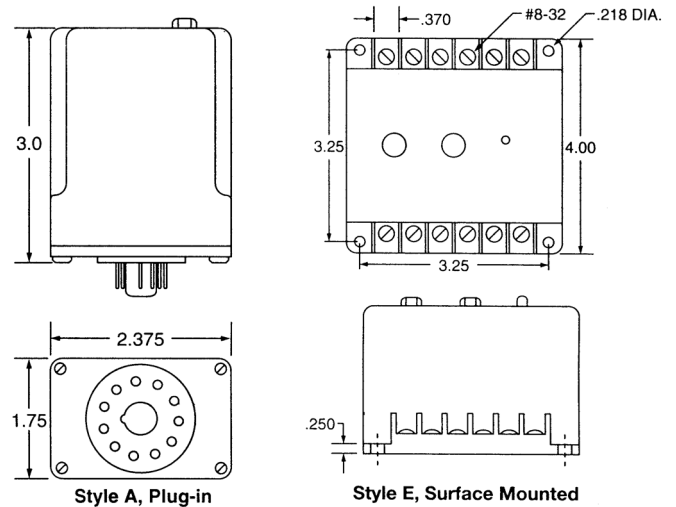
OPERATION

The **CMU Series** is used to detect **UNDER CURRENT** conditions. The internal relay is energized (Pick-up) when the monitored current is above the preset trip point. The relay de-energizes (Drop-out) when the current falls below the trip point for longer than the adjustable delay. The delay is incorporated to prevent nuisance tripping caused by momentary line dips. The relay re-energizes when the current rises 5% above the Drop-out trip point for longer than 0.1 seconds. The relay has the automatic reset feature.

An external CT may be used to extend the range of the Current Monitor.



DIMENSIONS (INCHES)



WIRING

