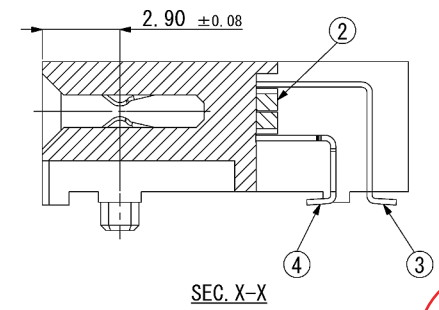
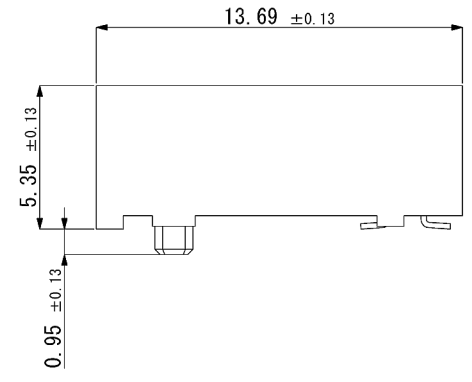
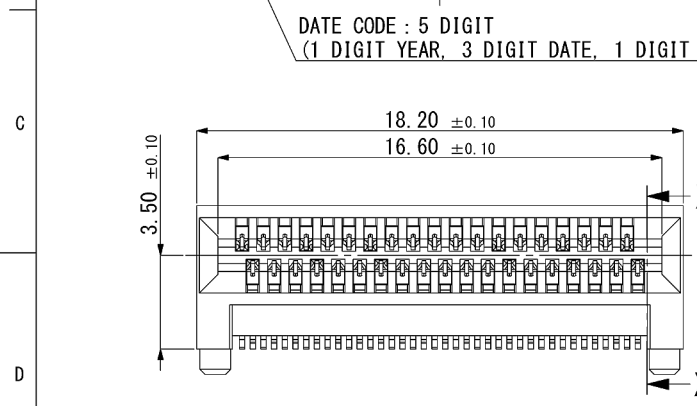
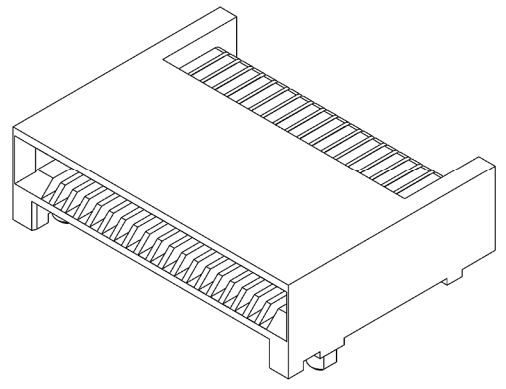
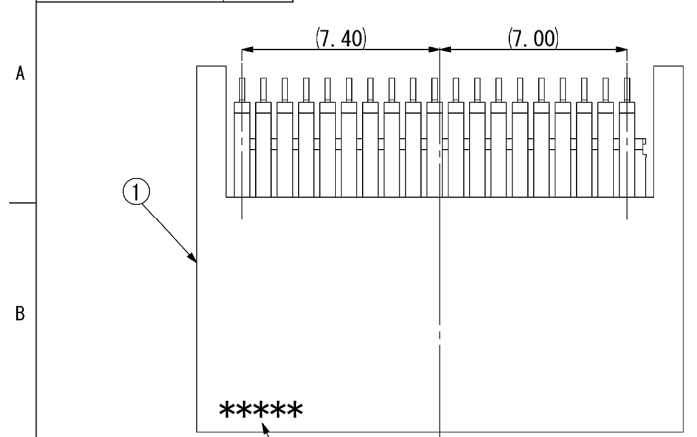
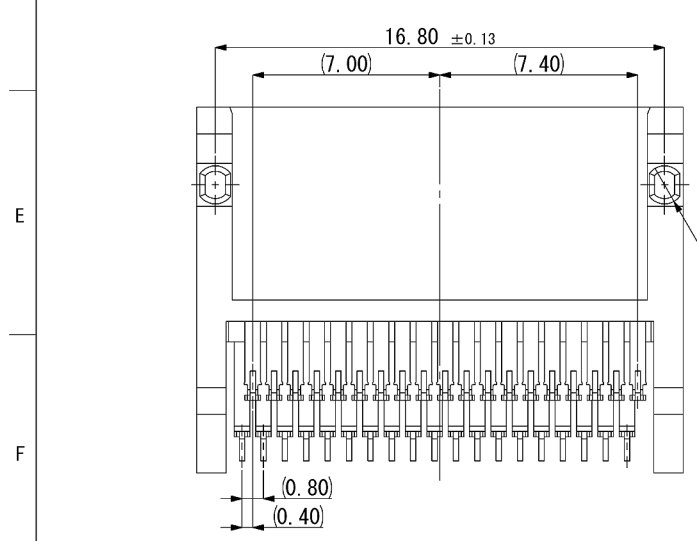


記号x数	変更内容	REVISION DESCRIPTION	承認	検図	担当	年月日	変更通知書No.
△ x							
△ x							
△ x							
△ x							
△ x							



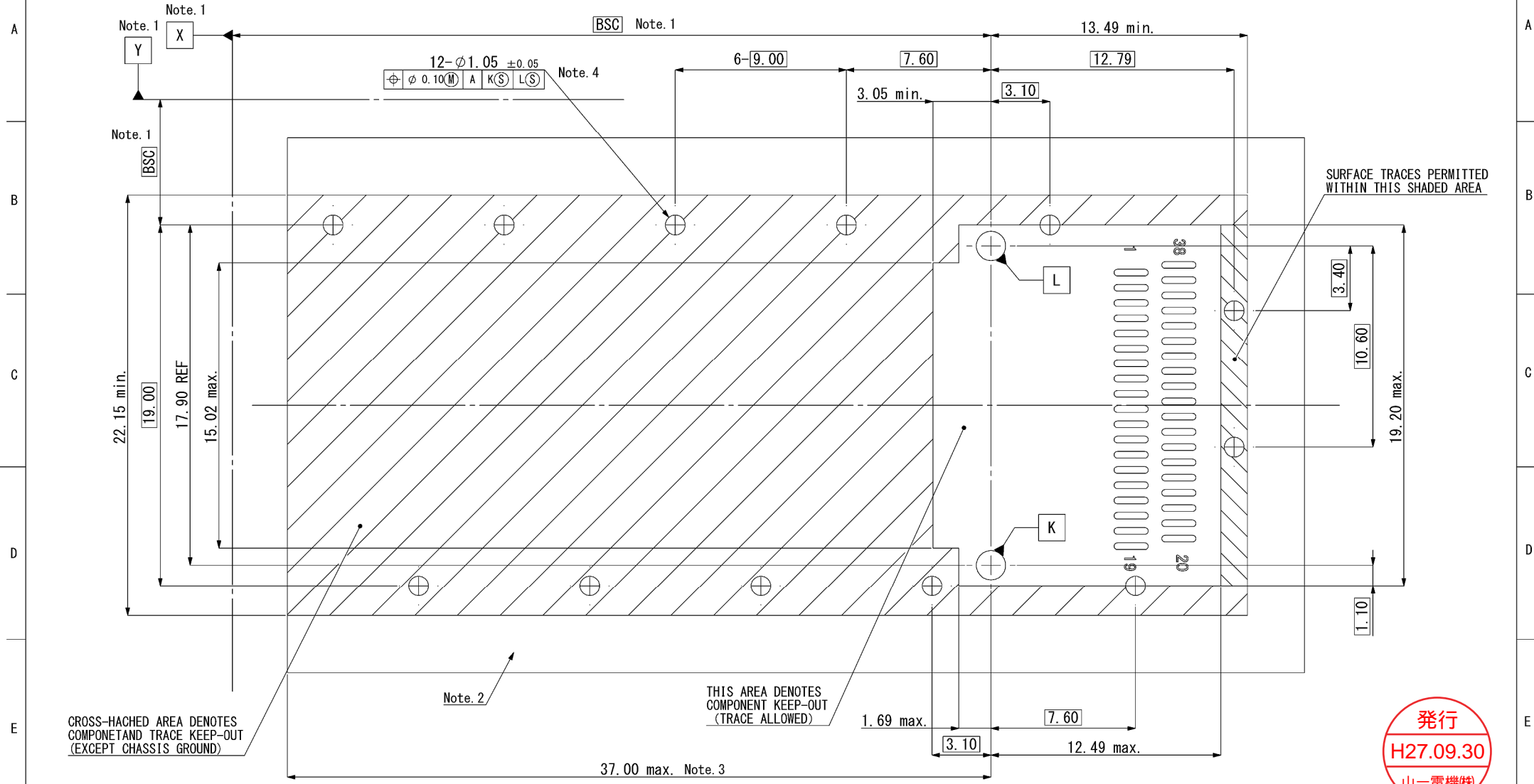
発行
H27.09.30
山一電機株



4	Contact (Lower)	19	Cu-Alloy t0.20	Contact Area: Ni Base 2.5-4.5 μm, Au0.76 μm Min. Terminal Area: Sn1.0-3.0 μm
3	Contact (Upper)	19	Cu-Alloy t0.20	Contact Area: Ni Base 2.5-4.5 μm, Au0.76 μm Min. Terminal Area: Sn1.0-3.0 μm
2	Mold	2	LCP	BLACK (UL94 V-0)
1	Housing	1	LCP	BLACK (UL94 V-0)
部品番号 ITEM	部品名 DESCRIPTION	個数 QNT.	材質・寸法 MATERIAL	記事 CONTENT

						分類 (CLASS)		QSFP Host Connector Style A
						名称 (TITLE)		CN120-038-1001
尺度 SCALE	5/1	承認 APP.	承認 APP.	検図 CHK.	製図 DRW.	設計 DSGN.	図番 (DRW. NO.)	
単位 DIMENSION	mm	15/09/18	15/09/18	15/09/18	15/09/18	15/09/18	Sheet No.	REV.
三角図法 3RD ANGLE PROJECTION		T. Ito	S. Sato	M. Hiseishi	S. Matsuda	T. Ito	A117260-001	1 / 3 A

DRW. NO. A117260-001 Sheet No. 2 /



CROSS-HATCHED AREA DENOTES COMPONENT AND TRACE KEEP-OUT (EXCEPT CHASSIS GROUND)

THIS AREA DENOTES COMPONENT KEEP-OUT (TRACE ALLOWED)

SURFACE TRACES PERMITTED WITHIN THIS SHADED AREA



- Note. 1 [X] AND [Y] ESTABLISHED BY CUSTOMER'S FIDUCIAL.
- Note. 2 DATUM A IS TOP SURFACE OF HOST BOARD.
- Note. 3 LOCATION OF EDGE OF PCB IS APPLICATION SPECIFIC.
- Note. 4 FINISHED HOLE SIZE.
- Note. 5 COMPATIBLE WITH SFF-8436 & SFF-8662.

					山一電機株式会社 YAMAICHI ELECTRONICS Co.,Ltd.	
					分類 (CLASS) QSFP Host Connector Style A	
					名称 (TITLE) CN120-038-1001	
尺度 (SCALE) 5/1 単位 (DIMENSION) mm 三角図法 (3RD ANGLE PROJECTION)	承認 (APP) 15/09/18 T. Ito	承認 (APP) 15/09/18 S. Sato	検図 (CHK) 15/09/18 M. Hisaishi	製図 (DRW) 15/09/18 S. Matsuda	設計 (DSGN) 15/09/18 T. Ito	図番 (DRW. NO.) A117260-001 Sheet No. 2 / REV. A