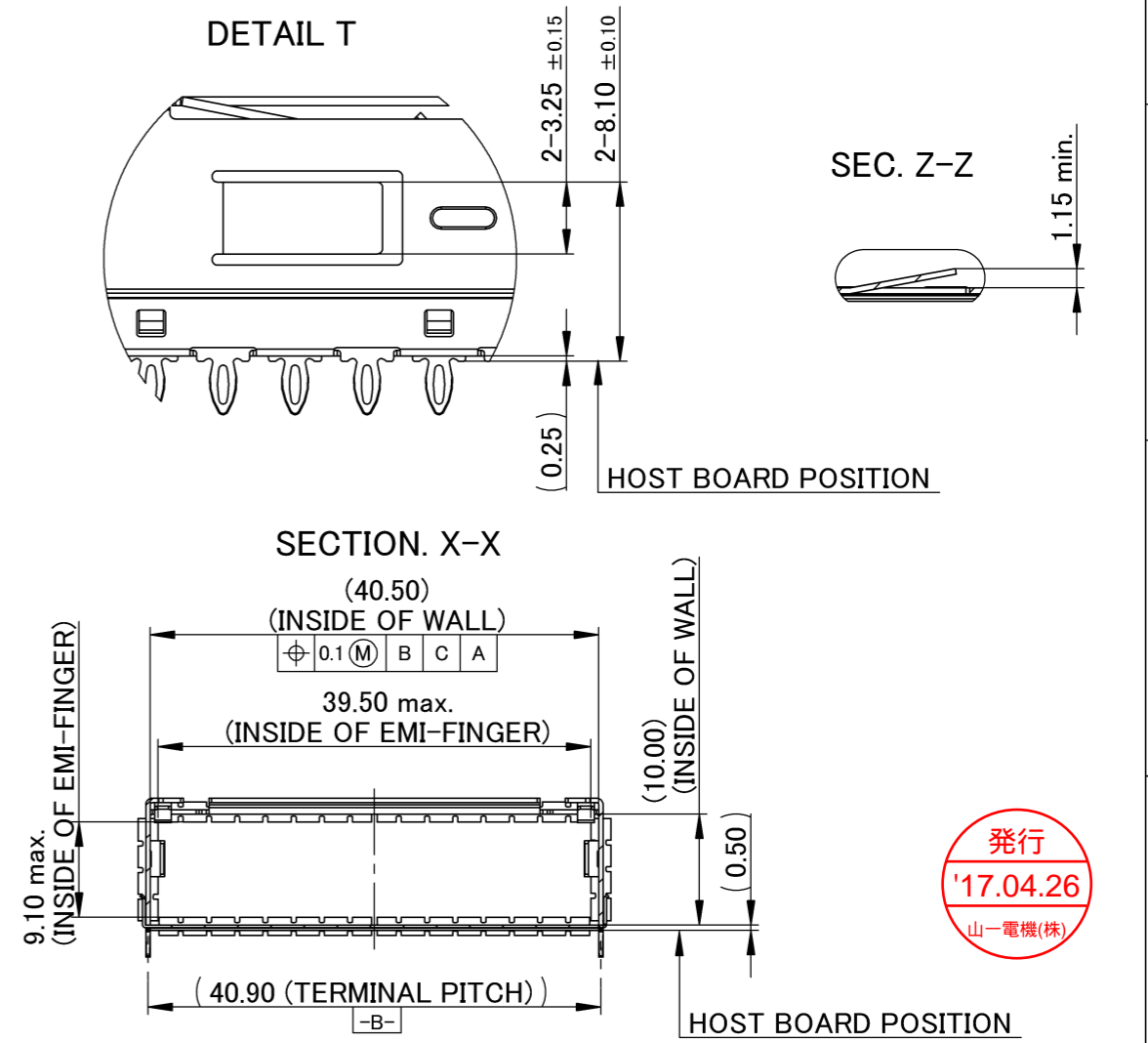
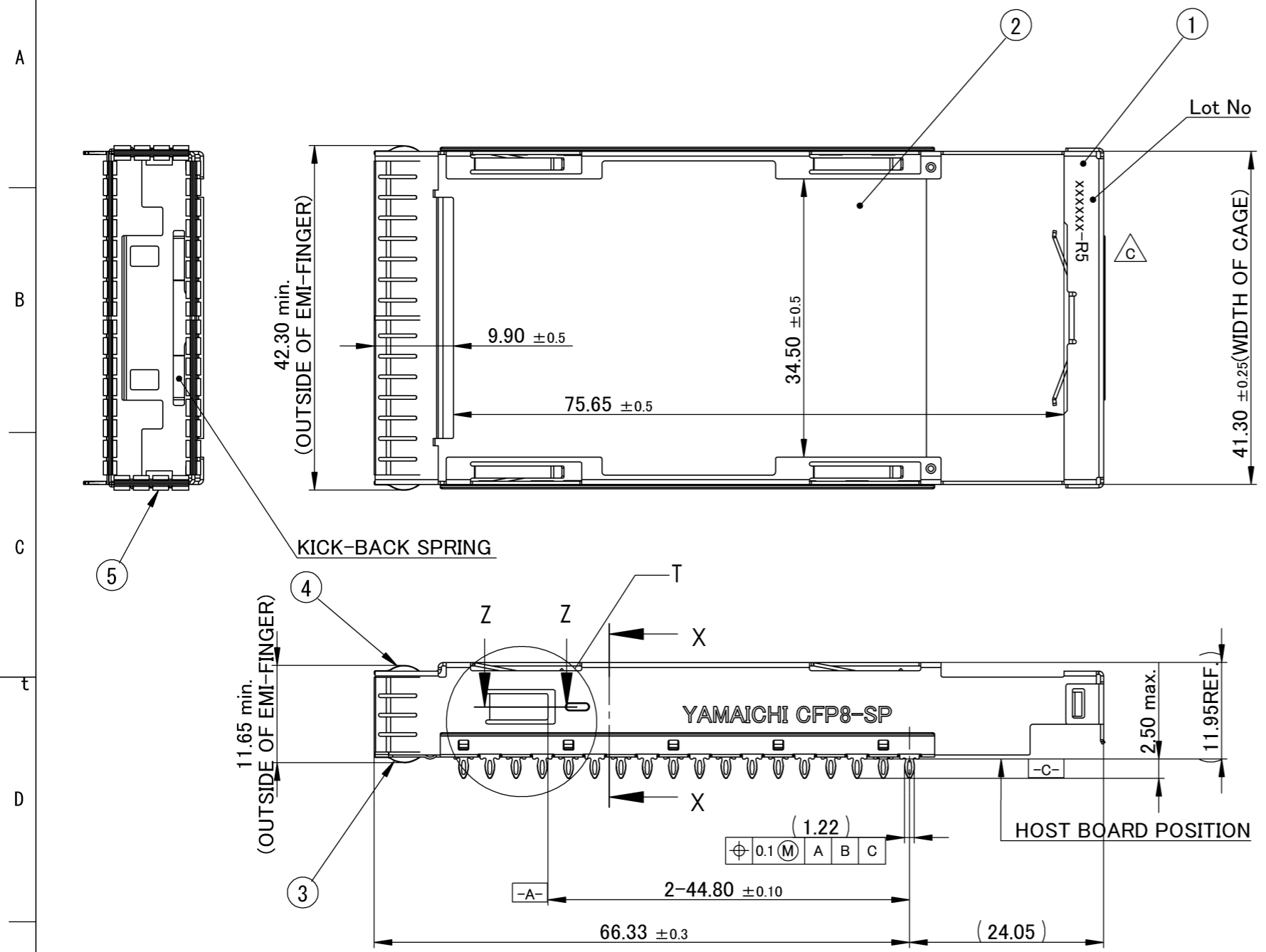


| 記号x数  | 変更内容 REVISION DESCRIPTION     | 承認 | 検図 | 担当 | 年月日      | 変更通知書No. |
|-------|-------------------------------|----|----|----|----------|----------|
| △ x - | Change the terminal length.   | 伊東 | 佐藤 | 斉藤 | 16/07/26 |          |
| △ x 2 | Modify the spring and rev. up | 伊東 | 佐藤 | 斉藤 | 17/02/24 | M131957  |
| △ x   |                               |    |    |    |          |          |
| △ x   |                               |    |    |    |          |          |
| △ x   |                               |    |    |    |          |          |

CONFIDENTIAL



発行  
'17.04.26  
山一電機(株)

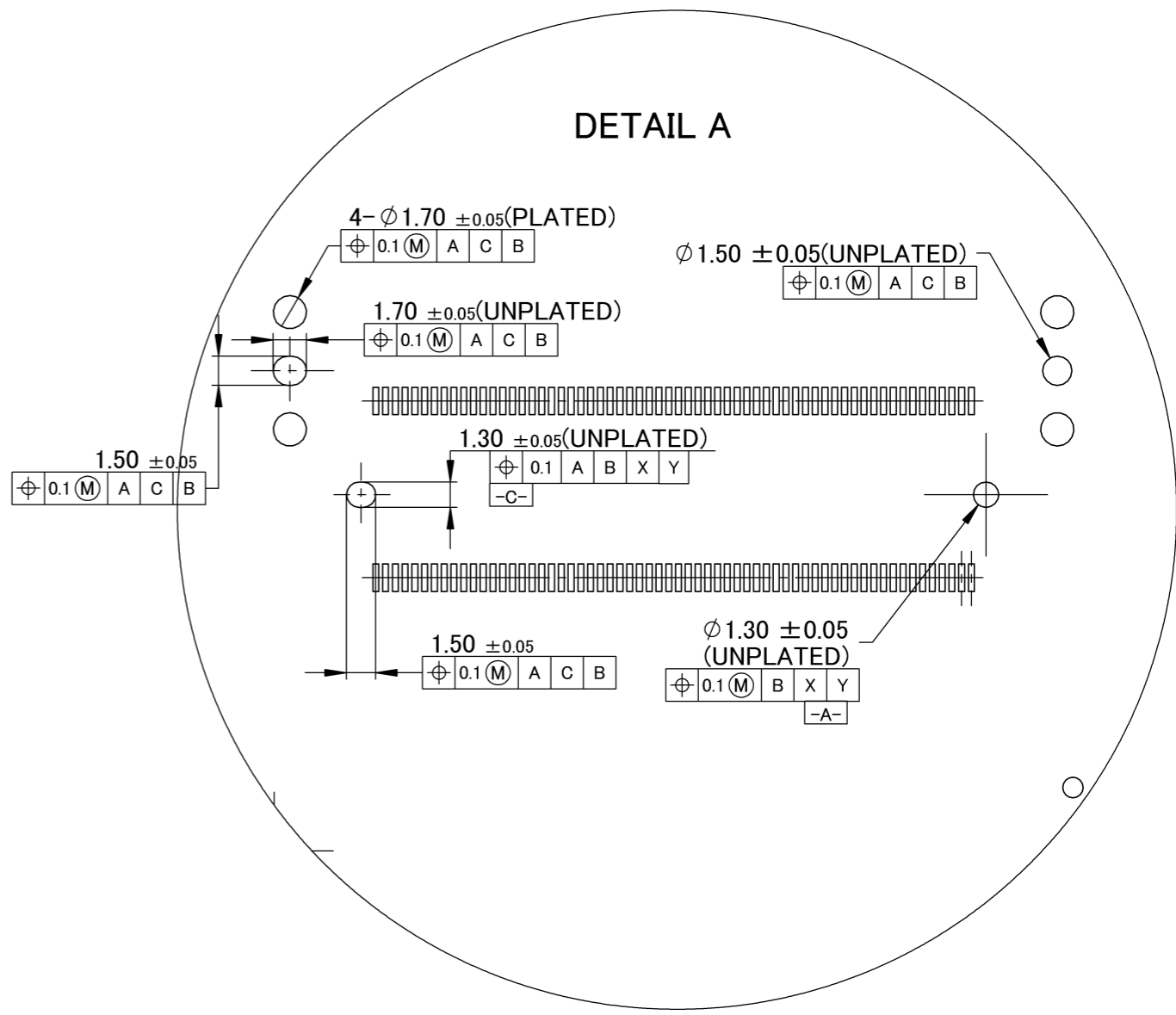
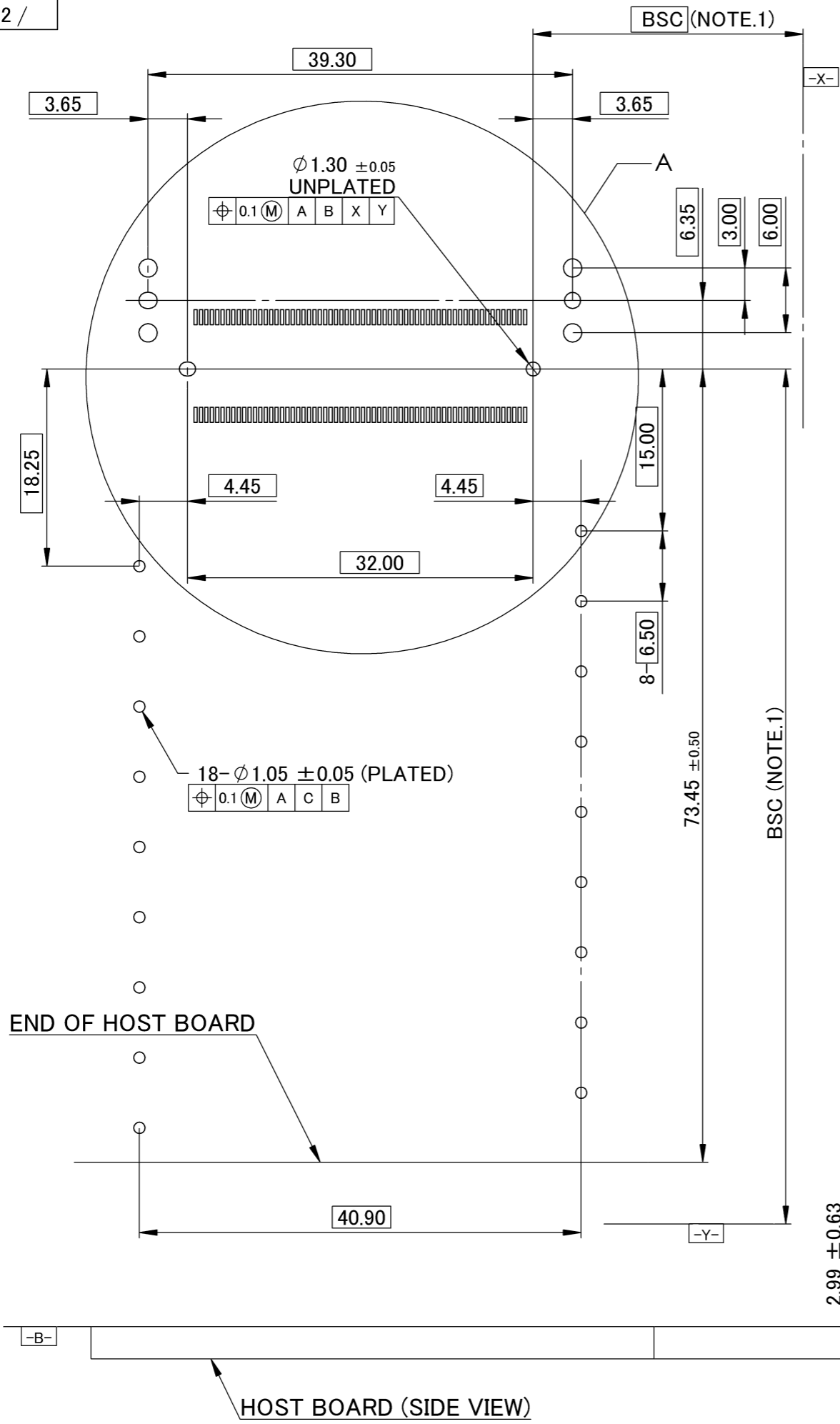
- 記事 NOTE
- 性能・取り扱いは、仕様書 F117495-001 による。  
Performance and handling shall conform to the specification. (F117495-001)
  - 標準梱包はトレイとする。  
Standard packaging method is tray. Refer to Packaging Spec. R117770-001 for details.
  - 実装寸法・禁止エリア・使用方法などは仕様書 F117495-001 参照のこと。  
Mounting dimension, prohibited area and proper usage that shall conform to specification drawing (F117495-001).
  - Lot No.

160316-R5 △  
Revision (Drawing will be revised when the design changed)  
Date of Manufacture (yy/mm/dd)

| 部品番号<br>ITEM | 呼称<br>NAME        | 個数<br>QNT. | 材質・寸度<br>MATERIAL | 記事<br>CONTENT     |
|--------------|-------------------|------------|-------------------|-------------------|
| 5            | EMI-Finger-Side   | 2          | Stainless Steel   | 脱脂処理 (degreasing) |
| 4            | EMI-Finger-TOP    | 1          | Stainless Steel   | 脱脂処理 (degreasing) |
| 3            | EMI-Finger-Bottom | 1          | Stainless Steel   | 脱脂処理 (degreasing) |
| 2            | Bottom Cage       | 1          | Stainless Steel   | 脱脂処理 (degreasing) |
| 1            | Outer Cage        | 1          | Copper Alloy      | Ni Plating        |

RoHS Compliant

|  |         |         |         |         |               |   |      |
|--|---------|---------|---------|---------|---------------|---|------|
| 指定外公差 ±0.3<br>Tolerances ±0.3 unless otherwise specified.<br>( ) 寸法は参考値 ( ) Reference value. |         |         |         |         |               | 山一電機株式会社<br>YAMAICHI ELECTRONICS Co., Ltd.                |      |
| 尺度 SCALE: /<br>単位 DIMENSION: mm<br>三角図法 3RD. ANGLE PROJECTION: /                             |         |         |         |         |               | 分類 (CLASS) CFP8 SINGLE CAGE<br>名称 (TITLE) CN168C-124-0002 |      |
| 承認 APP.  | 承認 APP. | 検図 CHK. | 製図 DRW. | 設計 DSN. | 図番 (DRW. NO.) | Sheet No.   | REV. |
| 伊東   | 伊東      | 佐藤      | 斉藤      | 伊東      | A117498-001   | 1/4   | C    |



END OF HOST BOARD

HOST BOARD (SIDE VIEW)

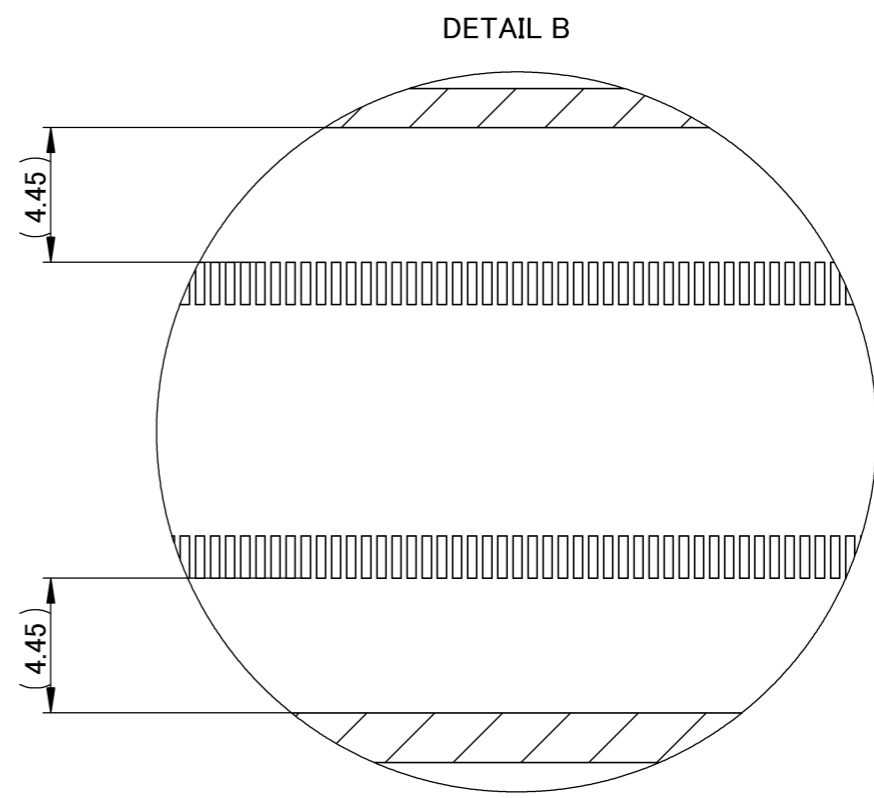
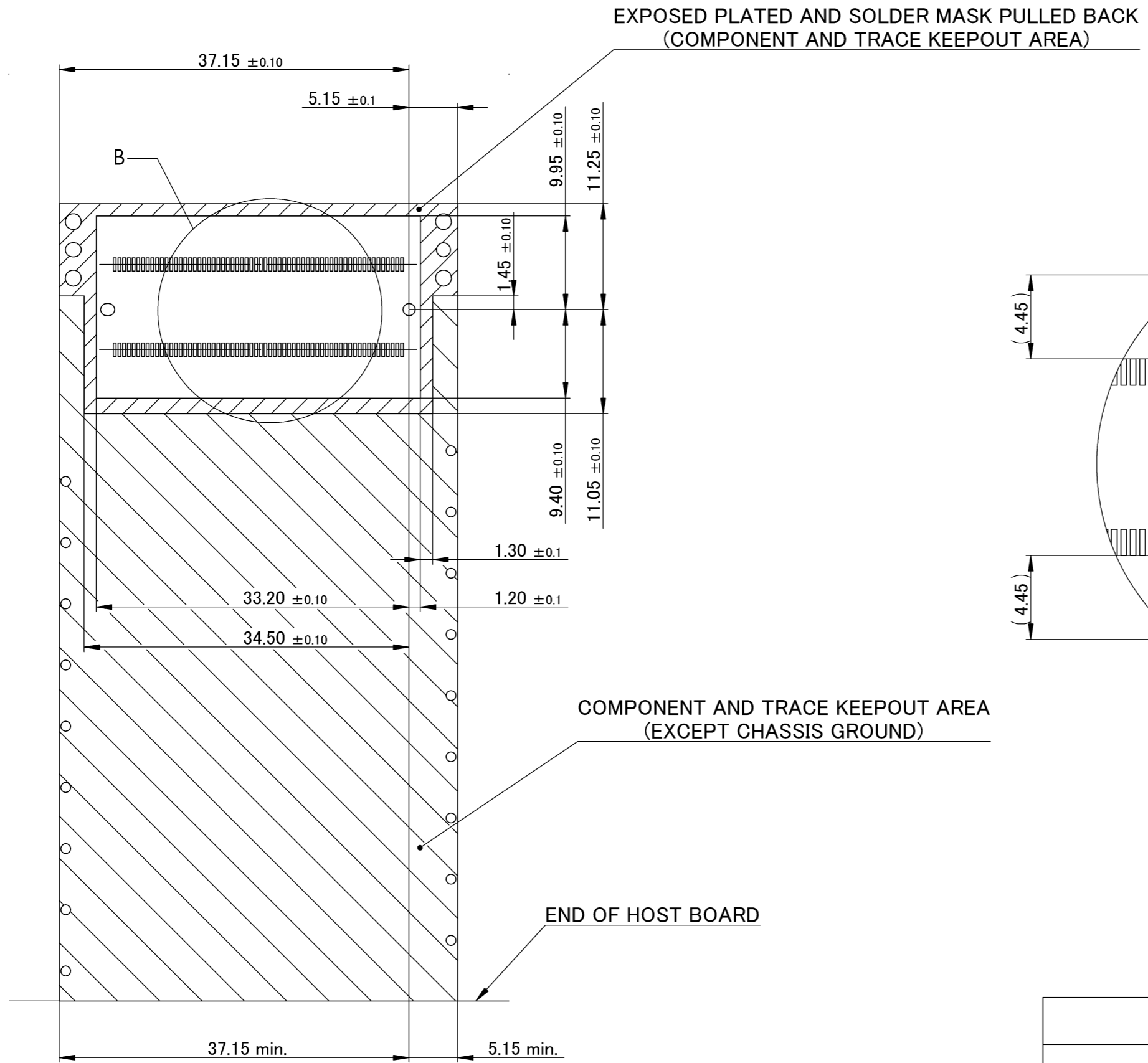
- NOTE
- DATUM DETERMINED BY OEM.
  - THIS DRAWING SHOWS SINGLE SIDE APPLICATION.
  - HOST CONNECTOR PAD DIMENSION, REFER TO HOST CONNECTOR DRAWING.



|                              |           |           |           |           |            |  |                  |
|------------------------------|-----------|-----------|-----------|-----------|------------|--|------------------|
|                              |           |           |           |           |            | 山一電機株式会社<br>YAMAICHI ELECTRONICS Co., Ltd. |                  |
|                              |           |           |           |           |            | 分類 (CLASS)<br>CFP8 SINGLE CAGE             |                  |
|                              |           |           |           |           |            | 名称 (TITLE)<br>CN168C-124-0002              |                  |
| 尺度 (SCALE)<br>2/1            | 承認 (APP.) | 承認 (APP.) | 検図 (CHK.) | 製図 (DRW.) | 設計 (DSGN.) | 図番 (DRW. NO.)                              | Sheet No.<br>2 / |
| 単位 (DIMENSION)<br>mm         |           | 16/07/26  | 16/07/26  | 16/07/07  | 16/06/30   | A117498-001                                | REV.<br>C        |
| 三角図法 (3RD. ANGLE PROJECTION) |           |           |           |           |            | 伊東 佐藤 齊藤 伊東                                |                  |

A  
B  
C  
D  
E  
F

A  
B  
C  
D  
E  
F



発行  
'17.04.26  
山一電機(株)

|                              |          |          |          |          |           |   |                  |
|------------------------------|----------|----------|----------|----------|-----------|---|------------------|
|                              |          |          |          |          |           | 山一電機株式会社<br>YAMAICHI ELECTRONICS Co.,Ltd. |                  |
|                              |          |          |          |          |           | 分類 (CLASS)<br>CFP8 SINGLE CAGE            |                  |
|                              |          |          |          |          |           | 名称 (TITLE)<br>CN168C-124-0002             |                  |
| 尺度 (SCALE)<br>2/1            | 承認 (APP) | 承認 (APP) | 検図 (CHK) | 製図 (DRW) | 設計 (DSGN) | 図番 (DRW. NO.)                             | Sheet No.<br>3 / |
| 単位 (DIMENSION)<br>mm         |          | 16/07/26 | 16/07/26 | 16/07/07 | 16/06/30  | A117498-001                               | REV.<br>C        |
| 三角図法 (3RD. ANGLE PROJECTION) |          |          |          |          |           | 伊東  | 佐藤               |
|                              |          |          |          |          |           | 伊東  | 伊東               |