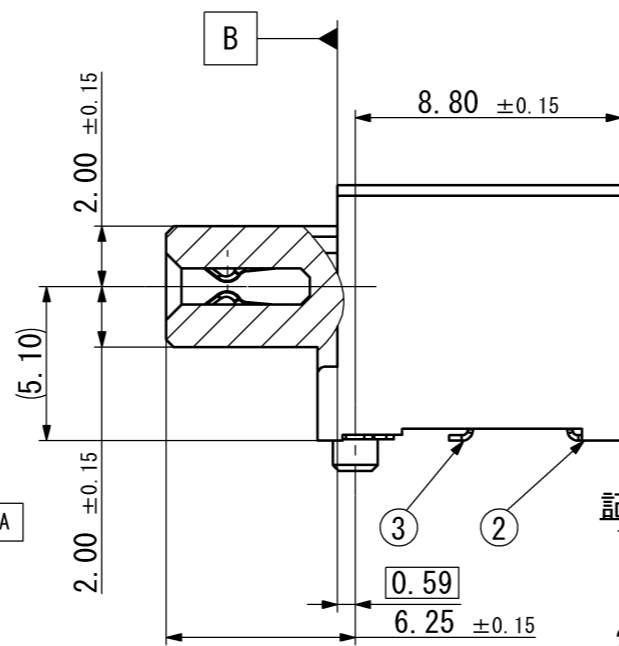
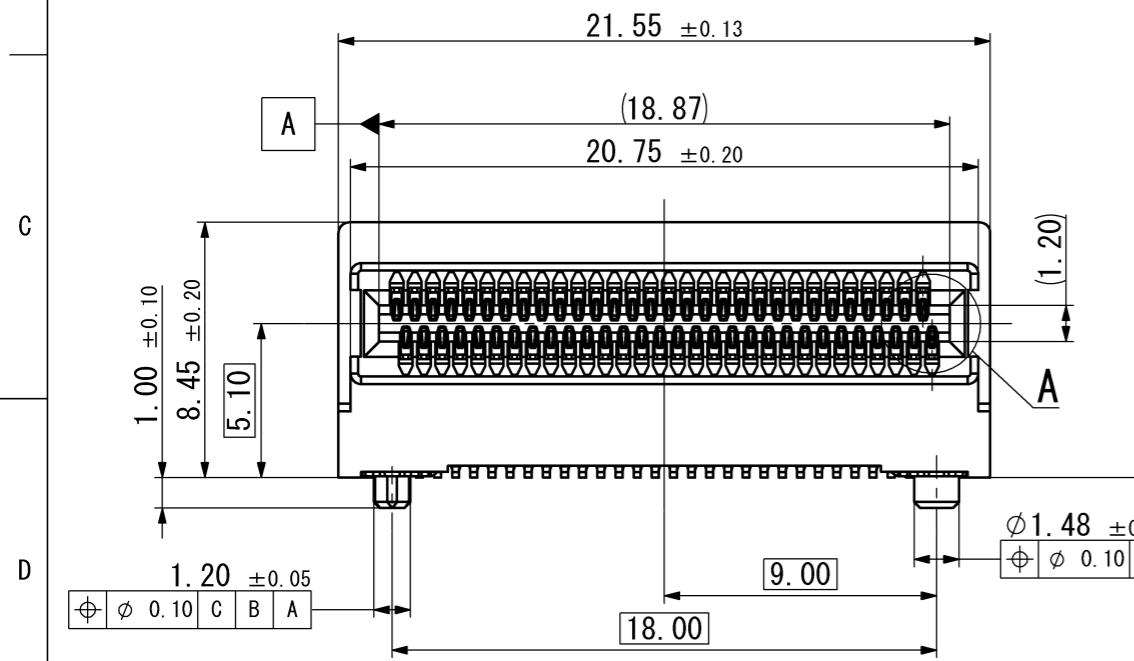
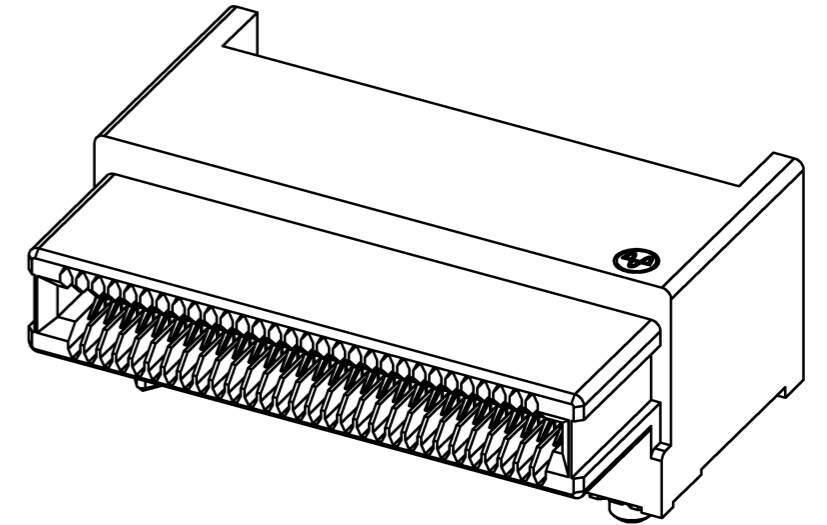


| 記号x数 | 変更内容 | REVISION DESCRIPTION | 承認 | 検図 | 担当 | 年月日 | 変更通知書No. |
|------|------|----------------------|----|----|----|-----|----------|
| △ x | | | | | | | |
| ◇ x | | | | | | | |
| ◇ x | | | | | | | |
| △ x | | | | | | | |
| △ x | | | | | | | |

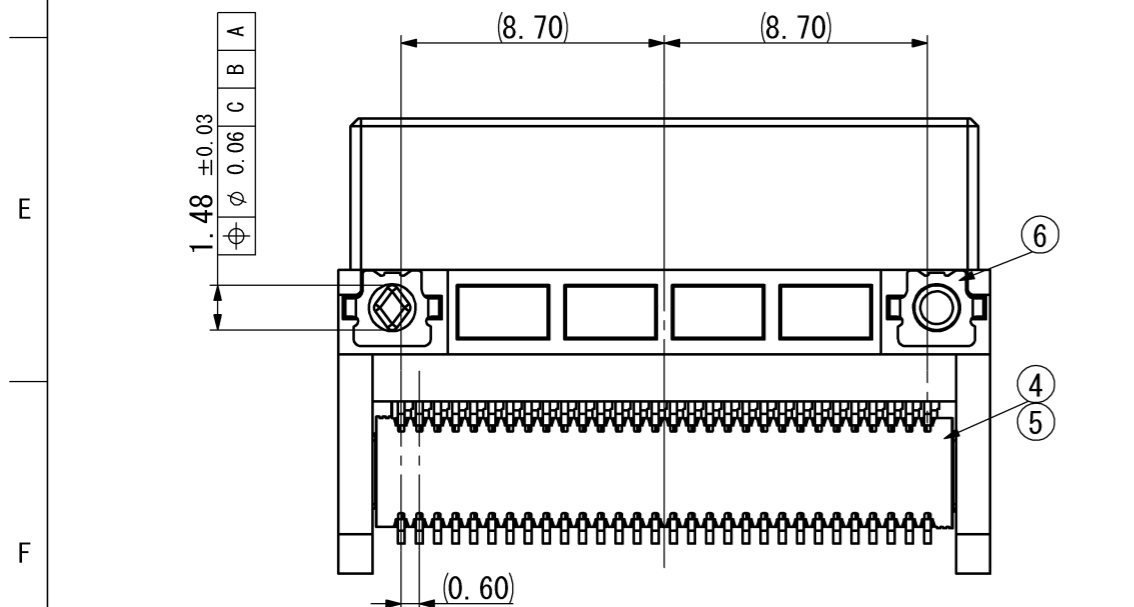


記事 NOTE

- 性能仕様書はF120384-001による。また、梱包仕様書はR120384-001による。 Specifications are written in F120384-001. Packaging structures are written in R120384-001.
- Lot No. Lot No. : ***** R1

Revision (Drawing will be revised when the design changed)
Date of manufacture (yymmdd)

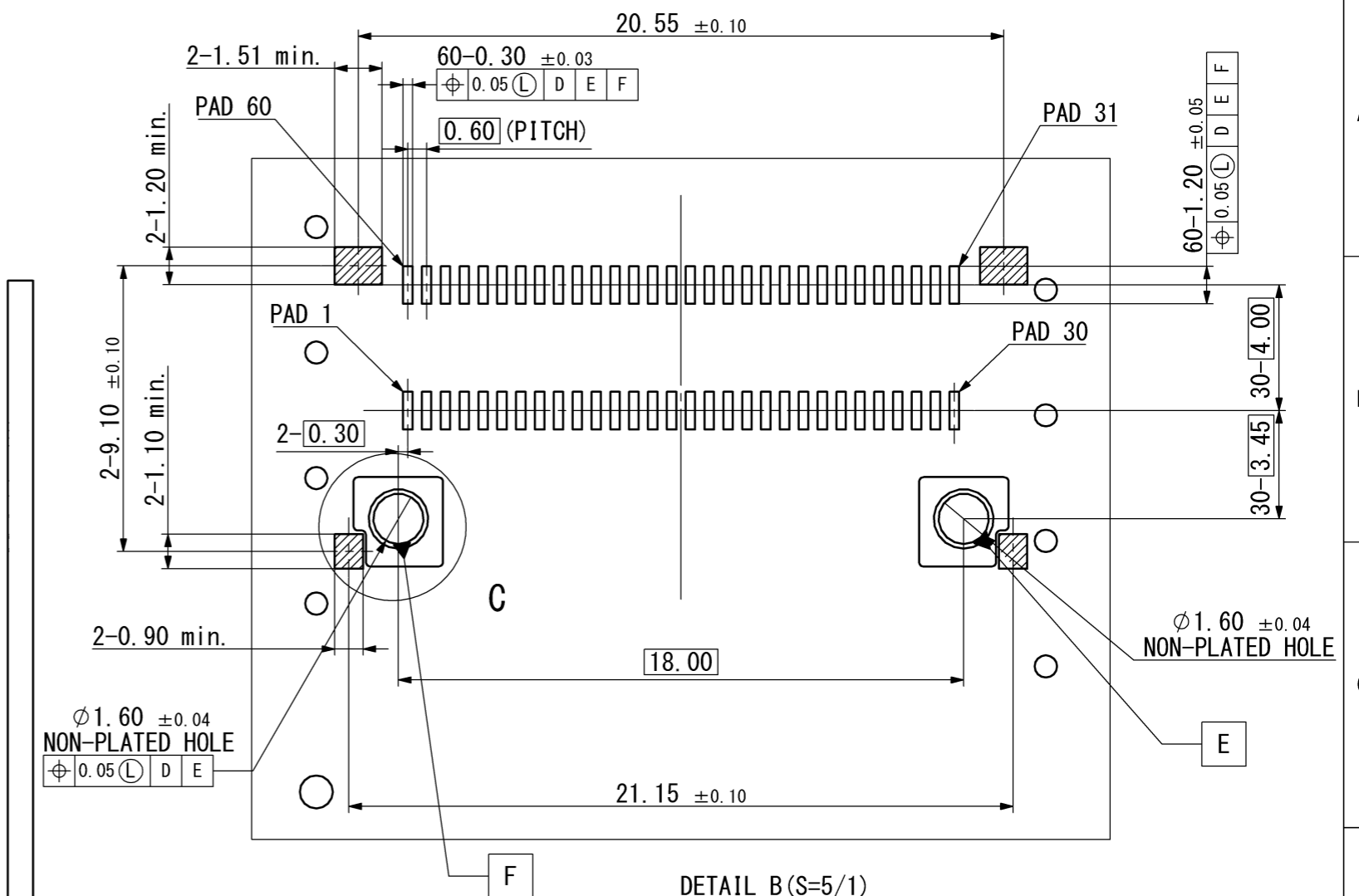
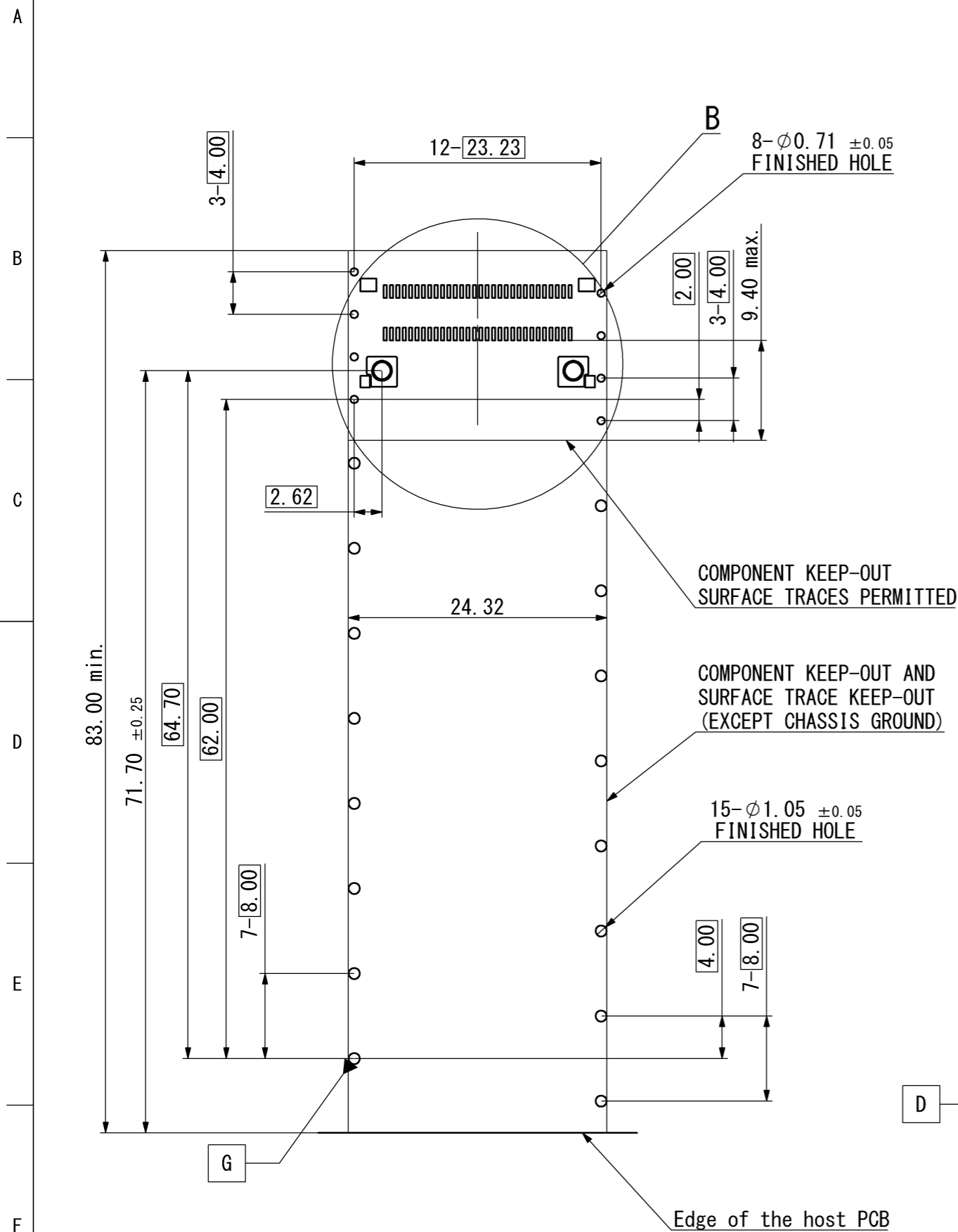
| 部品番号 | 部品名 | 個数 | 材質・寸度 | 記事 |
|------|----------------|------|--------------|---------|
| ITEM | DESCRIPTION | QNT. | MATERIAL | CONTENT |
| 6 | Solder Pad | 2 | Copper Alloy | Ni-Au |
| 5 | Alignment Mold | 1 | LCP | Black |
| 4 | Mold | 1 | LCP | Black |
| 3 | Bottom Contact | 30 | Copper Alloy | Ni-Au |
| 2 | Top Contact | 30 | Copper Alloy | Ni-Au |
| 1 | Housing | 1 | LCP | Black |



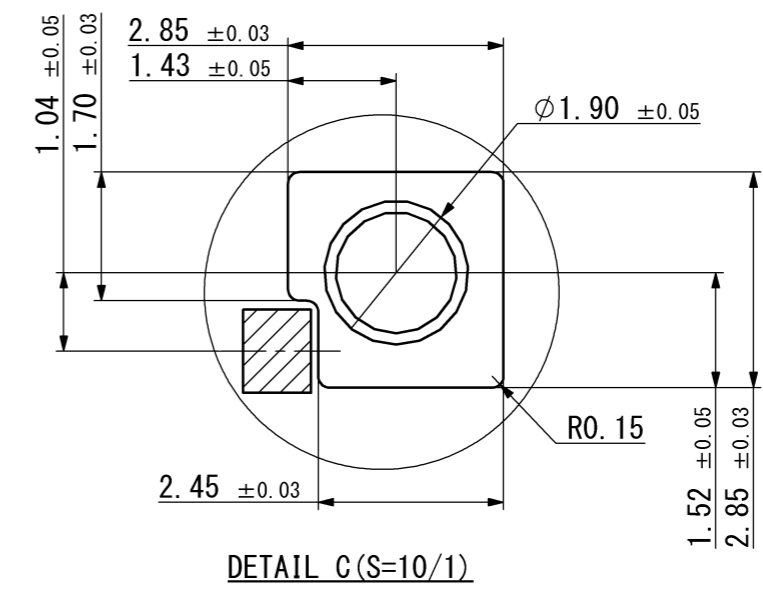
| | | | | | | | |
|--|-----|------------|------------|------------|------------|-----------------------------------|-------------------------------|
| 指定外公差 ±0.3 Tolerances ±0.3 unless otherwise specified. ()寸法は参考値 ()Reference value. | | | | | | 分類 (CLASS) OSFP Host Connector | |
| 尺度 SCALE | 4/1 | 承認 APP. | 承認 APP. | 検図 CHK. | 製図 DRW. | 設計 DSGN. | 名称 (TITLE) CN176S-060-0002 |
| 単位 DIMENSION | mm | 19/04/08 | 19/04/04 | 19/04/04 | 17/02/21 | 17/02/21 | 図番 (DRW. NO.) A120384-001 |
| 三角図法 3RD. ANGLE PROJECTION | 伊東 | 佐藤 | 阿部 | 高居 | 高居 | | Sheet No. 1/3 REV. A |



PCB layout for single side mounting.



DETAIL B(S=5/1)



DETAIL C(S=10/1)

| | | | | | | | |
|--|--|--|--|--|--|--|--|
| 指定外公差 ± 0.3 Tolerances ± 0.3 unless otherwise specified. ()寸法は参考値 ()Reference value. | | | | | | 山一電機株式会社 YAMAICHI ELECTRONICS Co.,Ltd. | |
| 尺度 2/1 SCALE 2/1 承認 19/04/08 APP. 19/04/04 承認 19/04/04 CHK. 17/02/21 製図 17/02/21 DSGN. 高居 | | | | | | 分類 (CLASS) OSFP Host Connector 名称 (TITLE) CN176S-060-0002 | |
| 単位 mm DIMENSION mm 三角図法 3RD. ANGLE PROJECTION | | | | | | 図番 (DRW. NO.) A120384-001 Sheet No. 2/ REV. A | |