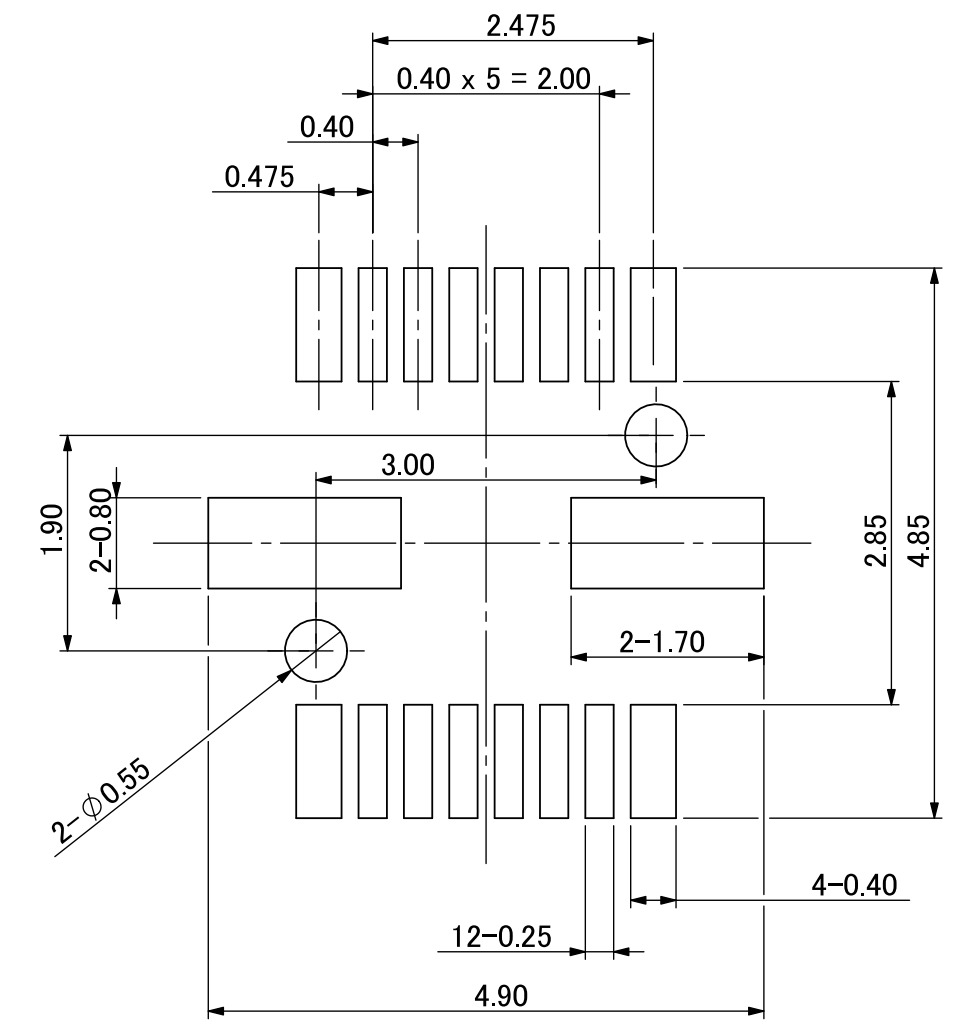
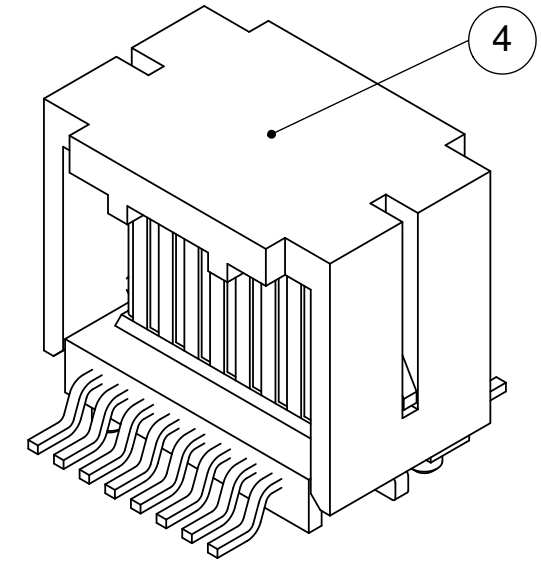
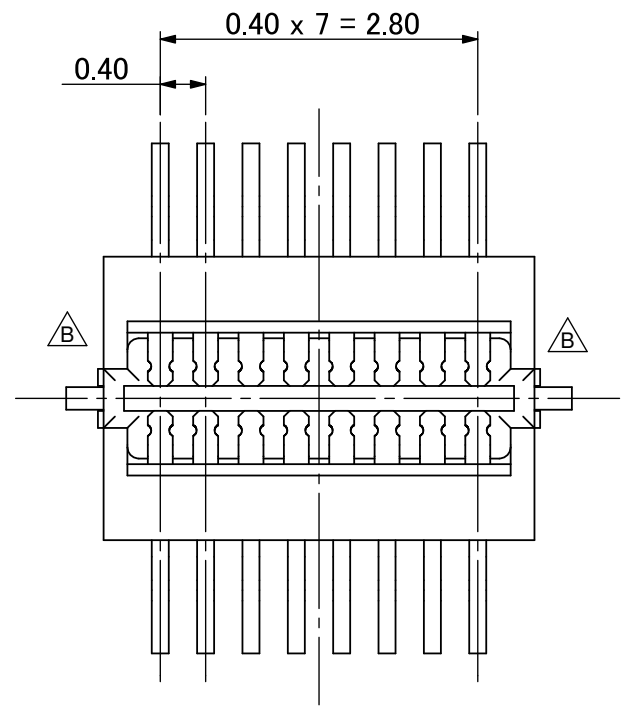
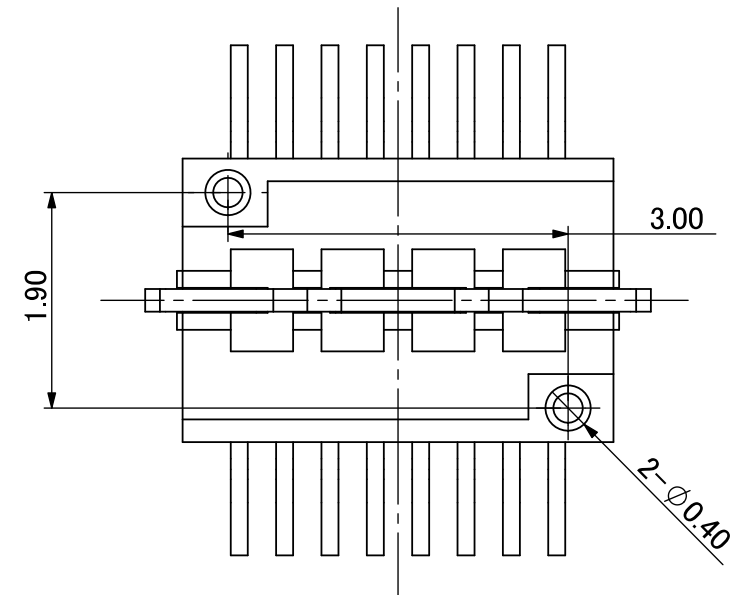
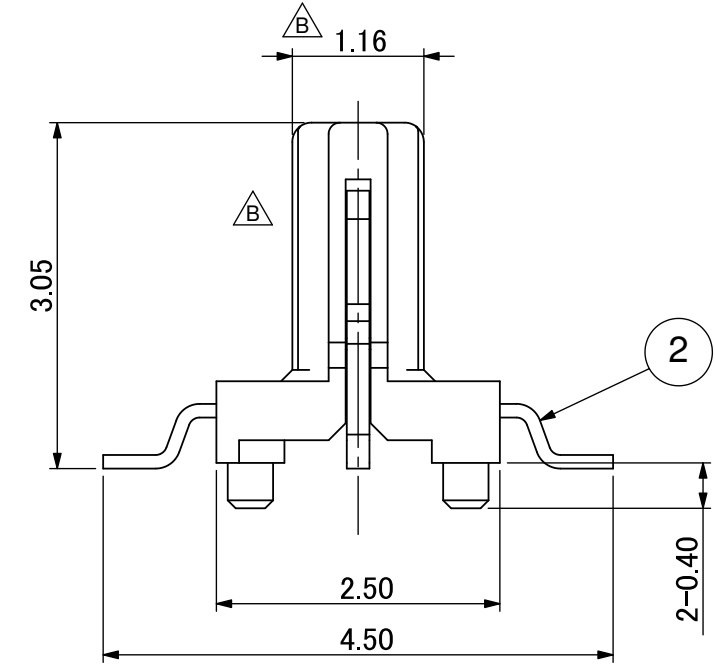
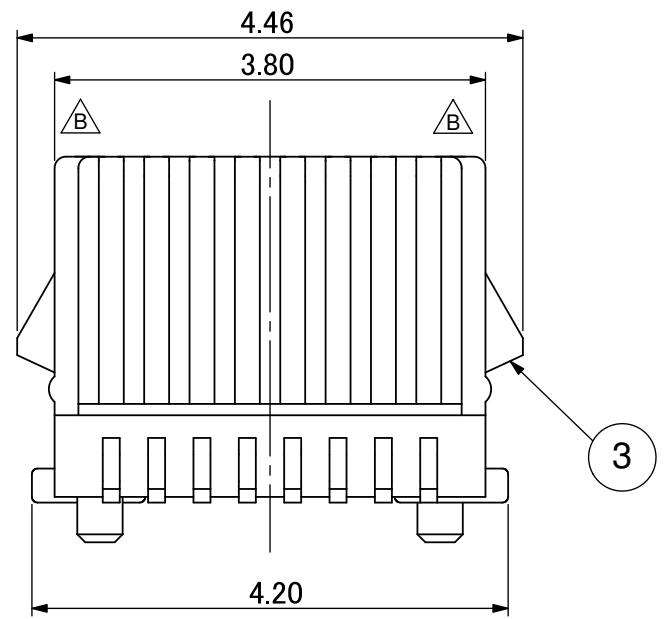


	REVISION DESCRIPTION	APP.	DRW.	DATE	CHANGE No.
△ X 7	Housing design change, Add Note.1	K.A	K.A	03/17/09	
△ X					
△ X					



**Recommended PCB Layout**  
Tolerance ±0.05

Note.  
△ B 1. Recommended solder paste thickness: 0.08mm



4	Pick & Place Cap	1	LCP	Black
3	Lock Metal Parts	1	PB, t=0.20	Ni-Tin
2	Contact Pin	16	PB, t=0.12	Ni-Au
1	Insulator	1	LCP	Black
Item No.	Description	Qty.	Material	Content

Tolerance ±0.25 Unless otherwise specified						YAMAICHI ELECTRONICS USA INC.			
<b>Sierra Wireless</b>						CLASS 0.40mm Pitch, BtoB Connector, Plug			
SCALE	15 / 1	APP.	APP.	CHK.	DRW.	DSGN.	Part # CNU010P-016-0001		
DIMENSION	mm		01/27/09	01/27/09	01/27/09	01/27/09	DRW No. YEU-A1132		
ANGLE PROJ	3rd		T. Nishimura	T. Nishimura	K. Abe	K. Abe	Sheet No.	/	REV. B
						A3-001			