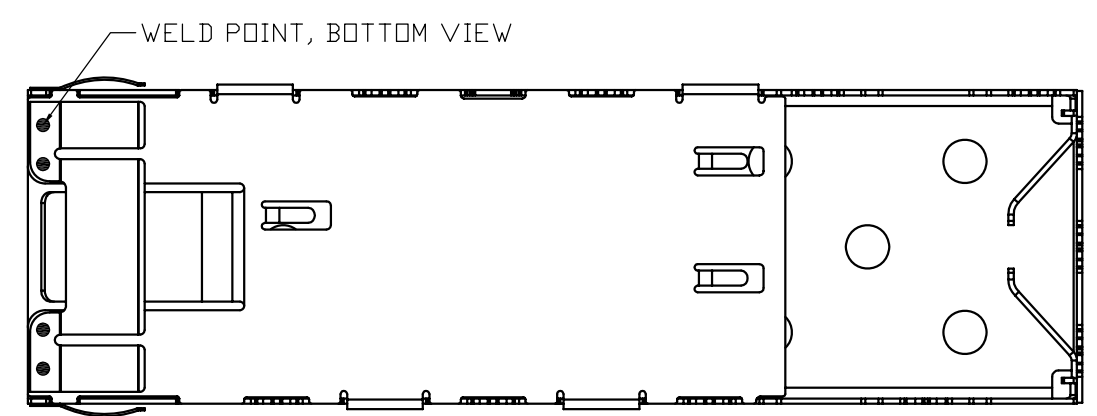
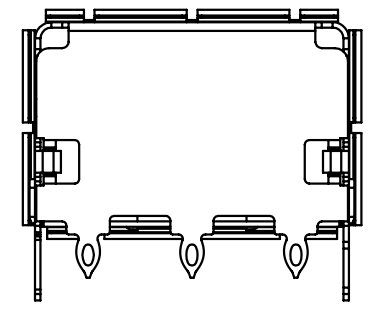
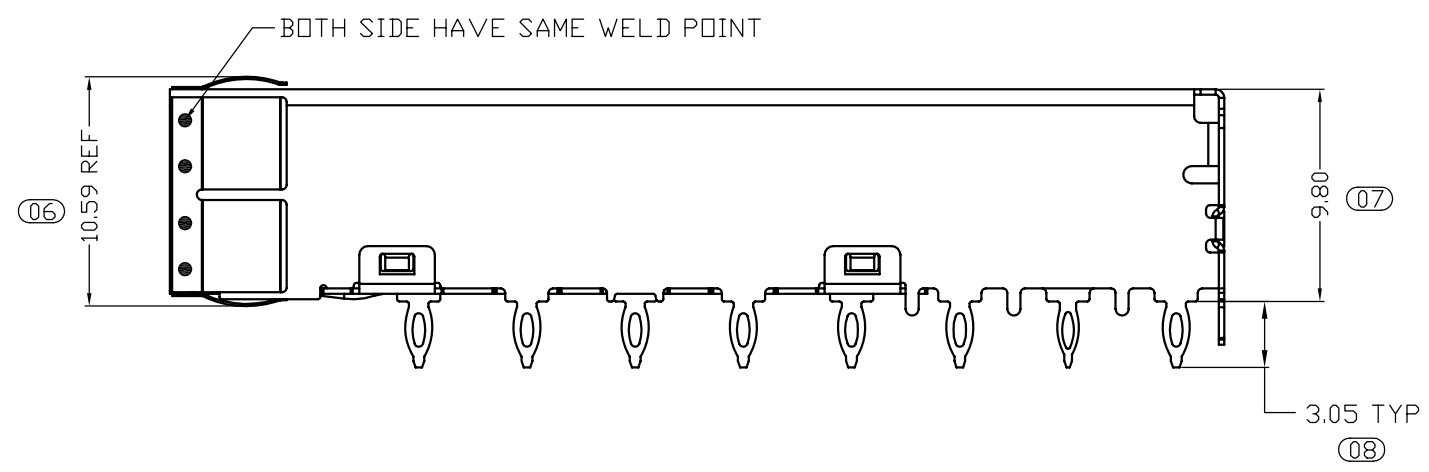
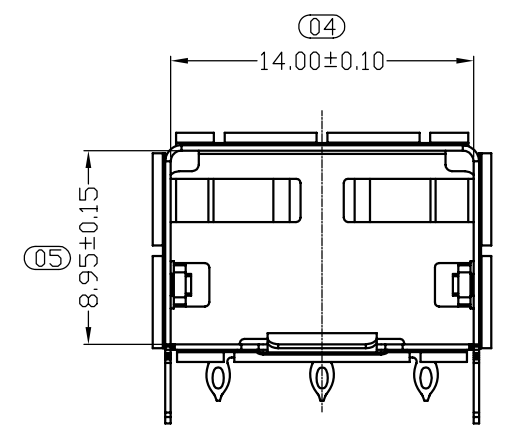
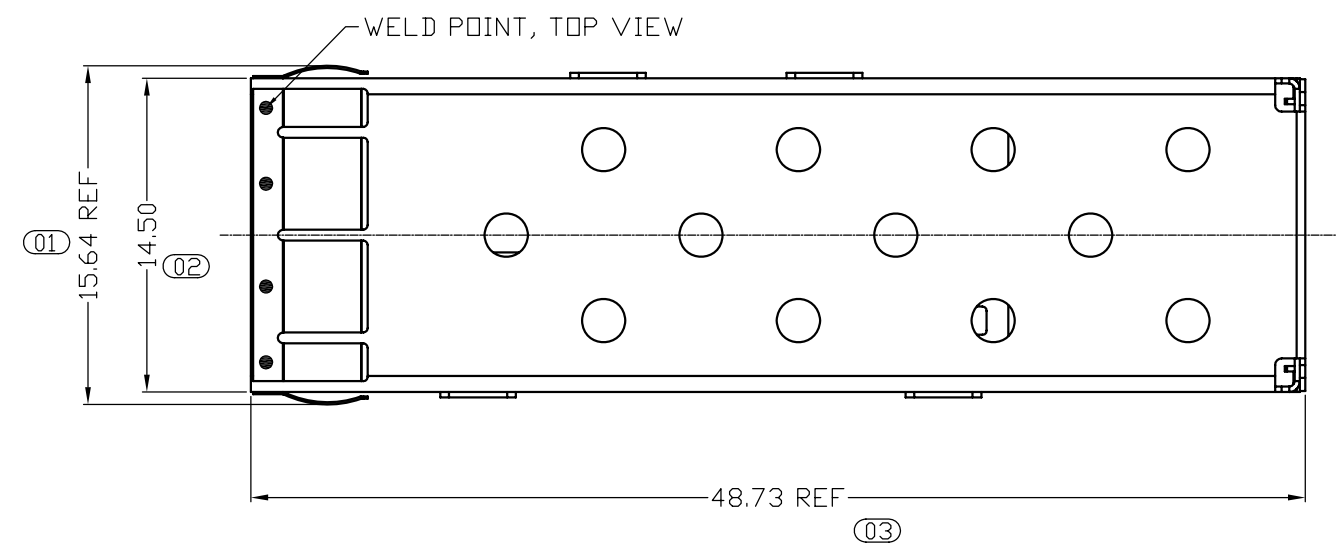
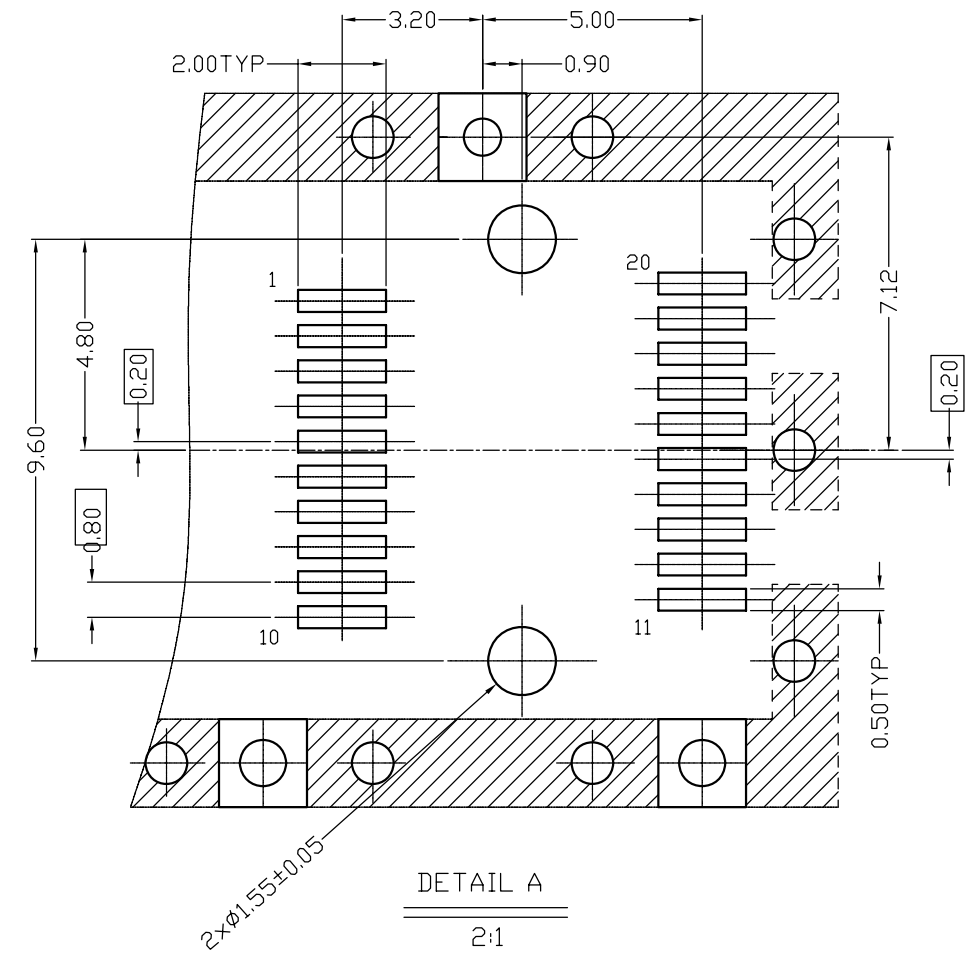
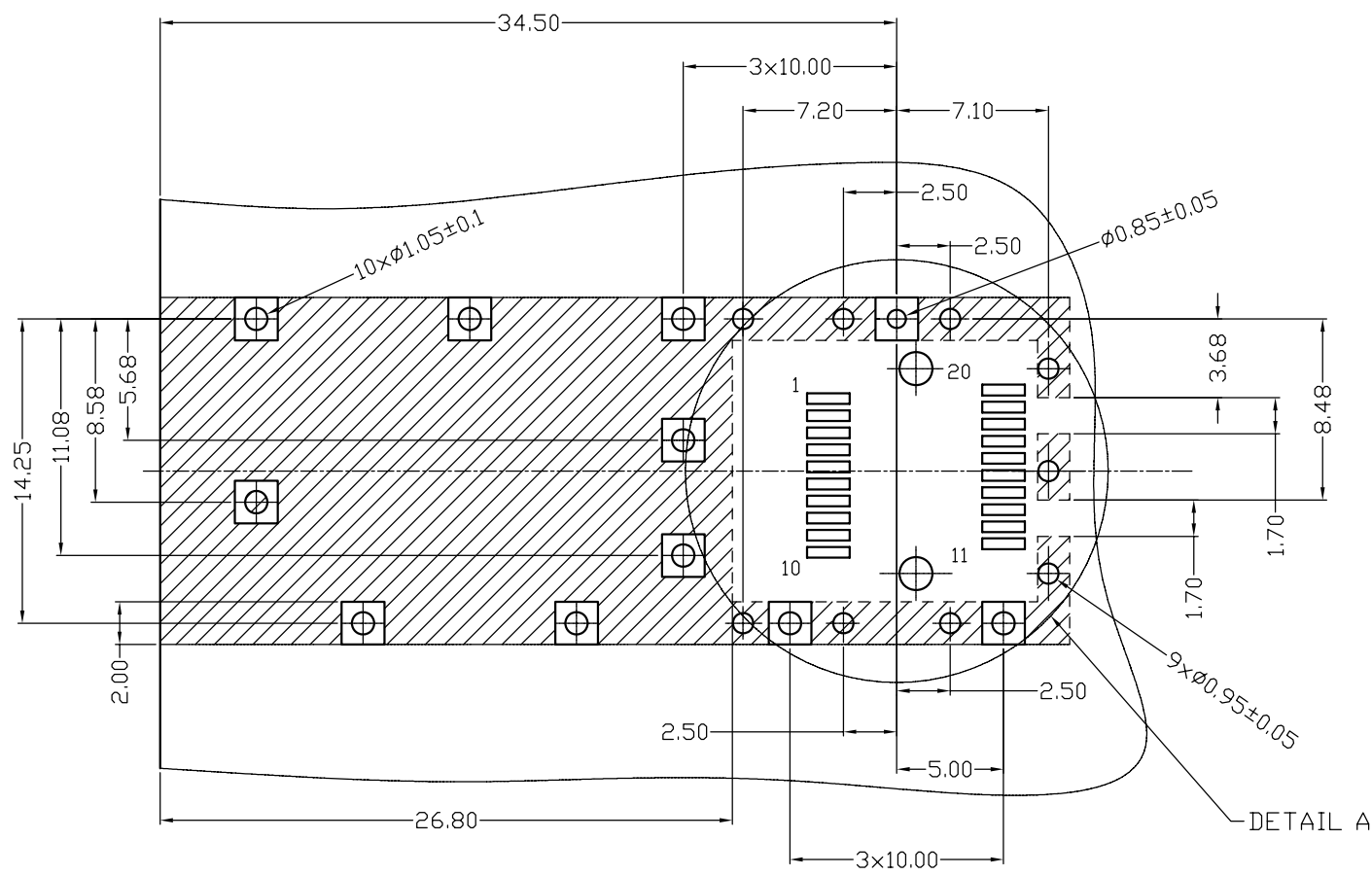
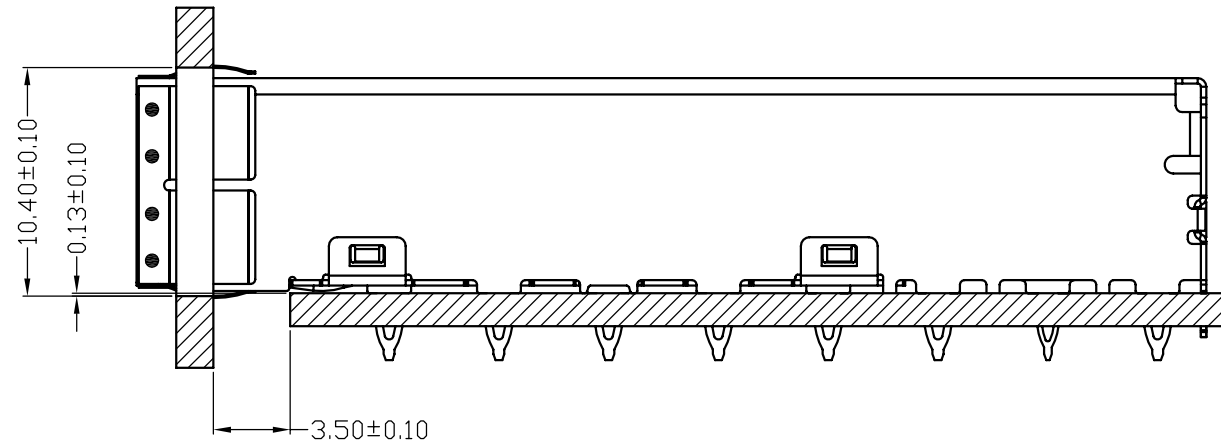
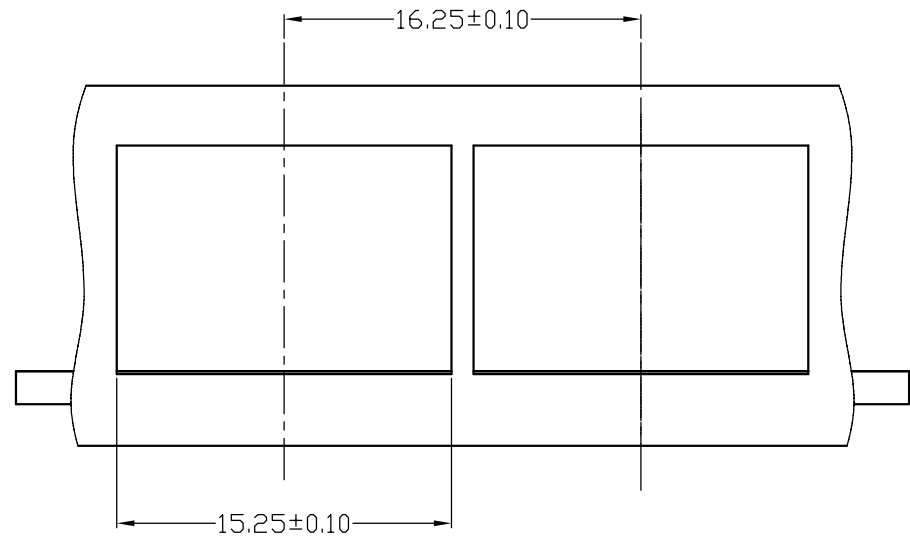


7		8			
REVISION DESCRIPTION	APP.	DRW.	DATE	CHANGE No.	
△ X					
△ X					
△ X					



General Tolerances (Unless Specified)	mm
4 Place	±0.25
3 Place	±0.10
2 Place	±0.20
1 Place	±0.30
Angular	±1

SFP+ 1X1 CAGE, PRESS FIT, WITH EMI SPRINGS							
SCALE 3/1						CLASS	
DIMENSION mm		APP.	APP.	CHK.	DRW.	DSGN.	TITLE
ANGLE PROJ 3rd		08/15/2011	08/15/2011	08/15/2011	08/15/2011		CNU109A-0002
DRW No. YEUA-1713						Sheet No. 1/3	REV. A



SFP PCB LAYOUT

DETAIL A
2:1

General Tolerances (Unless Specified)	
Dimension	Tolerance
4 Place	±0.25
3 Place	±0.10
2 Place	±0.20
1 Place	±0.30
Angular	±1°

SFP+ 1X1 CAGE, PRESS FIT, WITH EMI SPRINGS							YAMAICHI ELECTRONICS USA INC.	
CLASS							TITLE	
SCALE	3/1	APP.	APP.	CHK.	DRW.	DSGN.	CNU109A-0002	
DIMENSION	MM	08/15/2011	08/15/2011	08/15/2011	08/15/2011	08/15/2011	DRW No.	YEU-A1713
ANGLE PROJ	3rd	K. Abe	K. Abe	O. Shimizu	O. Shimizu		Sheet No.	2/3
							REV.	A
							A3-001	