

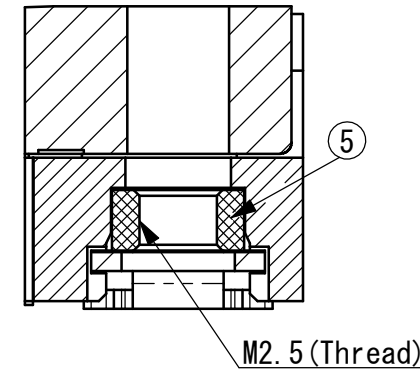
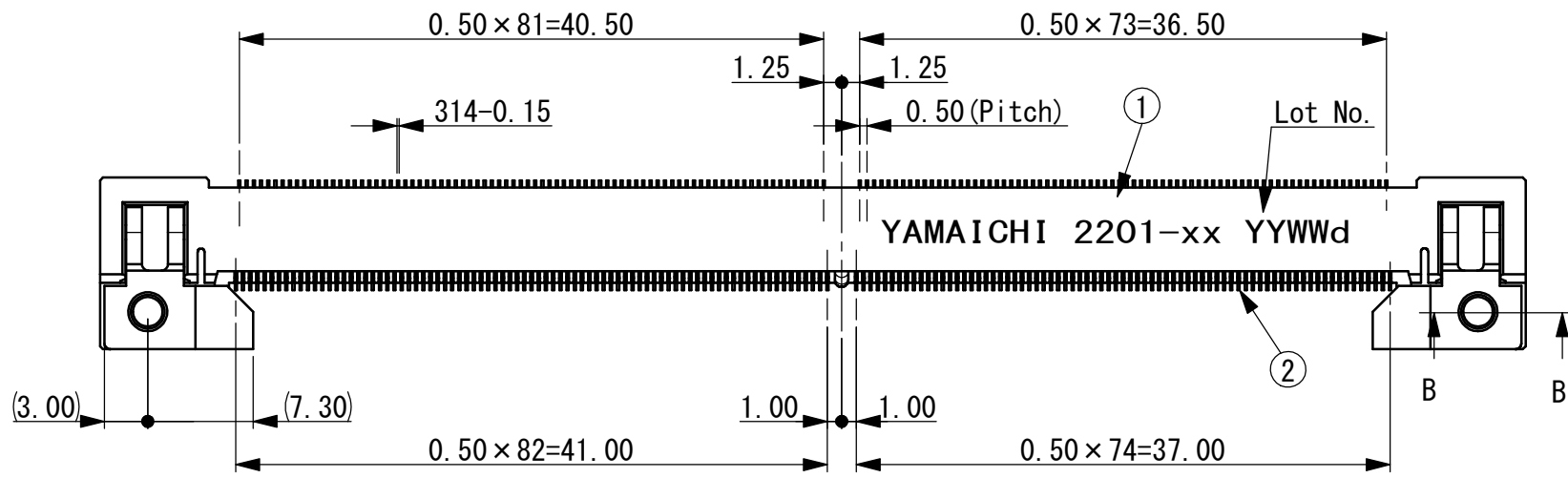
CONFIDENTIAL

PATENT No. US9787010 B1

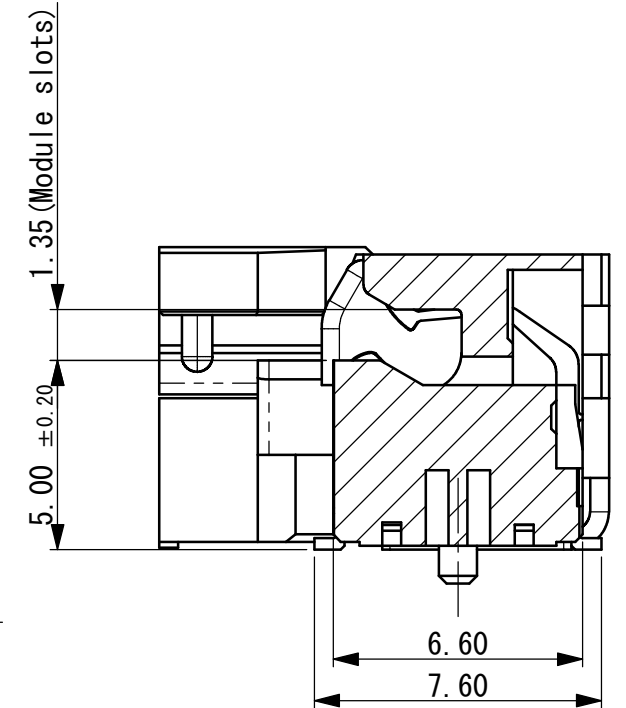
REV.	DESCRIPTION	APP.	DRW.	DATE	CHANGE No.
△C x 6	Added printing. Frame change.	T. N	H. T	'17/04/19	DC17-0042
△D x 2	Correction of mistake	T. N	H. T	'18/01/23	DC18-0006
△E x 1	Added PCB design information	T. N	H. T	'18/06/06	DC18-0037

Definition for printing

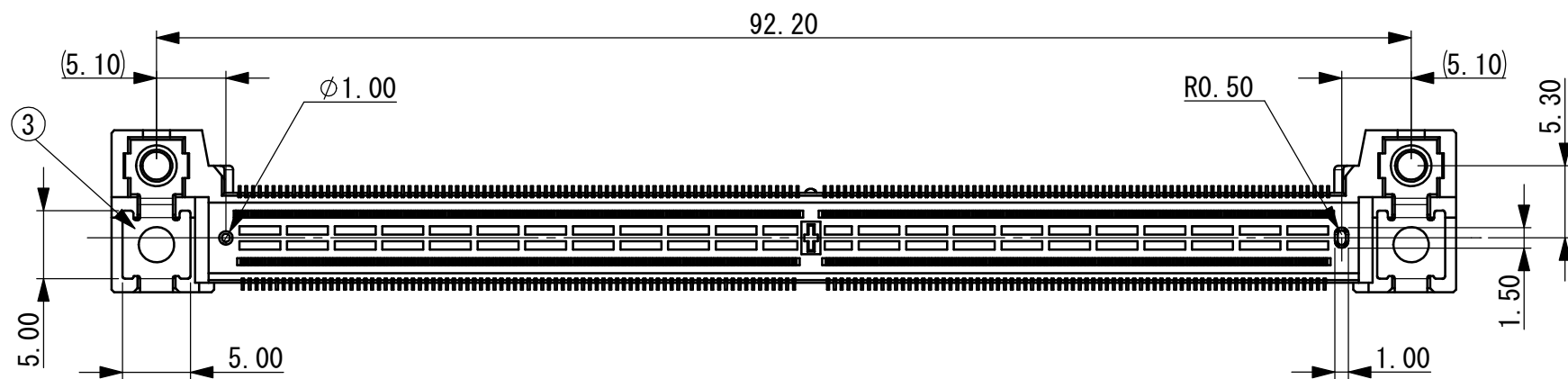
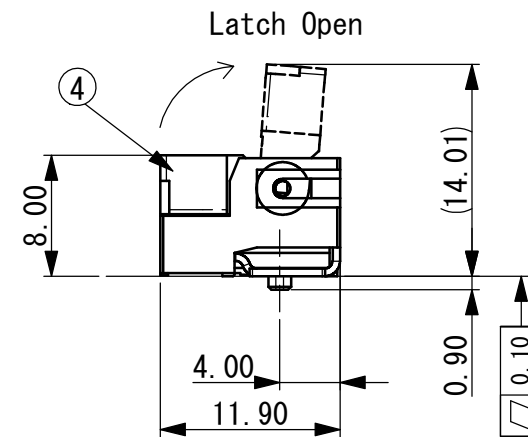
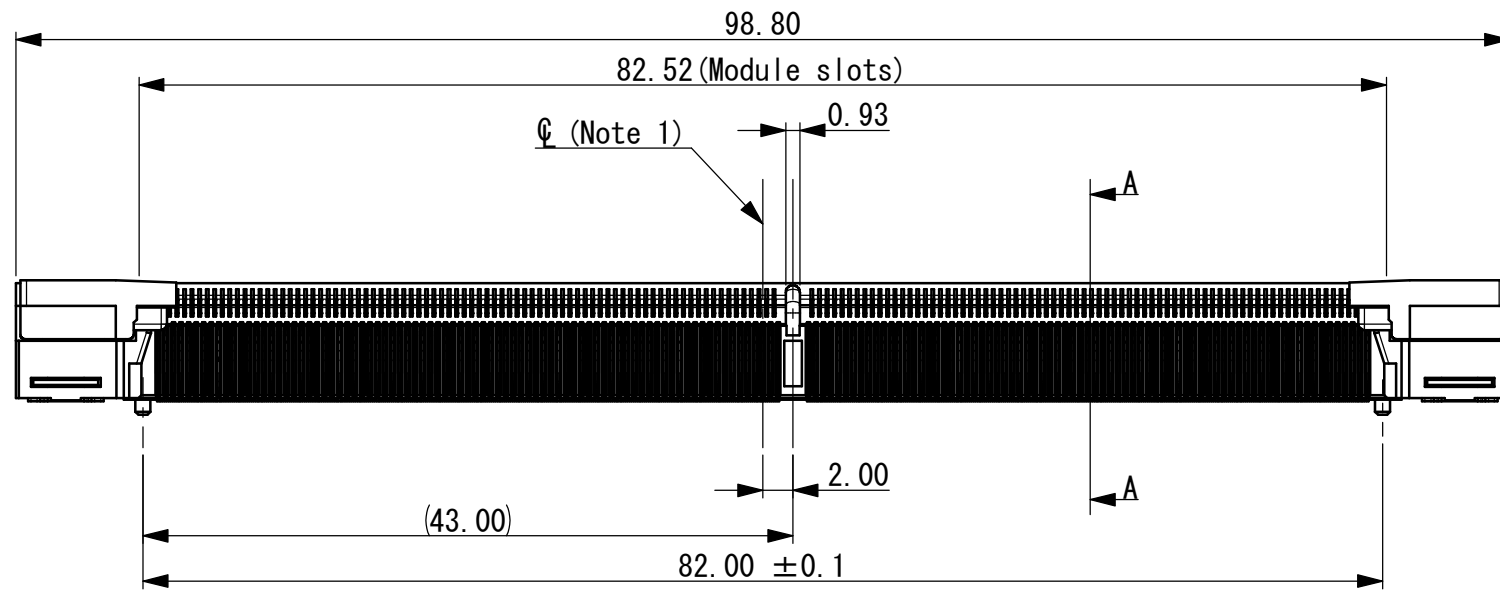
YAMAICHI: Company name  
 2201 : Product variety  
 xx : Manufacturing line no.  
 YY : Year last 2 digit of the year  
 WW : Week no.  
 d : Weekday (1-7: Sun-Sat)



SECTION B-B (S=5/1)



SECTION A-A (S=5/1)



Note  
 1.  $\phi$  indicates the centerline of module slots (82.52mm) and outline width (98.80mm).  
 2. Recommended Screws: M2.5 (threaded) L = 7.5 ± 0.30mm

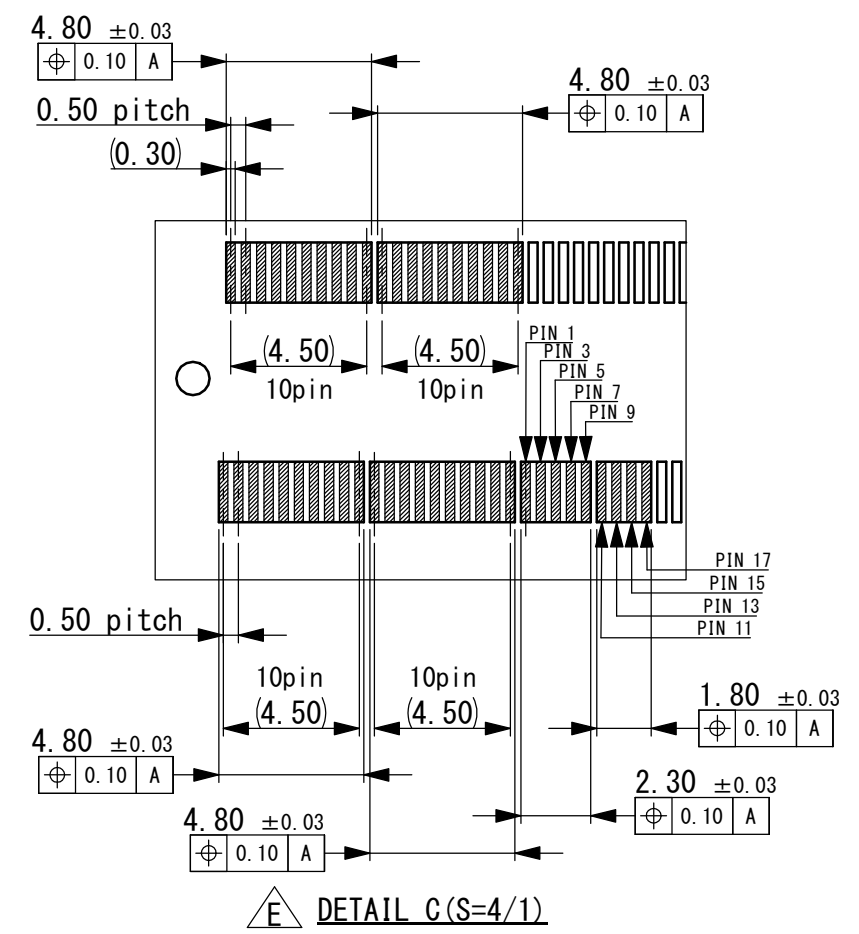
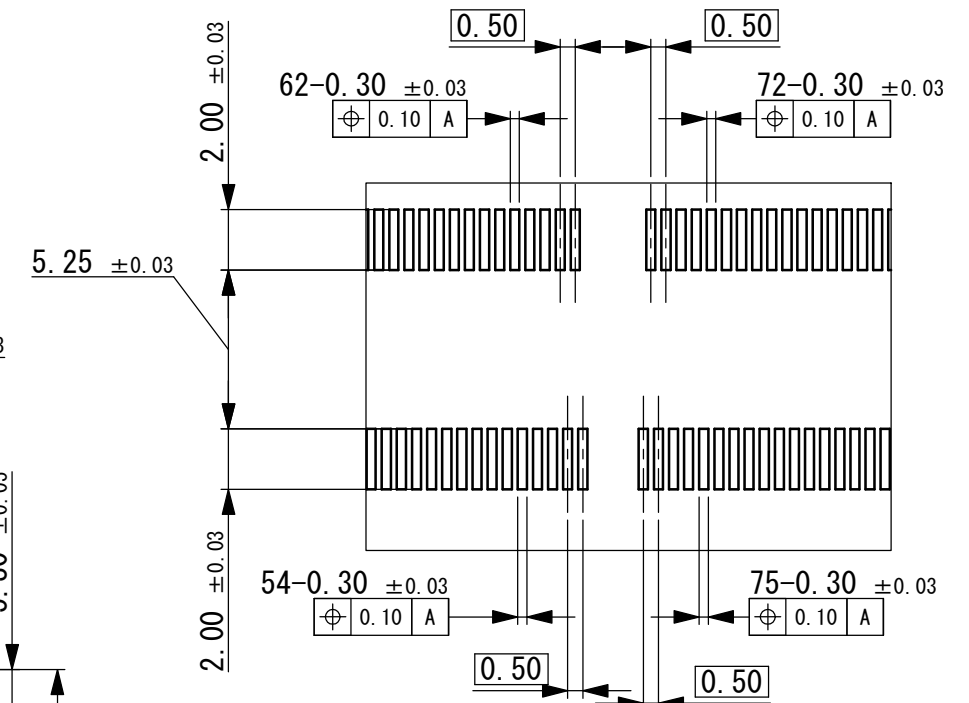
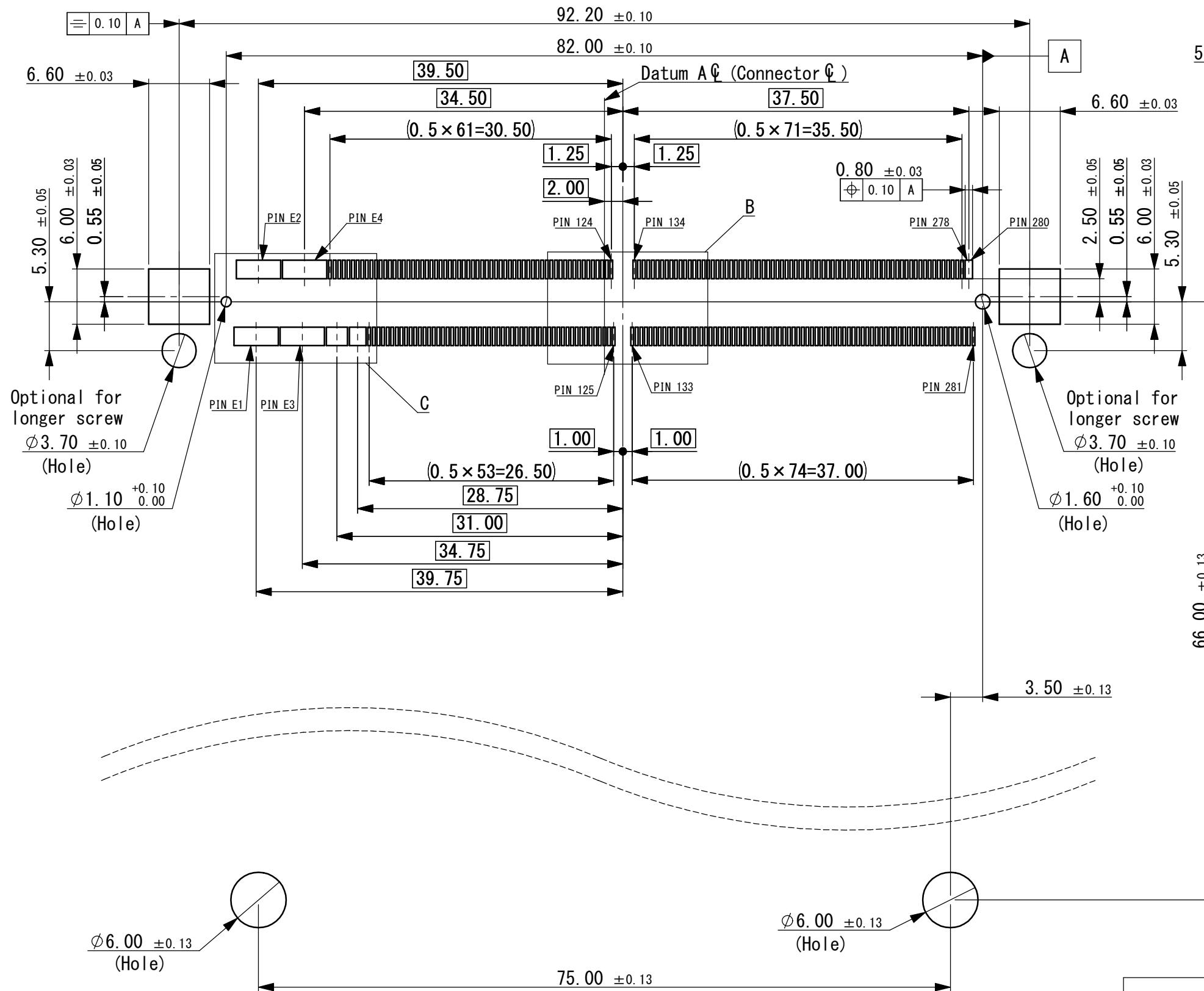
Component

ITEM	DESCRIPTION	QNT.	MATERIAL	CONTENT
5	Nut	2	Brass	Ni
4	Latch	2	Heat resistant plastic	White
3	SMT tab	2	Brass	Ni-Sn
2	Contact	314	Copper alloy	Ni-Au
1	Insulator	1	Heat resistant plastic	Black

Tolerances ±0.30 unless otherwise specified. ( ) Reference value							
SCALE 2/1						CLASS	
DIMENSION mm						Part No. CNU113-314-2201-VE	
ANGLE PROJ 3rd						DRW No. YEU-A3049	
APP. T. Nishimura APP. O. Shimizu CHK. H. Takahira DRW. H. Takahira DSGN. H. Takahira						Sheet No. 1/4 REV. E	

CONFIDENTIAL

RECOMMENDED FOOTPRINT LAYOUT



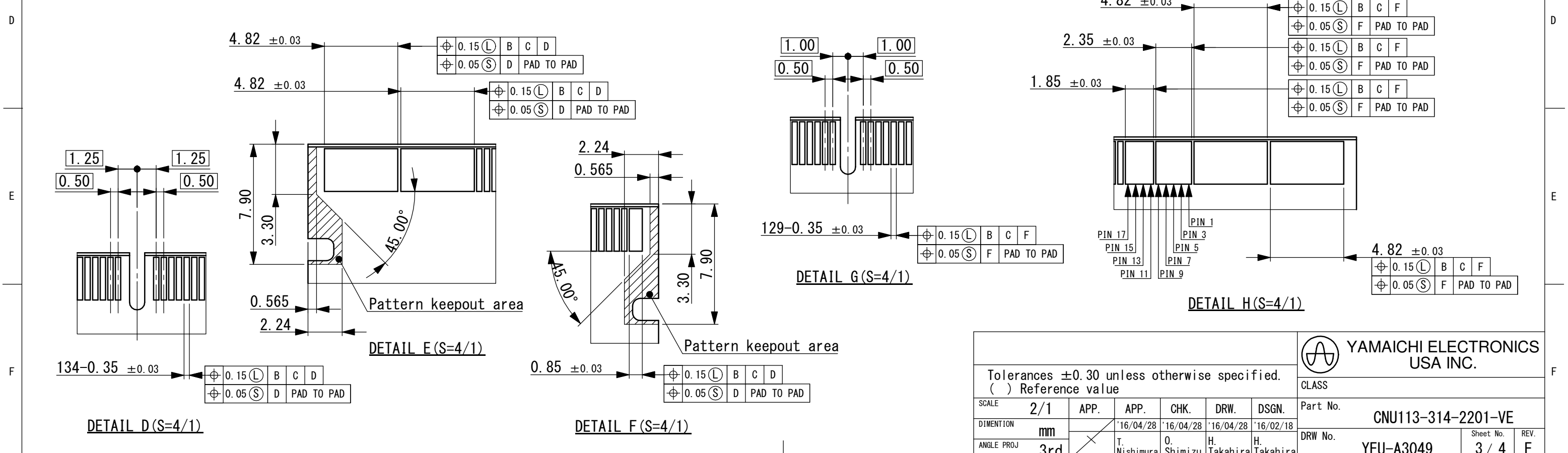
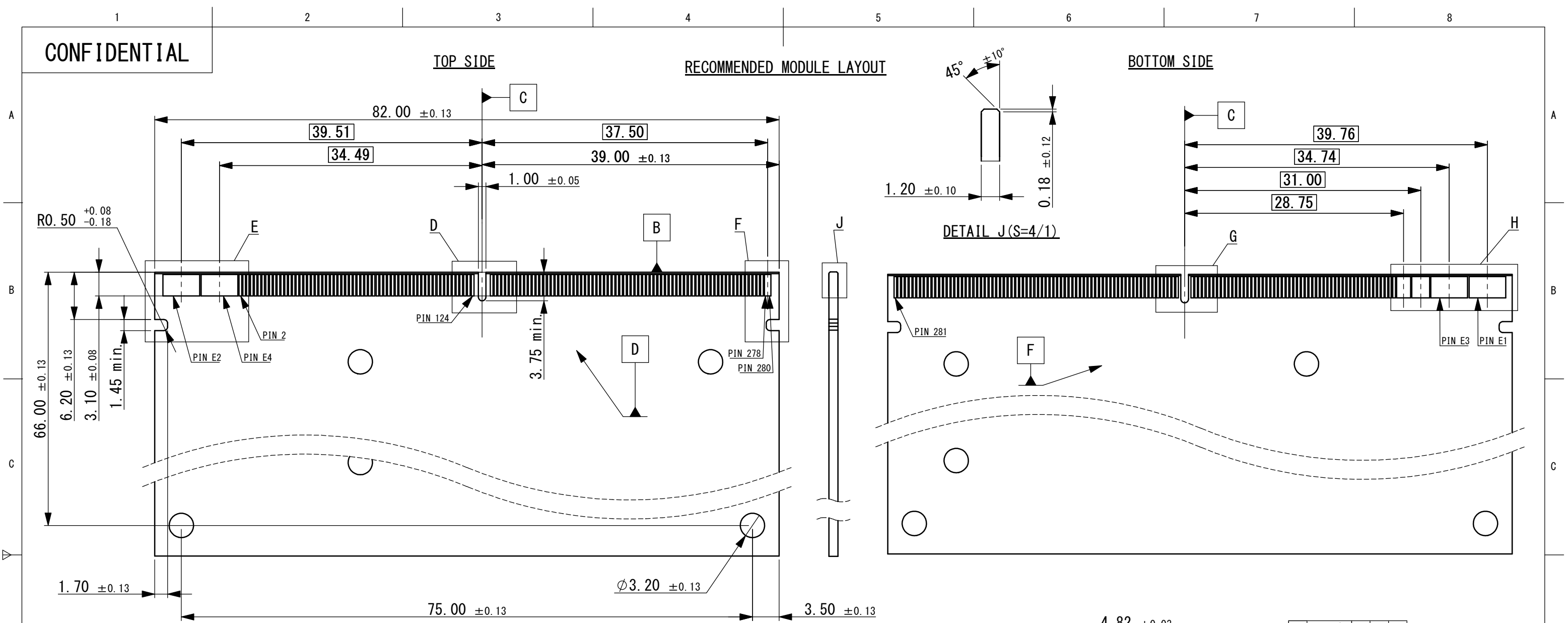
Tolerances ±0.30 unless otherwise specified. ( ) Reference value							
SCALE	2/1	APP.	APP.	CHK.	DRW.	DSGN.	CLASS
DIMENSION	mm						Part No.
ANGLE PROJ	3rd						CNU113-314-2201-VE
		T. Nishimura	O. Shimizu	H. Takahira	H. Takahira		DRW No.
							YEU-A3049
							Sheet No.
							2 / 4
							REV.
							E

CONFIDENTIAL

TOP SIDE

RECOMMENDED MODULE LAYOUT

BOTTOM SIDE



Tolerances $\pm 0.30$ unless otherwise specified. ( ) Reference value						
SCALE	2/1	APP.	APP.	CHK.	DRW.	
DIMENSION	mm		'16/04/28	'16/04/28	'16/04/28	'16/02/18
ANGLE PROJ	3rd		T. Nishimura	O. Shimizu	H. Takahira	H. Takahira
CLASS						Part No.
						CNU113-314-2201-VE
DRW No.						Sheet No.
YEU-A3049						3 / 4
						REV. E
						A3-001