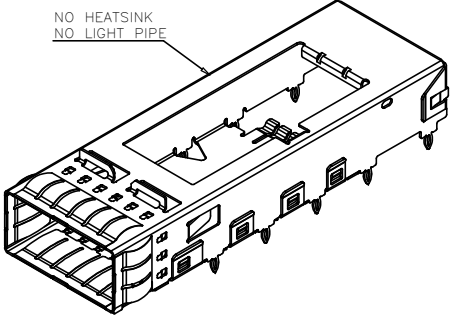
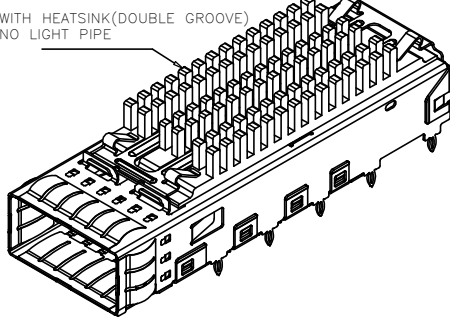
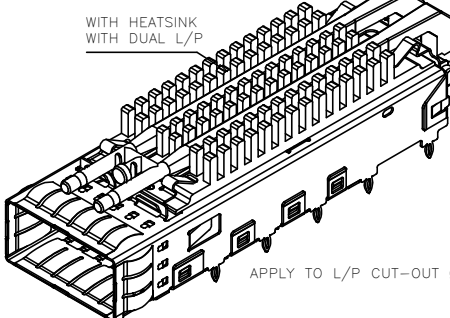
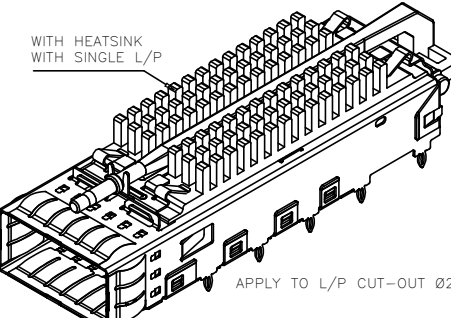
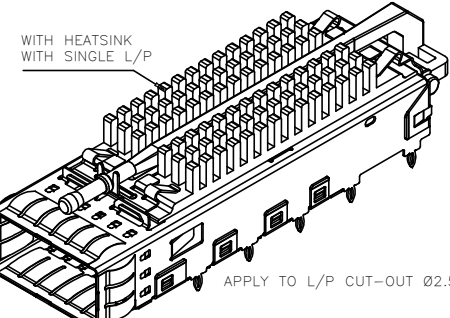
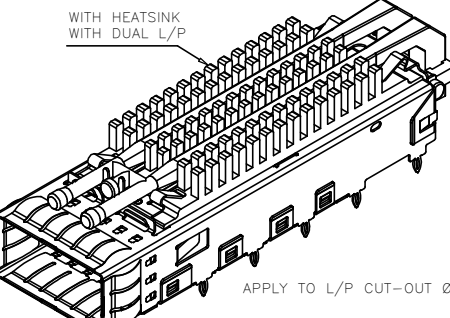



REVISION DESCRIPTION		APP.	DRW.	DATE	CHANGE No.
△ X 4	Add configuration	K.A	O.S	15/02/05	DC15-0005
△ X 3	Add configuration	K.A	O.S	15/03/11	DC15-0012
△ X					

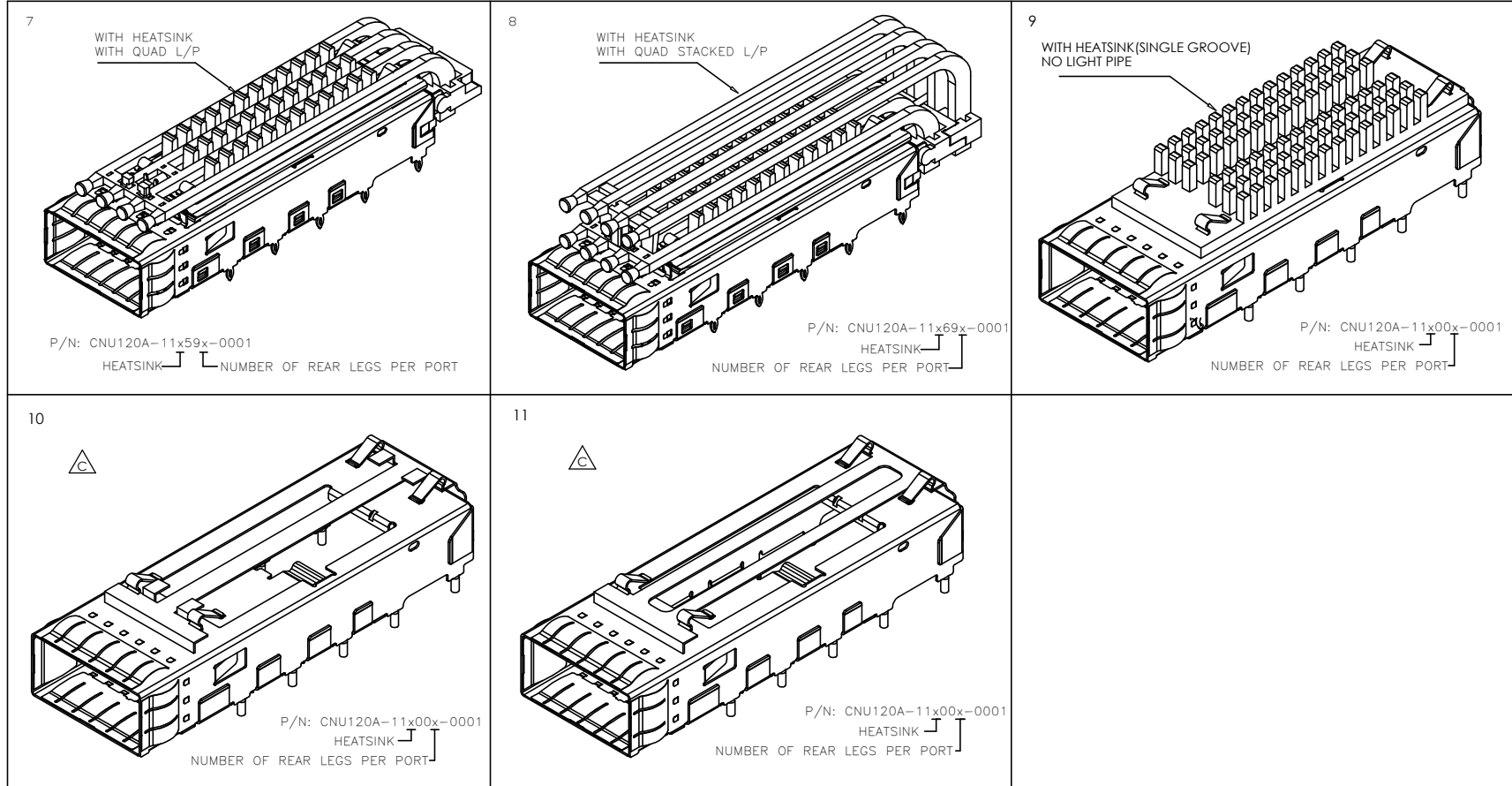
TYPE OPTIONALS, nQSFP+ / QSFP+ STYLE B , 1X1 CAGE ASSEMBLY, SPRING FINGER

<p>1</p>  <p>NO HEATSINK NO LIGHT PIPE</p> <p>P/N: CNU120A-11000x-0001</p> <p>NUMBER OF REAR LEGS PER PORT</p>	<p>2</p>  <p>WITH HEATSINK(DOUBLE GROOVE) NO LIGHT PIPE</p> <p>P/N: CNU120A-11x00x-0001</p> <p>HEATSINK NUMBER OF REAR LEGS PER PORT</p>	<p>3</p>  <p>WITH HEATSINK WITH DUAL L/P</p> <p>P/N: CNU120A-11x26x-0001</p> <p>HEATSINK NUMBER OF REAR LEGS PER PORT</p> <p>APPLY TO L/P CUT-OUT Ø2.11</p>
<p>4</p>  <p>WITH HEATSINK WITH SINGLE L/P</p> <p>P/N: CNU120A-11x16x-0001</p> <p>HEATSINK NUMBER OF REAR LEGS PER PORT</p> <p>APPLY TO L/P CUT-OUT Ø2.11</p>	<p>5</p>  <p>WITH HEATSINK WITH SINGLE L/P</p> <p>P/N: CNU120A-11x18x-0001</p> <p>HEATSINK NUMBER OF REAR LEGS PER PORT</p> <p>APPLY TO L/P CUT-OUT Ø2.54</p> <p>SEE NOTE 1</p>	<p>6</p>  <p>WITH HEATSINK WITH DUAL L/P</p> <p>P/N: CNU120A-11x28x-0001</p> <p>HEATSINK NUMBER OF REAR LEGS PER PORT</p> <p>APPLY TO L/P CUT-OUT Ø2.54</p>

NOTE:
1. PLEASE CHECK PART NUMBER DESCRIPTION AT PAGE 11 AND PAGE12

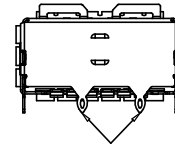
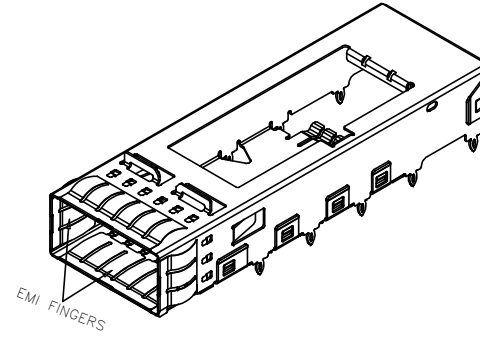
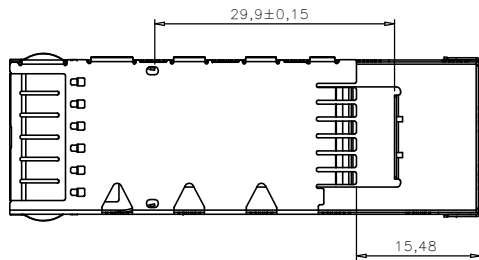
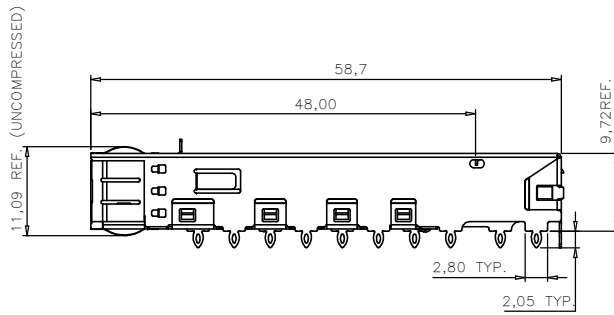
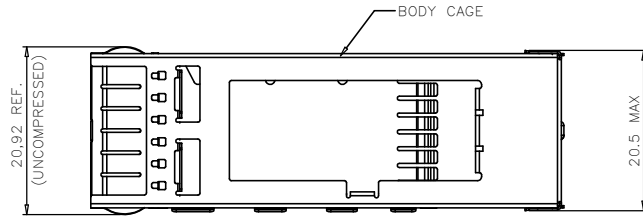
Tolerances ±0.30 unless otherwise specified. () Reference value						 YAMAICHI ELECTRONICS USA INC.	
						CLASS QSFP 1x1 TypeB(EMI finger)	
SCALE 3/2	APP.	APP.	CHK.	DRW.	DSGN.	Part #	
DIMENTION mm						CNU120A-11xxxx-0001	
ANGLE PROJ 3rd		K. Abe	K. Abe	O. Shimizu	O. Shimizu	DRW No.	Sheet No. REV.
						YEU-A2517	1/14 C

TYPE OPTIONALS, nQSFP+ / QSFP+ STYLE B , 1X1 CAGE ASSEMBLY, SPRING FINGER

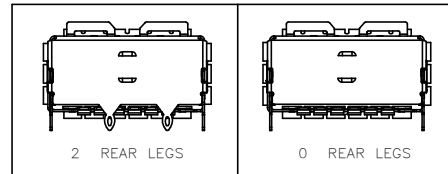


Tolerances ± 0.30 unless otherwise specified. () Reference value						CLASS QSFP 1x1 TypeB(EMI finger)	
SCALE	3/2	APP.	APP.	CHK.	DRW.	DSGN.	Part #
DIMENSION	mm	'14/11/05	'14/11/05	'14/11/05	'14/11/05	'14/11/05	CNU120A-11xxxx-0001
ANGLE PROJ	3rd	K. Abe	K. Abe	O. Shimizu	O. Shimizu		DRW No. YEU-A2517
						Sheet No.	REV.
						2/14	C

CAGE DETAILS



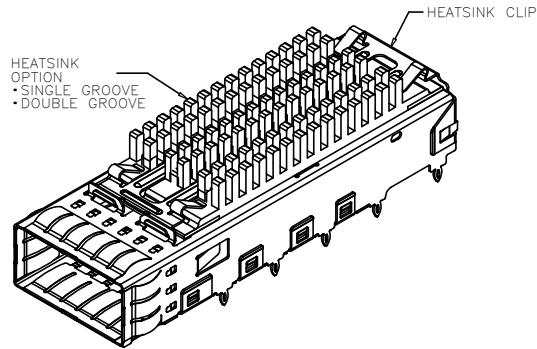
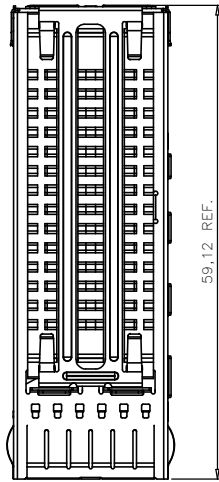
REAR LEG OPTIONALS



1. MATERIALS:
 BODY CAGE: STAINLESS STEEL, 0.25 THICKNESS
 EMI FINGER: STAINLESS STEEL
 HEATSINK: ALUMINUM
 HEATSINK CLIP: STAINLESS STEEL
 LIGHT PIPE MATERIAL: CLEAR POLYCARBONATE
2. SURFACE FINISH:
 BODY CAGE FINISH: CLEAN AND HOLE SEALING
 EMI SPRING FINISH: CLEAN AND HOLE SEALING
 HEATSINK FINISH: CLEAR PASSIVATION
 HEATSINK CLIP FINISH: CLEAR PASSIVATION
3. MATE WITH QSFP MSA COMPATIBLE TRANSCEIVER.
4. REFERENCE DOCUMENTS:
 PRODUCT SPECIFICATION: QSFP MSA
5. THIS PRODUCT COMPLY TO ROHS DIRECTIVE 2011/65/EU.

Tolerances ± 0.30 unless otherwise specified. () Reference value							
						CLASS QSFP 1x1 TypeB(EMI finger)	
SCALE 3/2	APP.	APP.	CHK.	DRW.	DSGN.	Part # CNU120A-11xxxx-0001	
DIMENSION mm						DRW No. YEU-A2517	
ANGLE PROJ 3rd		K. Abe	K. Abe	O. Shimizu	O. Shimizu	Sheet No. 3/14	REV. C

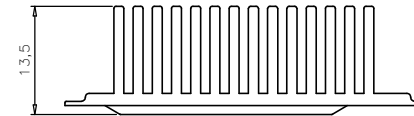
CAGE ASSEMBLY OPTIONALS (WITH HEATSINK, NO L/P)



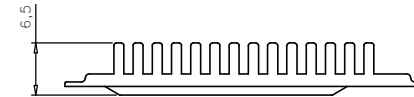
HEATSINK OPTIONALS

OVERALL HEATSINK HEIGHT	DIM "C"
PCI (HEATSINK 4.2MM TALL)	12.82
SAN (HEATSINK 6.5MM TALL)	15.12
NET (HEATSINK 13.5MM TALL)	22.12

REMARK: DIMENSION C ONLY APPLIES BEFORE MODULE INSTALLING INTO THE CAGE



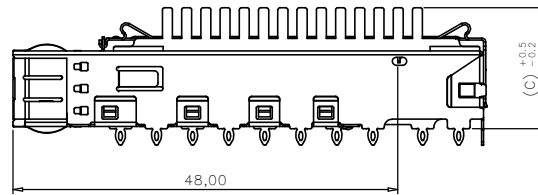
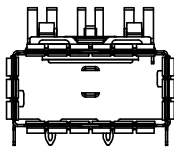
NET HEATSINK



SAN HEATSINK

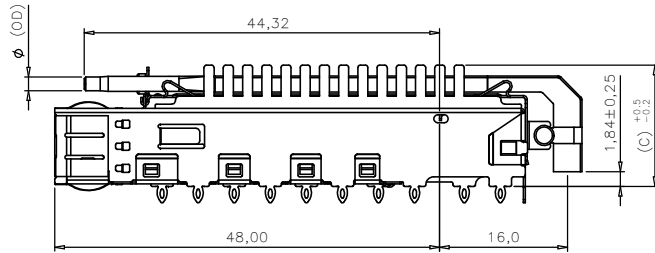
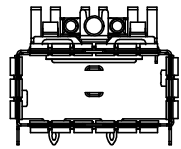
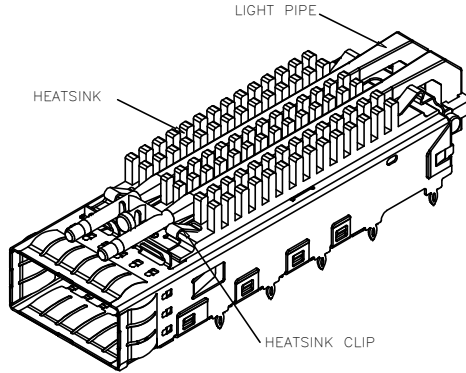
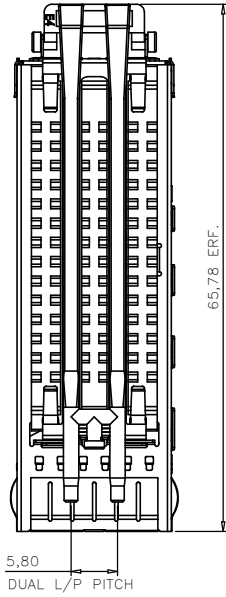


PCI HEATSINK

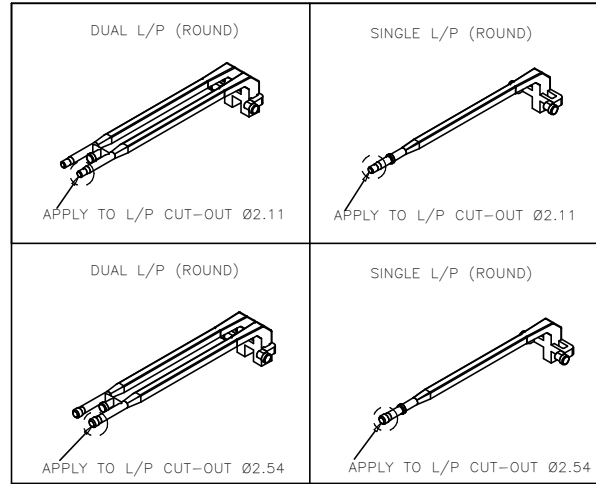


Tolerances ± 0.30 unless otherwise specified. () Reference value						YAMAICHI ELECTRONICS USA INC.						
							CLASS	QSFP 1x1 TypeB(EMI finger)				
SCALE	3/2	APP.	APP.	CHK.	DRW.	DSGN.	Part #	CNU120A-11xxxx-0001				
DIMENTION	mm						DRW No.	YEU-A2517	Sheet No.	4/14	REV.	C
ANGLE PROJ	3rd		K. Abe	K. Abe	O. Shimizu	O. Shimizu						

CAGE ASSEMBLY OPTIONALS (DUAL L/P OR SINGLE L/P)



LIGHT PIPE OPTIONALS



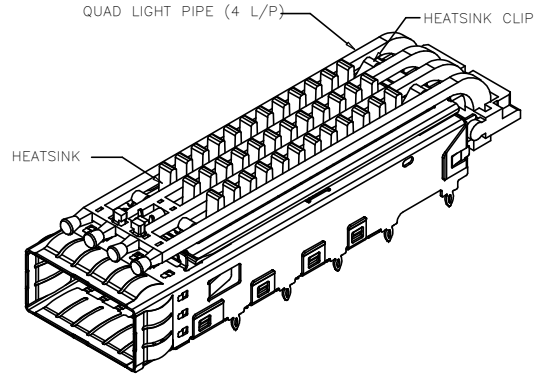
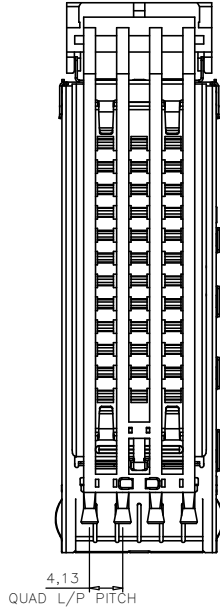
HEATSINK OPTIONALS

OVERALL HEATSINK HEIGHT	DIM "C"
PCI (HEATSINK 4.2MM TALL)	12.82
SAN (HEATSINK 6.5MM TALL)	15.12
NET (HEATSINK 13.5MM TALL)	22.12

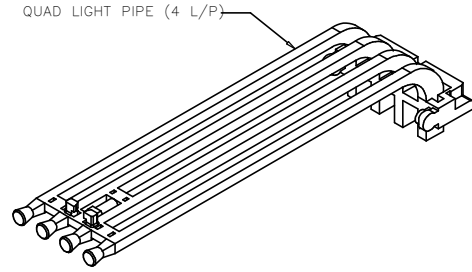
REMARK: DIMENSION C ONLY APPLIES BEFORE MODULE INSTALLING INTO THE CAGE

<p>Tolerances ± 0.30 unless otherwise specified. () Reference value</p>								
						<p>CLASS QSFP 1x1 TypeB(EMI finger)</p>		
SCALE	3/2	APP.	APP.	CHK.	DRW.	DSGN.	Part #	
DIMENSION	mm						CNU120A-11xxxx-0001	
ANGLE PROJ	3rd		K. Abe	K. Abe	O. Shimizu	O. Shimizu	DRW No. YEU-A2517	
							Sheet No. 5/14	REV. C

CAGE ASSEMBLY OPTIONALS (4 L/P)



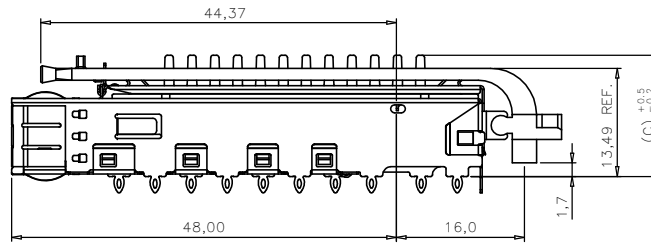
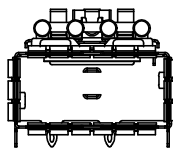
LIGHT PIPE OPTIONALS



HEATSINK OPTIONALS

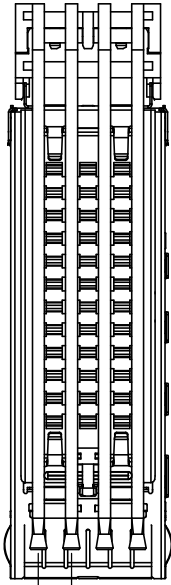
OVERALL HEATSINK HEIGHT	DIM "C"
PCI (HEATSINK 4.2MM TALL)	12.82
SAN (HEATSINK 6.5MM TALL)	15.12
NET (HEATSINK 13.5MM TALL)	22.12

REMARK: DIMENSION C ONLY APPLIES BEFORE MODULE INSTALLING INTO THE CAGE

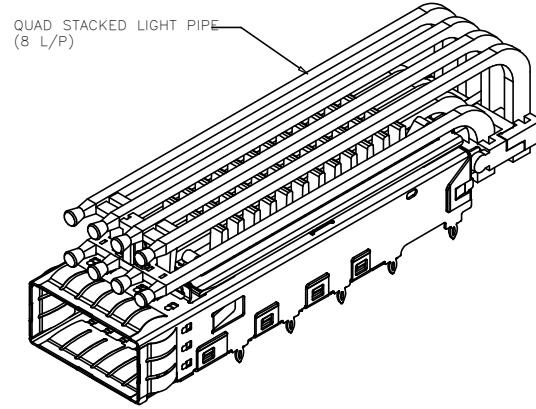
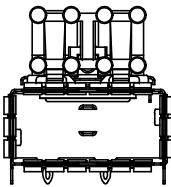


Tolerances ± 0.30 unless otherwise specified. () Reference value						YAMAICHI ELECTRONICS USA INC.	
						CLASS QSFP 1x1 TypeB(EMI finger)	
SCALE 3/2	APP.	APP.	CHK.	DRW.	DSGN.	Part # CNU120A-11xxxx-0001	
DIMENSION mm						DRW No. YEU-A2517	
ANGLE PROJ 3rd		K. Abe	K. Abe	O. Shimizu	O. Shimizu	Sheet No. 6/14	REV. C

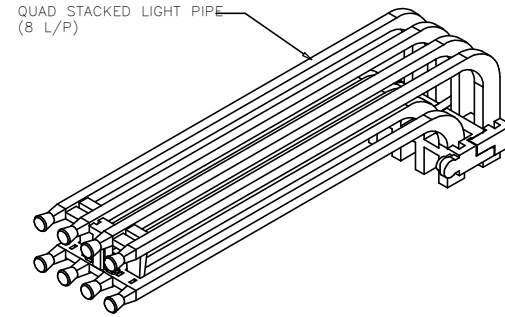
CAGE ASSEMBLY OPTIONS (8 L/P)



4,13
QUAD STACKED L/P PITCH



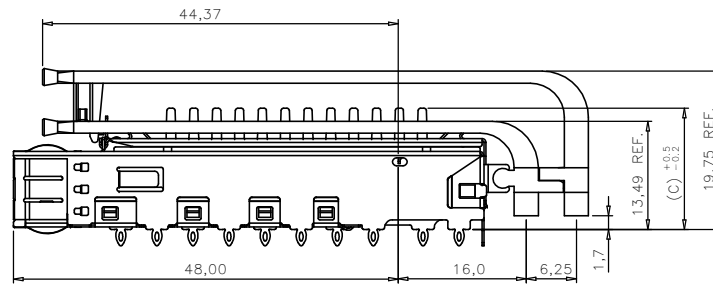
LIGHT PIPE OPTIONS



HEATSINK OPTIONS

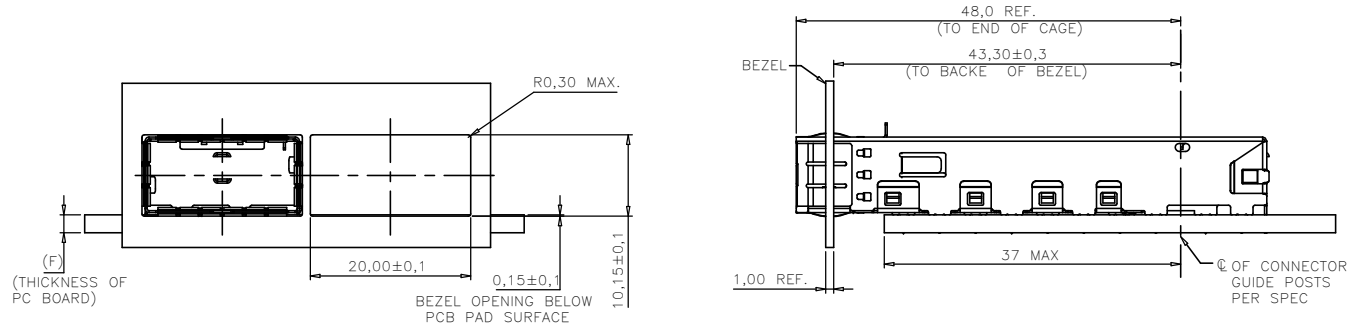
OVERALL HEATSINK HEIGHT	DIM "C"
PCI (HEATSINK 4.2MM TALL)	12.82
SAN (HEATSINK 6.5MM TALL)	15.12
NET (HEATSINK 13.5MM TALL)	22.12

REMARK: DIMENSION C ONLY APPLIES BEFORE MODULE INSTALLING INTO THE CAGE

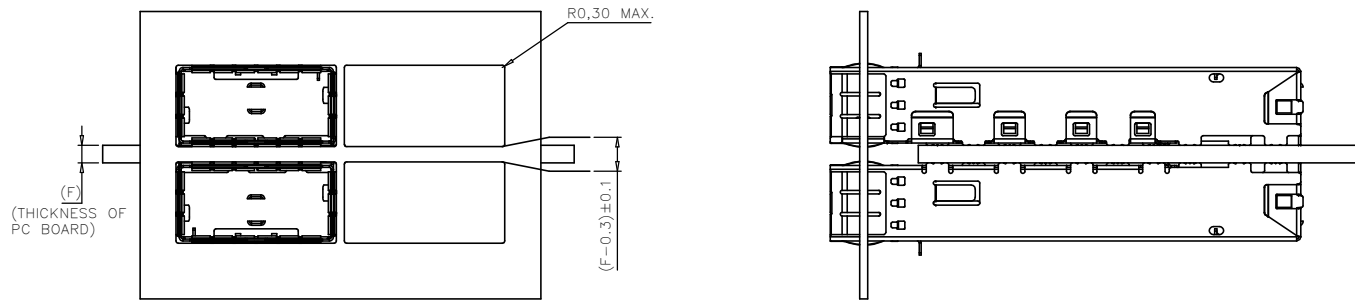


Tolerances ± 0.30 unless otherwise specified. () Reference value							
						CLASS QSFP 1x1 TypeB(EMI finger)	
SCALE 3/2	APP.	APP.	CHK.	DRW.	DSGN.	Part # CNU120A-11xxxx-0001	
DIMENSION mm				'14/11/05	'14/11/05	DRW No. YEU-A2517	
ANGLE PROJ 3rd		K. Abe	K. Abe	O. Shimizu	O. Shimizu	Sheet No. 7/14	REV. C

BEZEL AND BOARD POSITION DIMENSION
FOR SINGLE SIDE MOUNTING (SPRING FINGER)



BEZEL AND BOARD POSITION DIMENSION
FOR BELLY TO BELLY MOUNTING (SPRING FINGER)

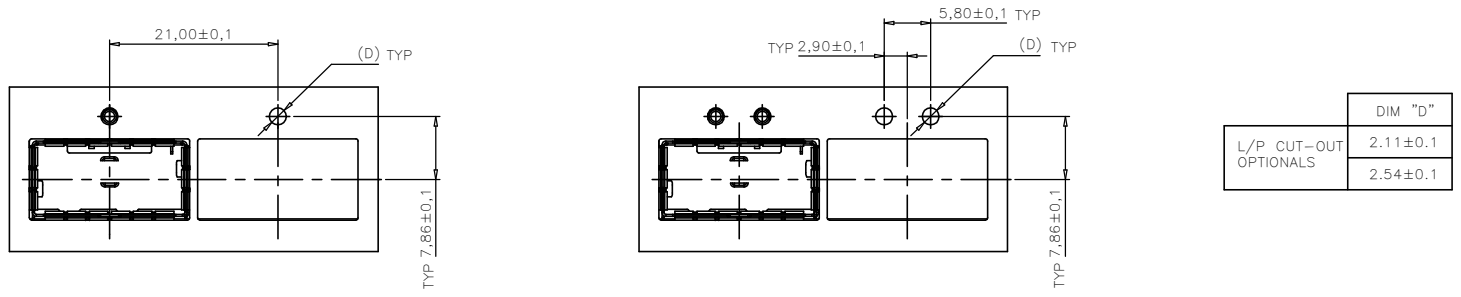


NOTES:

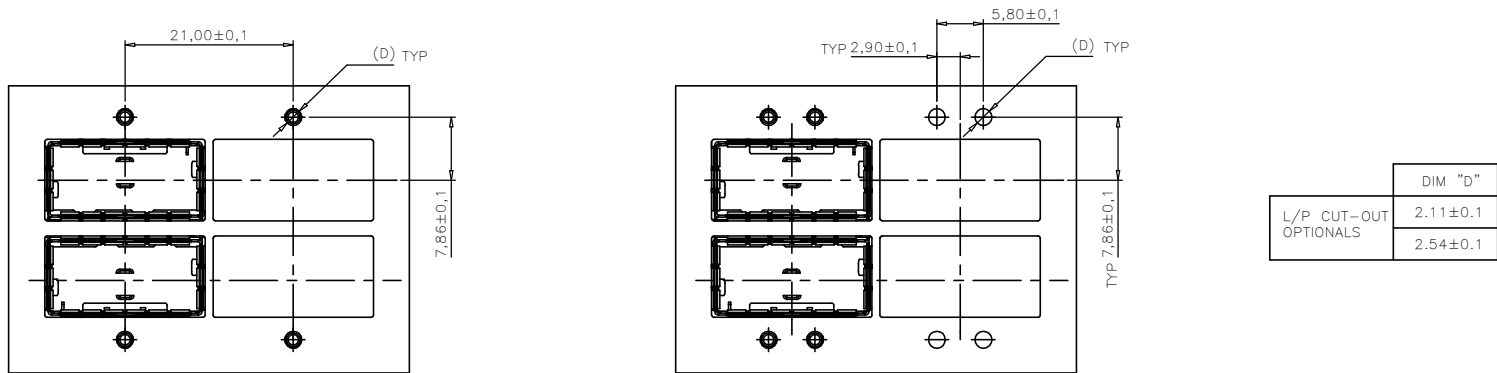
1. THE NORMAL THICKNESS OF CUSTOMER SUPPLIED PC BOARD.(DIM. "F")
SINGLE SIDED PC BOARD THICKNESS: 1.60mm MIN.
BELLY TO BELLY PC BOARD MIN. THICKNESS: 2.2mm MIN.


Tolerances ± 0.30 unless otherwise specified. () Reference value						YAMAICHI ELECTRONICS USA INC.	
						CLASS QSFP 1x1 TypeB(EMI finger)	
SCALE 3/2	APP.	APP.	CHK.	DRW.	DSGN.	Part # CNU120A-11xxxx-0001	
DIMENSION mm						DRW No. YEU-A2517	
ANGLE PROJ 3rd		K. Abe	K. Abe	O. Shimizu	O. Shimizu	Sheet No. 8/14	REV. C

BEZEL L/P CUT-OUT POSITION DIMENSION FOR SINGLE SIDE MOUNTING (FOR SINGLE L/P AND DUAL L/P)

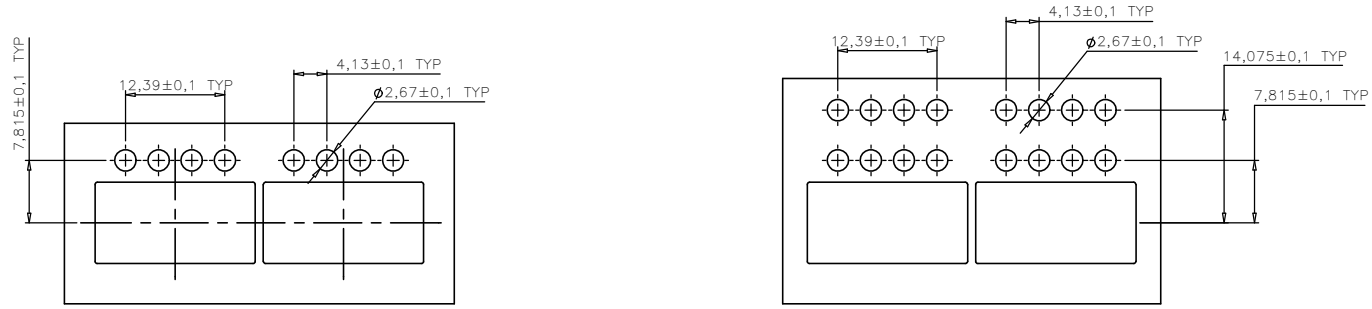


BEZEL L/P CUT-OUT POSITION DIMENSION FOR BELLY TO BELLY MOUNTING (FOR SINGLE L/P AND DUAL L/P)

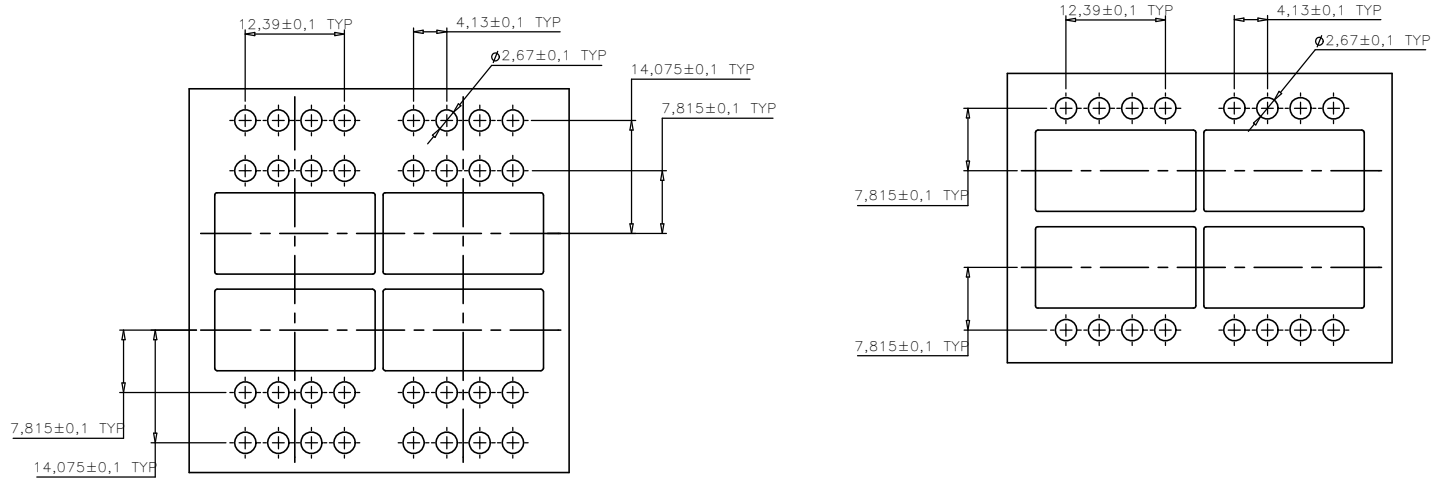


						 YAMAICHI ELECTRONICS USA INC.	
Tolerances ±0.30 unless otherwise specified. () Reference value						CLASS QSFP 1x1 TypeB(EMI finger)	
SCALE	3/2	APP.	APP.	CHK.	DRW.	DSGN.	Part #
DIMENSION	mm	'14/11/05	'14/11/05	'14/11/05	'14/11/05	'14/11/05	CNU120A-11xxxx-0001
ANGLE PROJ	3rd	K. Abe	K. Abe	O. Shimizu	O. Shimizu		DRW No. YEU-A2517
							Sheet No. 9/14
							REV. C

BEZEL L/P CUT-OUT POSITION DIMENSION FOR SINGLE SIDE MOUNTING (FOR 4 L/P AND 8 L/P)



BEZEL L/P CUT-OUT POSITION DIMENSION FOR BELLY TO BELLY MOUNTING (FOR 4 L/P AND 8 L/P)



Tolerances ± 0.30 unless otherwise specified. () Reference value						CLASS QSFP 1x1 TypeB(EMI finger)	
SCALE	3/2	APP.	APP.	CHK.	DRW.	DSGN.	Part #
DIMENTION	mm						CNU120A-11xxxx-0001
ANGLE PROJ	3rd		K. Abe	K. Abe	O. Shimizu	O. Shimizu	DRW No. YEU-A2517
						Sheet No.	REV.
						10/14	C

CONFIDENTIAL

PART NUMBER OPTIONALS


CNU120A-11xxxx-0001

- △ HEATSINK
 - 0= NO HEATSINK
 - a= NO HEATSINK WITH SINGLE GROOVE CLIP
 - b= NO HEATSINK WITH DOUBLE GROOVE GLIP
 - 1= NET (HEATSINK 13.5MM TALL,DOUBLE GROOVE)
 - 2= SAN (HEATSINK 6.5MM TALL,DOUBLE GROOVE)
 - 3= PCI (HEATSINK 4.2MM TALL,DOUBLE GROOVE)
 - 4= NET (HEATSINK 13.5MM TALL,SINGLE GROOVE)
 - 5= SAN (HEATSINK 6.5MM TALL,SINGLE GROOVE)
 - 6= PCI (HEATSINK 4.2MM TALL,SINGLE GROOVE)

- LIGHT PIPE
 - 0= NO LIGHT PIPE
 - 1= SINGLE LIGHT PIPE (ROUND)
 - 2= DUAL LIGHT PIPE (ROUND)
 - 5= QUAD LIGHT PIPE (ROUND)
 - 6= QUAD STACKED LIGHT PIPE (ROUND)

NUMBER OF REAR LEGS PER PORT
 0= 2 LEGS (DEFAULT)
 N= 0 LEG (NO LEG)

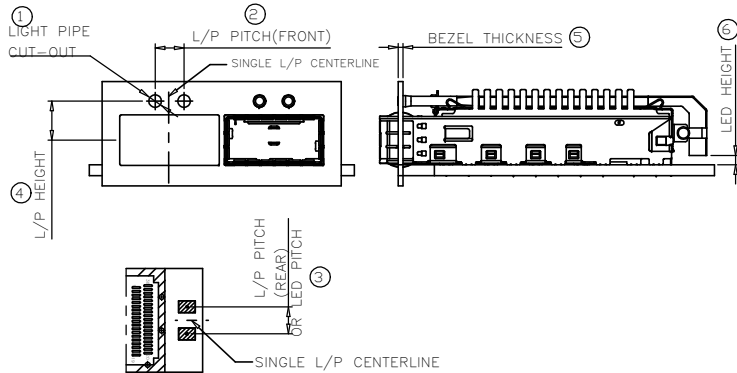
MATING BEZEL
 SEE TABLE 1

						 YAMAICHI ELECTRONICS USA INC.	
Tolerances ±0.30 unless otherwise specified. () Reference value						CLASS QSFP 1x1 TypeB(EMI finger)	
SCALE	3/2	APP.	APP.	CHK.	DRW.	DSGN.	Part #
DIMENTION	mm						CNU120A-11xxxx-0001
ANGLE PROJ	3rd						DRW No. YEU-A2517
		K. Abe	K. Abe	O. Shimizu	O. Shimizu		Sheet No. 11/14
							REV. C

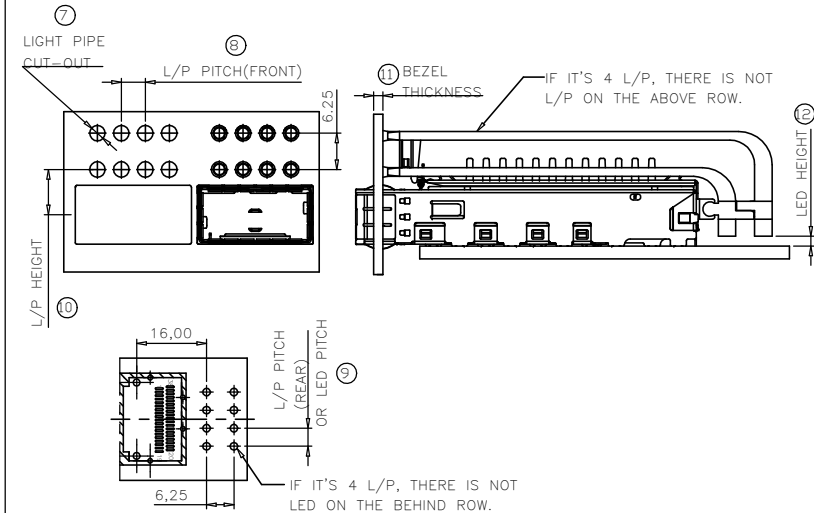
PART NUMBER OPTIONALS

TABLE 1

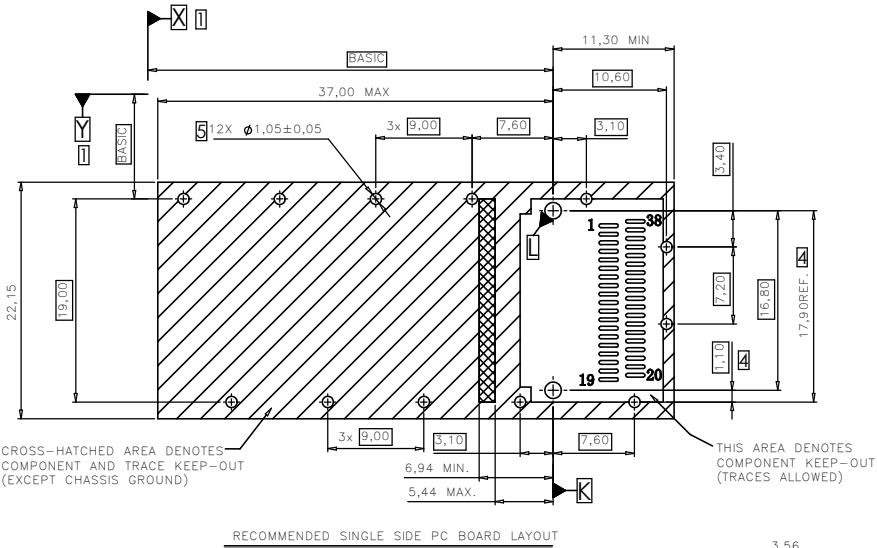
MATING BEZEL (TYPE 1)								
THE DIMENSION FOR MATING BEZEL (UNIT: MM)								
CODE	L/P APPEARANCE	L/P CUT-OUT	L/P PITCH (FRONT)	L/P PITCH (REAR)	L/P HEIGHT	BEZEL THICKNESS	LED HEIGHT	REMARK
0	NO L/P							NO LIGHT PIPE
6	ROUND	Ø2.11	5.80	5.80	7.86	1.0~1.6	0.8~1.1	APPLICABLE
8	ROUND	Ø2.54	5.80	5.80	7.86	1.0~1.6	0.8~1.1	APPLICABLE



MATING BEZEL (TYPE 2)								
THE DIMENSION FOR MATING BEZEL (UNIT: MM)								
CODE	L/P APPEARANCE	L/P CUT-OUT	L/P PITCH (FRONT)	L/P PITCH (REAR)	L/P HEIGHT	BEZEL THICKNESS	LED HEIGHT	REMARK
9	ROUND	Ø2.67	4.13	4.13	7.815	1.6 REF.	0.8~1.1	APPLICABLE



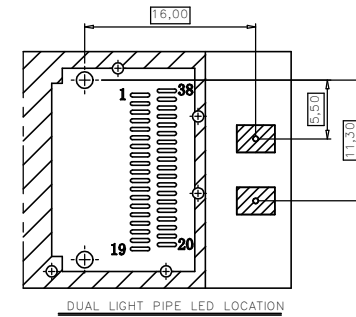
Tolerances ±0.30 unless otherwise specified. () Reference value						YAMAICHI ELECTRONICS USA INC.	
						CLASS QSFP 1x1 TypeB(EMI finger)	
SCALE 3/2	APP.	APP.	CHK.	DRW.	DSGN.	Part # CNU120A-11xxxx-0001	
DIMENSION mm						DRW No. YEU-A2517	
ANGLE PROJ 3rd		K. Abe	K. Abe	O. Shimizu	O. Shimizu	Sheet No. 12/14	REV. C



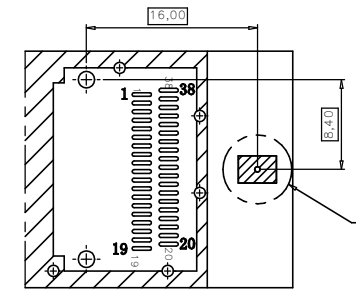
NOTES:

- 1. DATUM X & Y ARE ESTABLISHED BY THE CUSTOMER'S FIDUCIAL
- 2. DATUM A IS THE TOP SURFACE OF THE HOST BOARD
- 3. LOCATION OF THE EDGE OF PCB IS APPLICATION SPECIFIC
- 4. BASELINE FOR THESE DIMENSIONS IS THE CENTER OF COMPLIANT PIN HOLE.
- 5. FINISHED HOLE SIZE

FOR CAGE ASSEMBLIES WITH LIGHT PIPES



DUAL LIGHT PIPE LED LOCATION



SINGLE LIGHT PIPE LED LOCATION

Tolerances ± 0.30 unless otherwise specified. () Reference value						CLASS QSFP 1x1 TypeB(EMI finger)	
SCALE	3/2	APP.	APP.	CHK.	DRW.	DSGN.	Part #
DIMENSION	mm						CNU120A-11xxxx-0001
ANGLE PROJ	3rd		K. Abe	K. Abe	O. Shimizu	O. Shimizu	DRW No. YEU-A2517
							Sheet No. 13/14
							REV. C