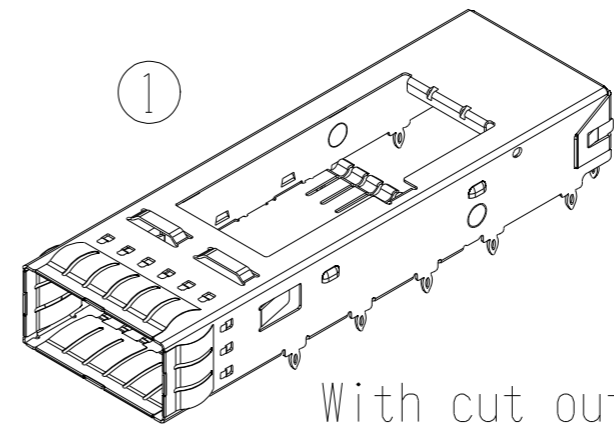
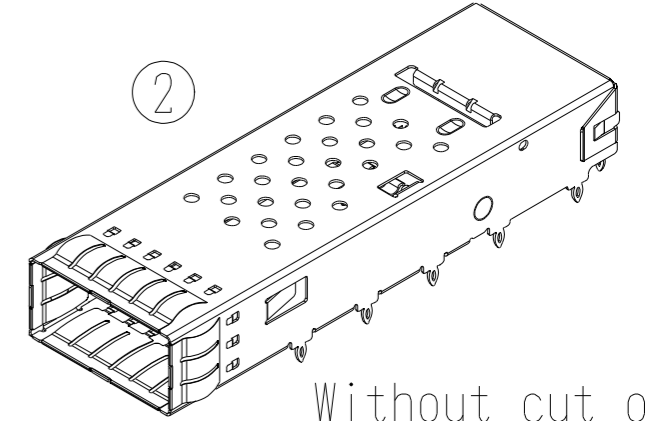


# eQSFP Cage Style A

Base cage option

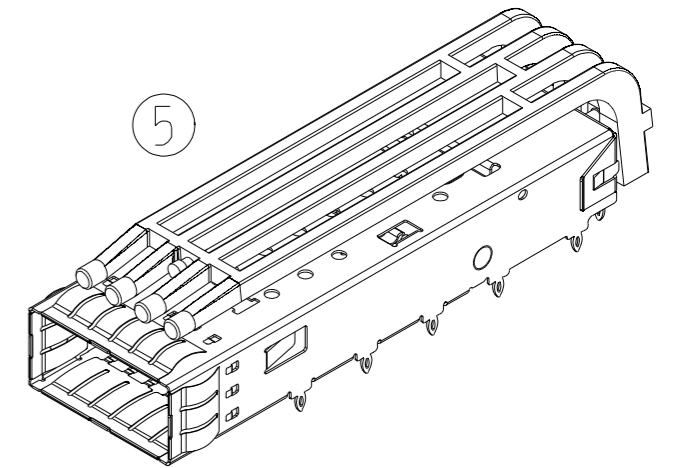
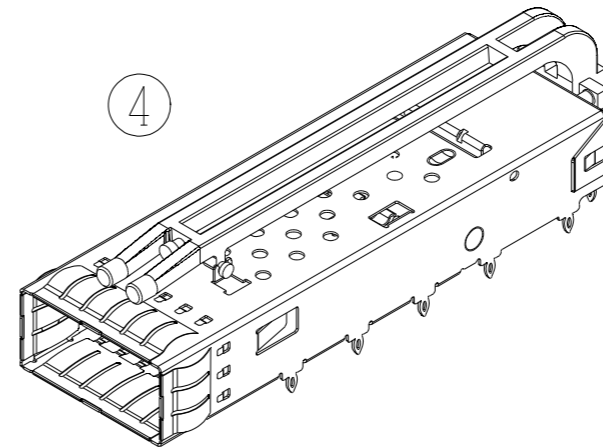
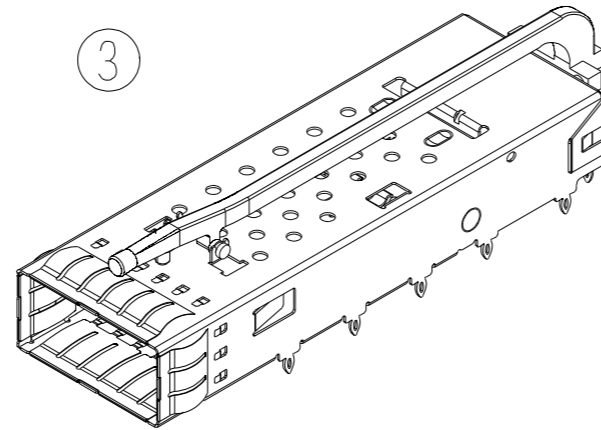


With cut out

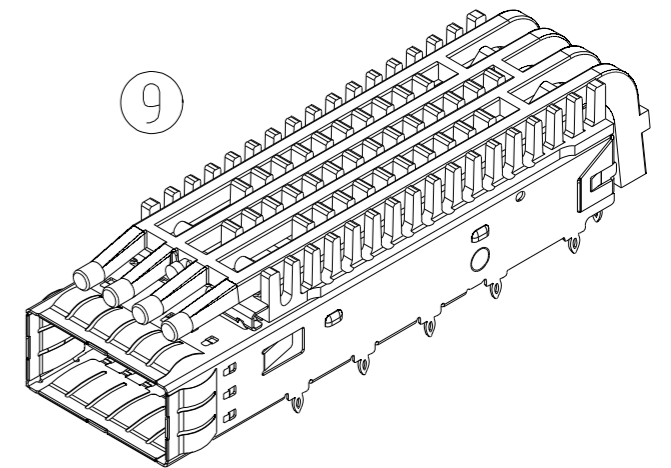
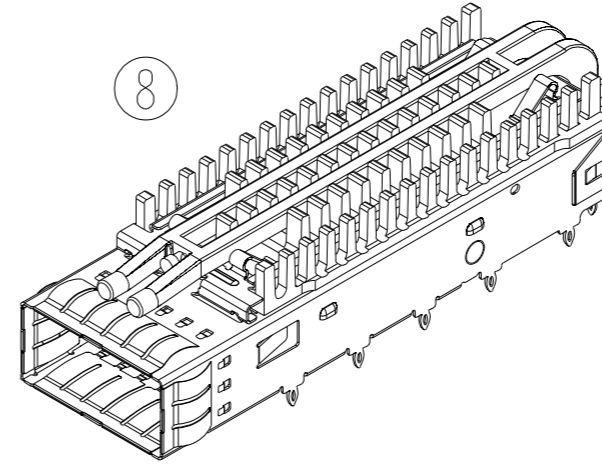
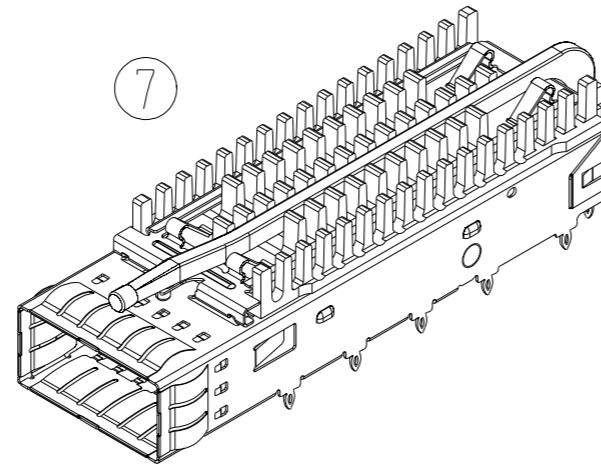
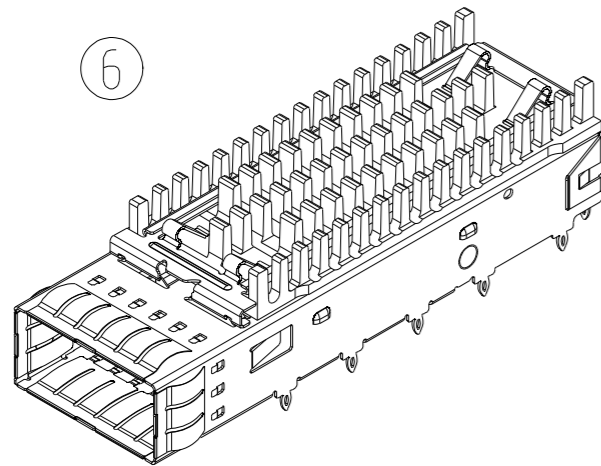


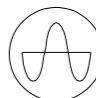
Without cut out

Light pipe option

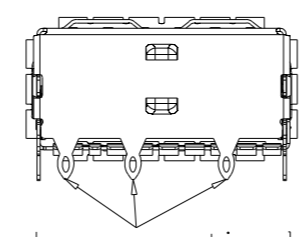
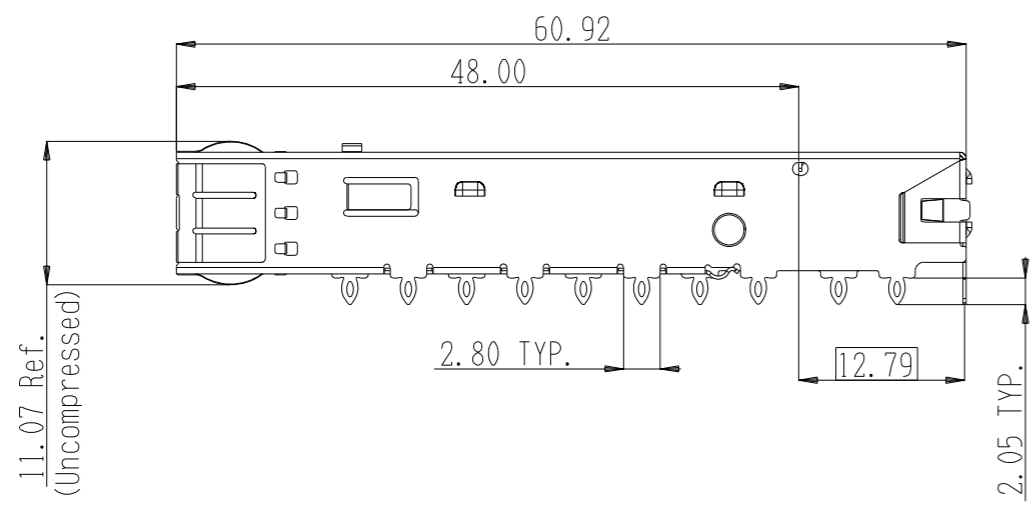
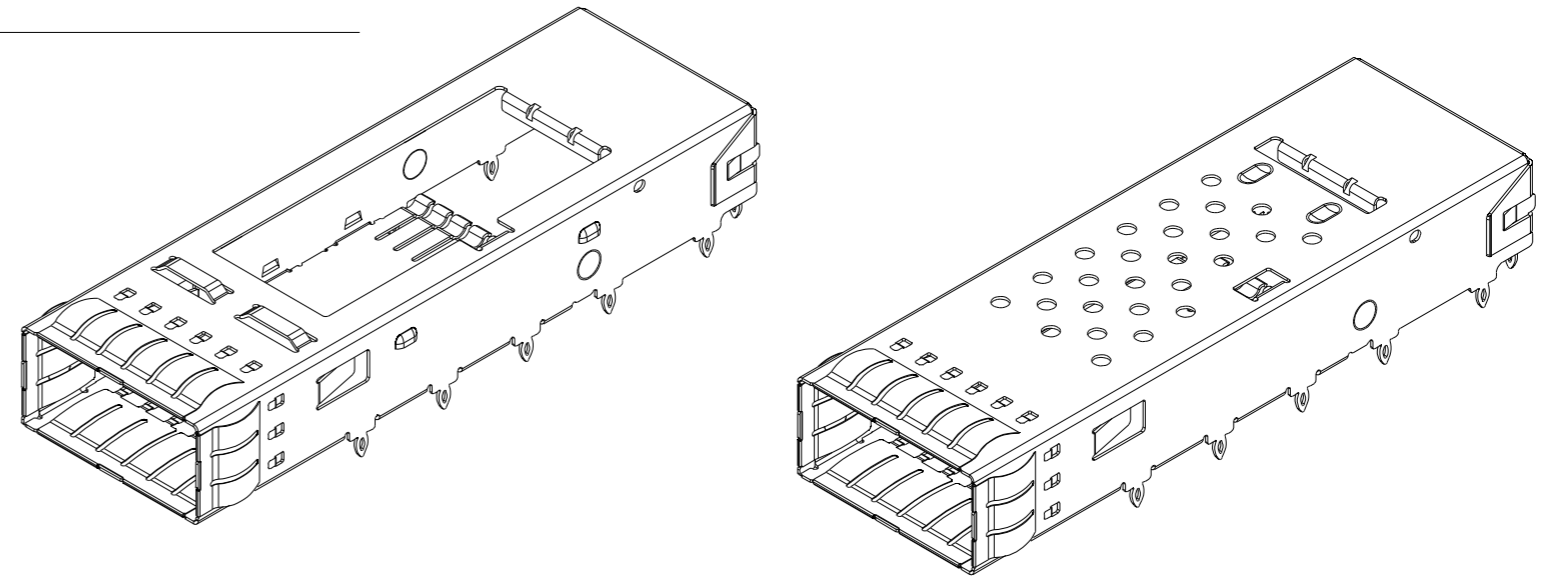
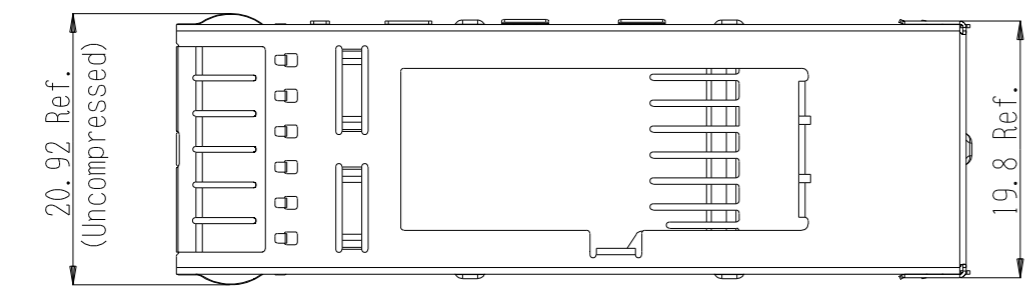


Heat sink option



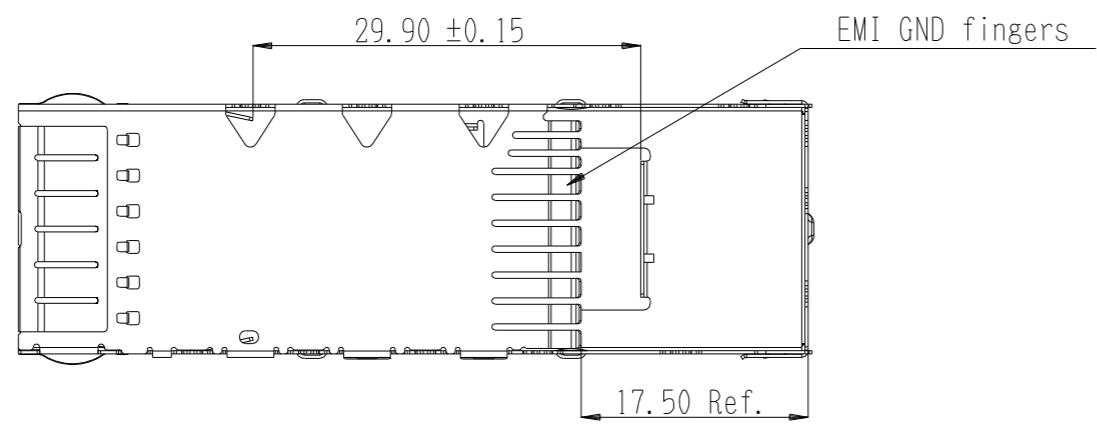
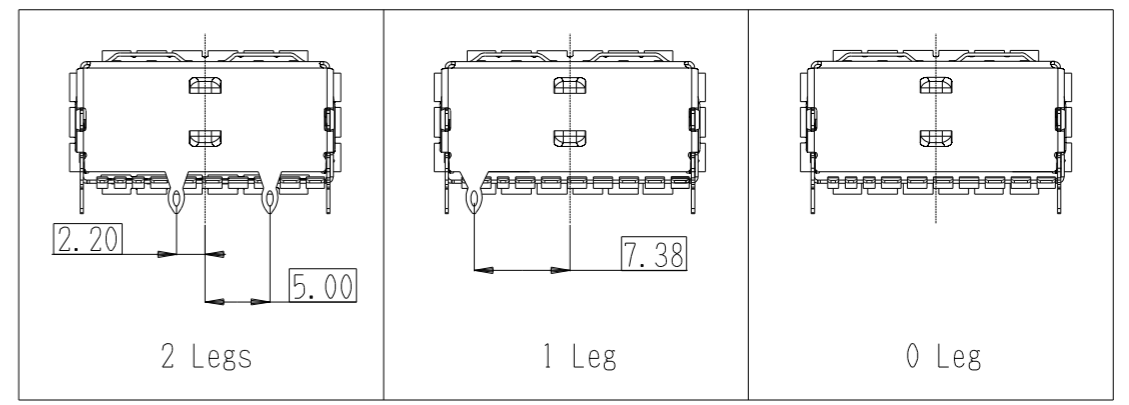
Tolerances $\pm 0.3$ unless otherwise specified. ( ) Reference value						 YAMAICHI ELECTRONICS U.S.A., INC.		
						(CLASS) QSFP cage style A (EMI finger type)		
						(TITLE) CNU120A-11xxxx-0001-A		
SCALE	3 / 2	APP.	APP.	CHK.	DRW.	DSGN.	(DRW. NO.)	
DIMENSION	mm						YEU-A2996	Sheet No.
3RD. ANGLE PROJECTION			T. Nish	H. Takahira	O. Shimizu	O. Shimizu		1 / 7
								REV.
								A

# Base dimensions



Legs are optional

### Leg options



EMI GND fingers

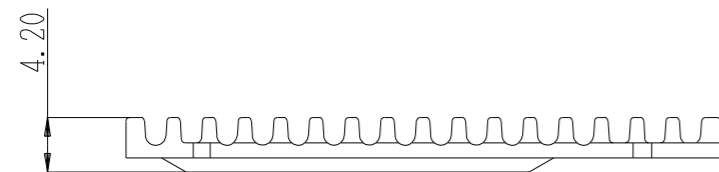
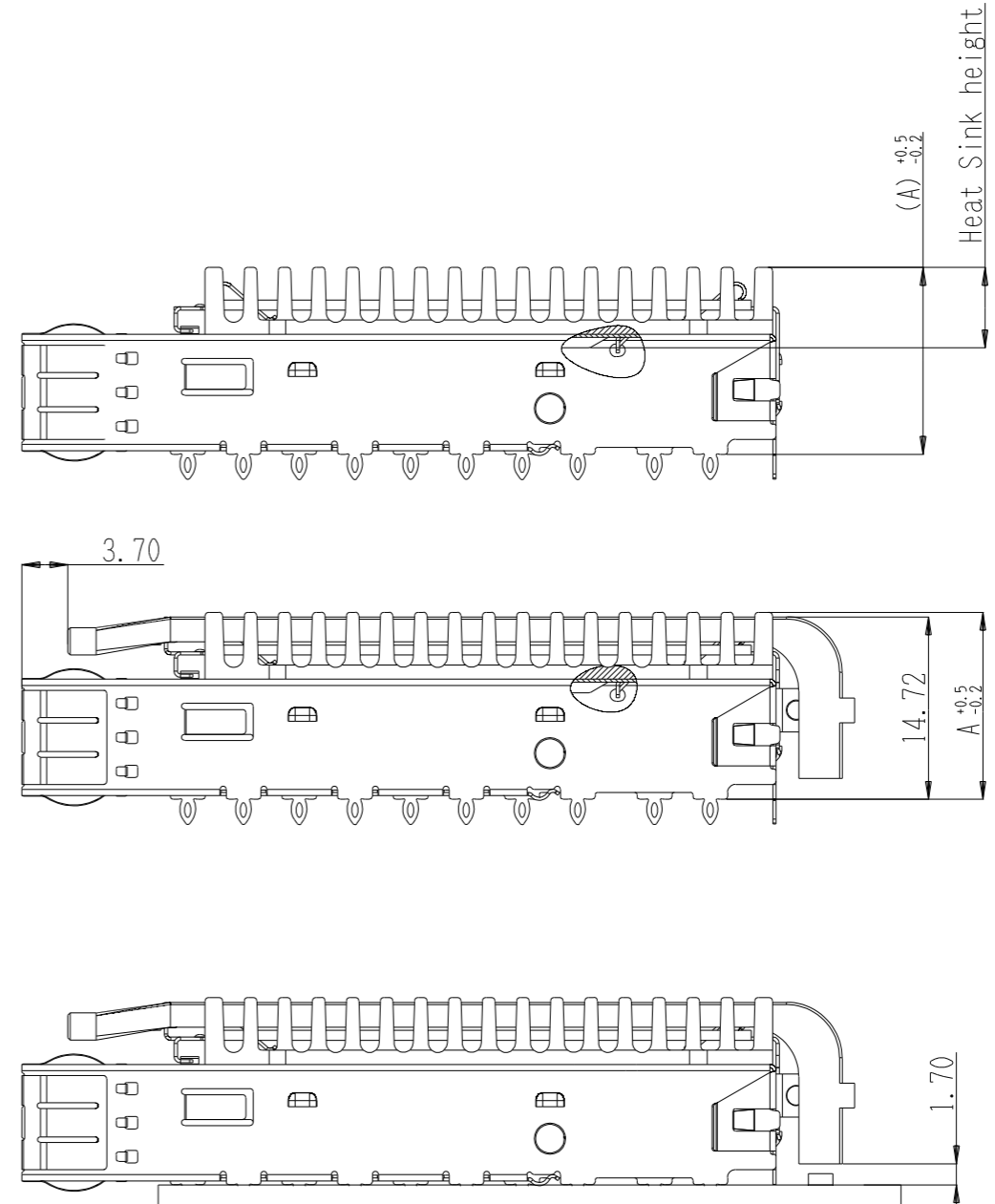
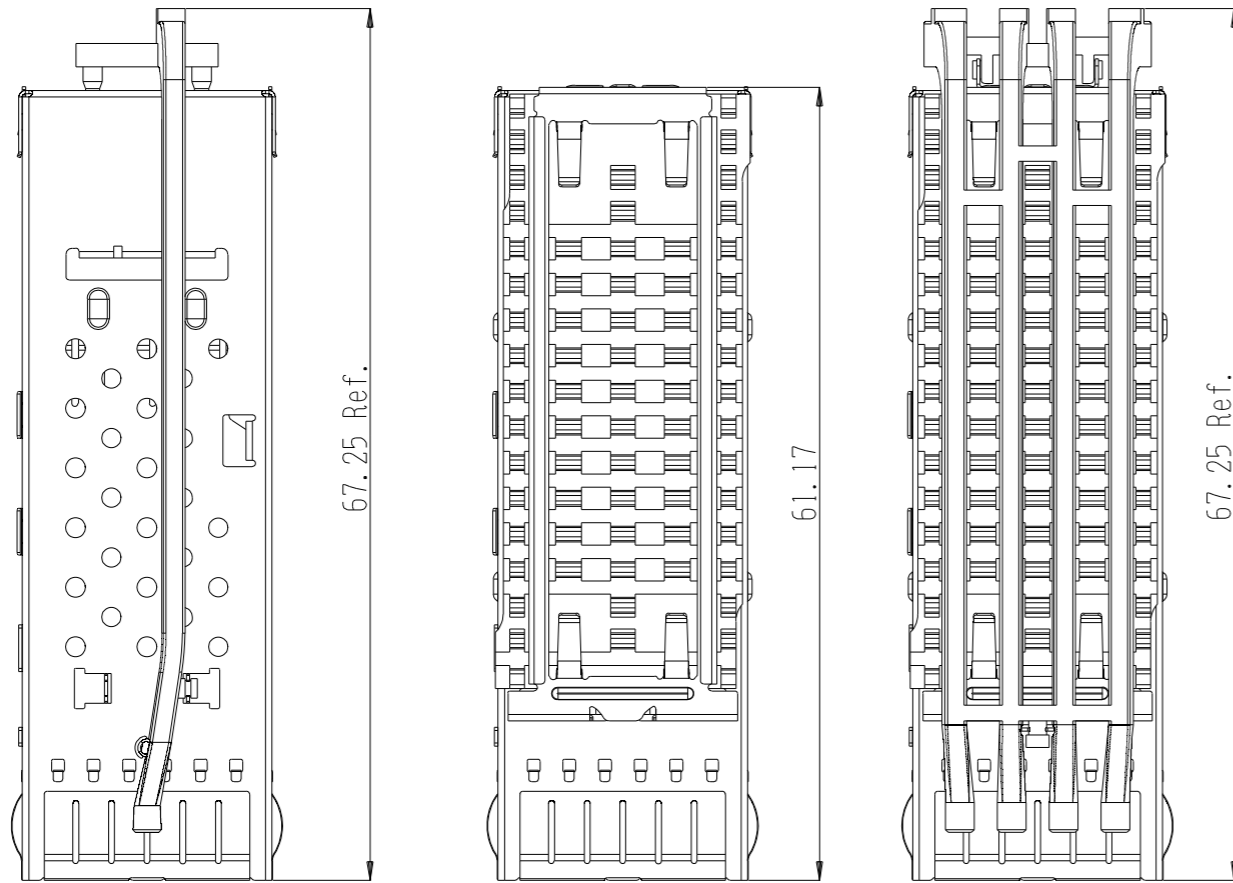
### Note.

- 1. Materials
  - Base Cage : Stainless steel, t0.25
  - EMI finger : Stainless steel
  - Heatsink : Aluminum
  - Heatsink clip : Stainless steel
  - Lite pipe : Clear polycarbonate
- 2. Surface finish
  - Case cage : Cleaning
  - EMI spring : Cleaning and hole sealing
  - Heat sink : Black anodized
  - Heatsink clip : Cleaning
- 4. Reference documents
  - Product specification: QSFP MSA
- 5. RoHS compliant

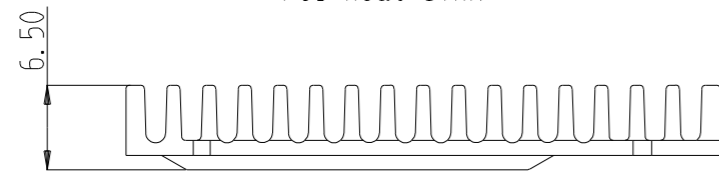
	mm
4 Place	±xx
3 Place	±0.1
2 Place	±0.2
1 Place	±0.3
Angular	X° ±2°

Tolerances ±0.3 unless otherwise specified. ( ) Reference value							
						(CLASS) QSFP cage style A (EMI finger type)	
						(TITLE) CNU120A-11xxxx-0001-A	
						(DRW. NO.) YEU-A2996	
SCALE	3 / 2	APP.	APP.	CHK.	DRW.	DSGN.	Sheet No.
DIMENSION	mm						2 / 7
3RD. ANGLE PROJECTION		T. Nish	H. Takahira	O. Shimizu	O. Shimizu		REV. A

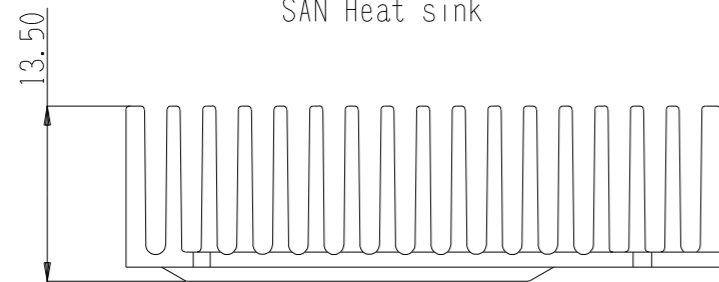
CONFIDENTIAL



PCI Heat sink



SAN Heat sink



NET Heat sink

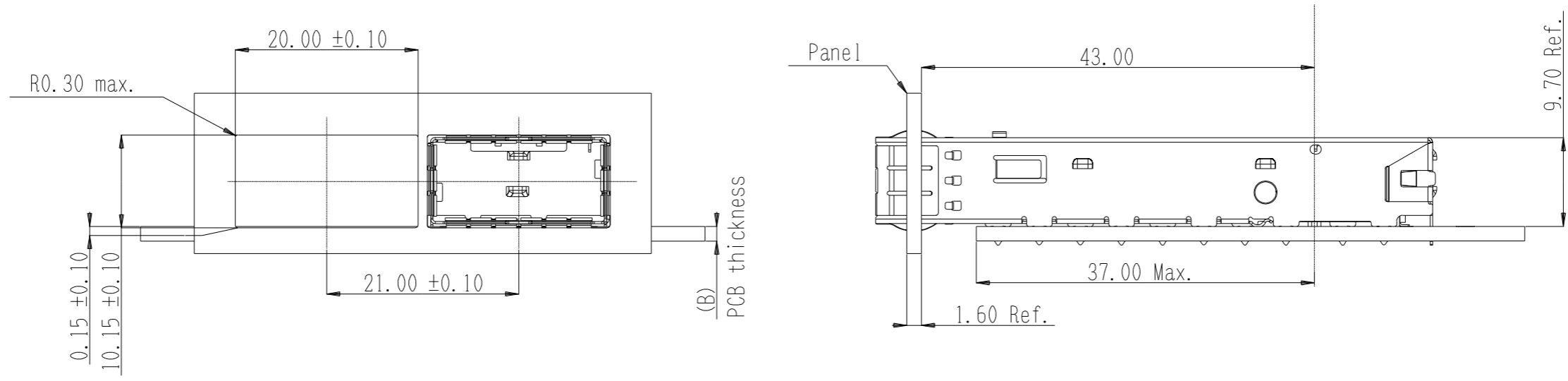
Overall Heat Sink Height	Dim. A
PCI	12.8
SAN	15.1
NET	22.1

Note. Dimension A applies before module insertion into the cage.

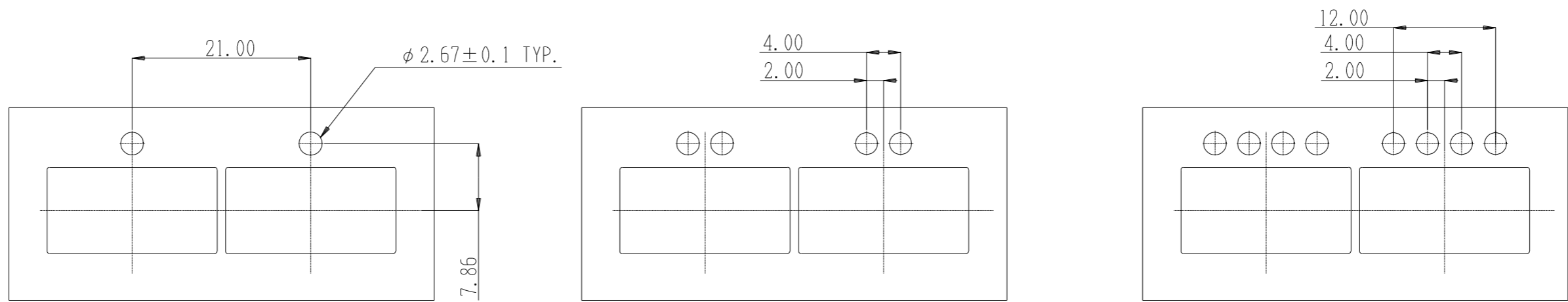
	mm
4 Place	±xx
3 Place	±0.1
2 Place	±0.2
1 Place	±0.3
Angular	X° ±2°

Tolerances ±0.3 unless otherwise specified. ( ) Reference value							
						(CLASS) QSFP cage style A (EMI finger type)	
						(TITLE) CNU120A-11xxxx-0001-A	
SCALE	3 / 2	APP.	APP.	CHK.	DRW.	DSGN.	(DRW. NO.)
	mm						Sheet No.
3RD. ANGLE PROJECTION		T. Nish	H. Takahira	O. Shimizu	O. Shimizu		3 / 7
						REV. A	

# Panel and board position



# Cut out dimension of Panel for Light pipe

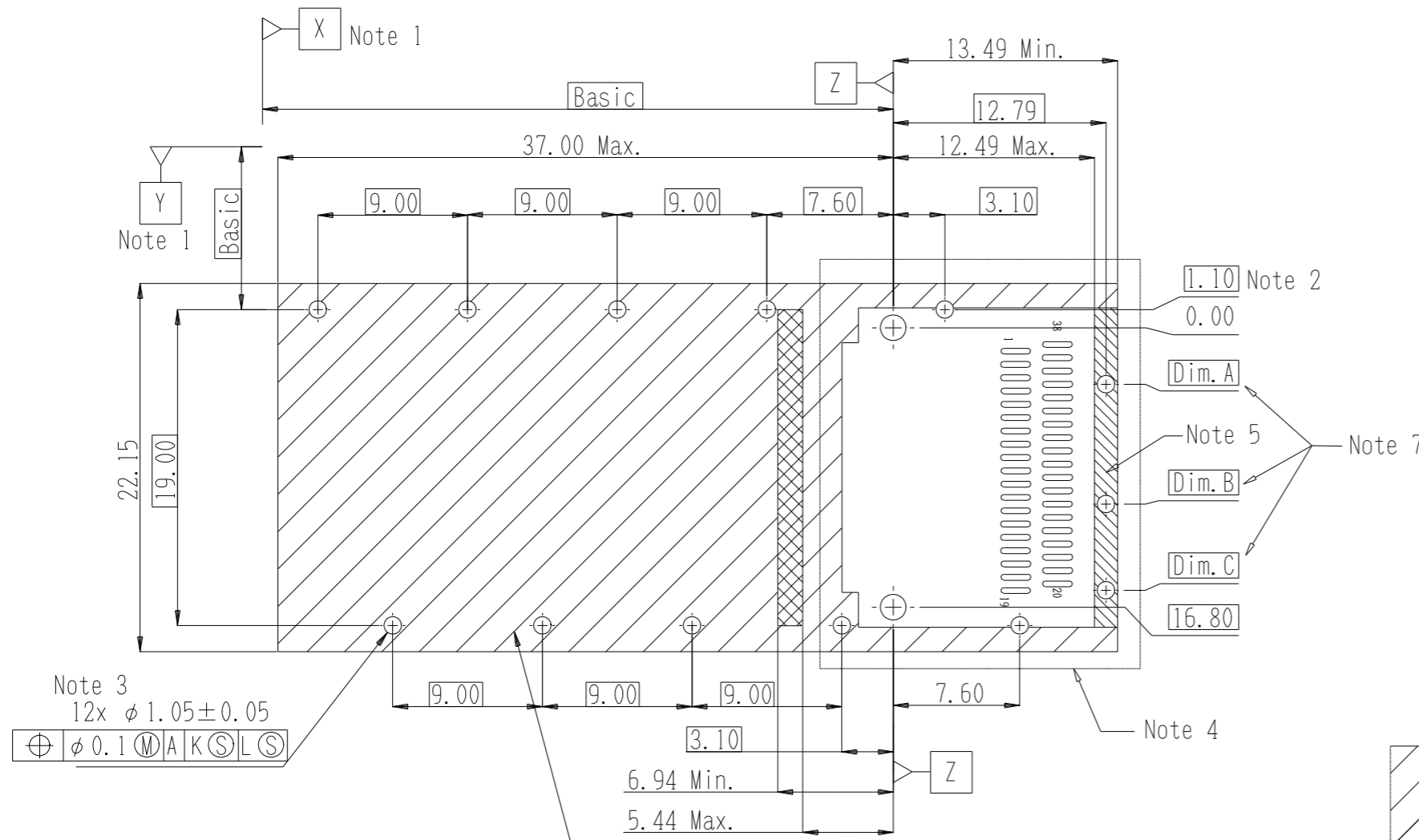


Note.  
 B : PCB thickness  
 Side to Side : PC board thickness 1.6mm min.  
 Belly to Belly : PC board thickness 2.2mm min.

	mm
4 Place	±xx
3 Place	±0.1
2 Place	±0.2
1 Place	±0.3
Angular	X° ±2°

Tolerances ±0.3 unless otherwise specified. ( ) Reference value							
SCALE 3/2						(CLASS) QSFP cage style A (EMI finger type)	
DIMENSION mm						(TITLE) CNU120A-11xxxx-0001-A	
3RD. ANGLE PROJECTION						(DRW. NO.) YEU-A2996	
APP.	APP.	CHK.	DRW.	DSGN.	Sheet No.	REV.	
T. Nish	H. Takahira	O. Shimizu	O. Shimizu		4/7	A	

Recommendation of side to side layout



Note.

1. Datum X and Y are established by customer's fiducial
2. Baseline is the center of compliant pin hole.
3. Finished hole size.
4. Connector foot print : refer SFF86620
5. Surface traces permitted within shaded area.
6. Location of the edge of PC board is application spec.
7. Indicated holes are optional.

Option	Leg	Dim. A	Dim. B	Dim. C
1	2	3.40	10.60	—
2	1	—	—	15.78
3	0	—	—	—

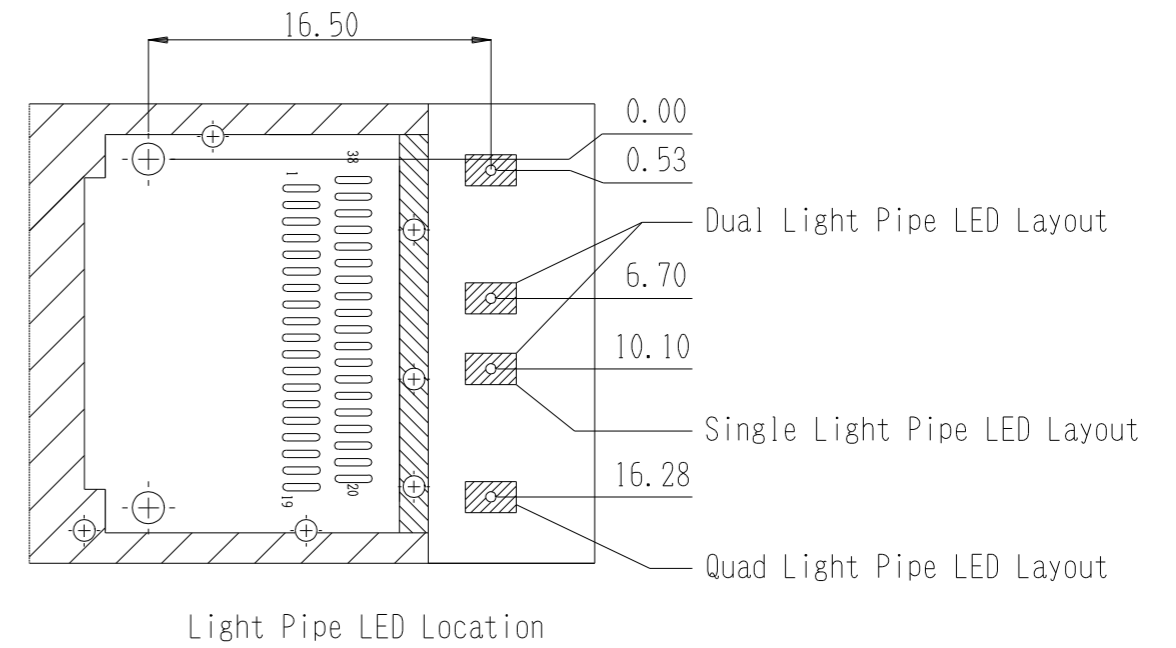
Note 3  
12x  $\phi 1.05 \pm 0.05$   
 $\oplus \phi 0.1 \text{ (M) A K S L S}$

$\phi 1.15 \pm 0.02$   
Drilled Hole Diameter

$\phi 1.05 \pm 0.05$   
Finished Hole Diameter  
After Plating

- 0.025 to 0.05 Copper Plating
- 0.004 to 0.001 : Hot Air Solder Leveling (HASL) Tin-Lead (SnPb)
- 0.0005 (Min.) Immersion Tin (Sn)
- 0.0002 to 0.0005 : Organic Solderability Preservative (OSP)
- 0.004 to 0.0076 : Nickel (Ni), 0.0001 to 0.0005 Immersion Gold (Au)

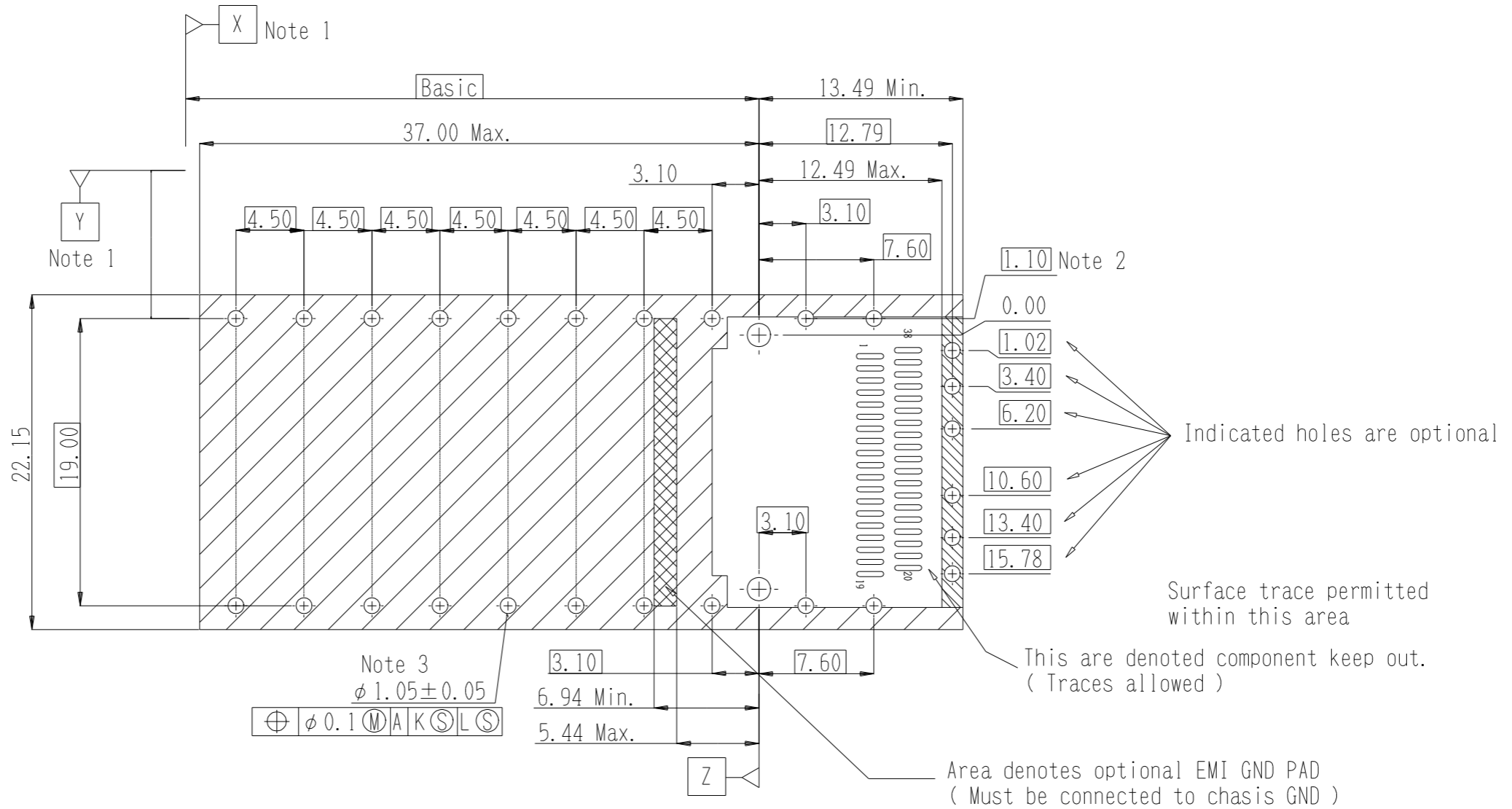
Cross hatched area denotes  
component and trace keep out  
(Excep chassis GND)



	mm
4 Place	$\pm xx$
3 Place	$\pm 0.1$
2 Place	$\pm 0.2$
1 Place	$\pm 0.3$
Angular	$X^\circ \pm 2^\circ$

Tolerances $\pm 0.3$ unless otherwise specified. ( ) Reference value							
SCALE 3/2						(CLASS) QSFP cage style A (EMI finger type)	
DIMENSION mm						(TITLE) CNU120A-11xxxx-0001-A	
3RD. ANGLE PROJECTION						(DRW. NO.) YEU-A2996	
APP.	APP.	CHK.	DRW.	DSGN.	Sheet No.	REV.	
T. Nish	H. Takahira	O. Shimizu	O. Shimizu		5/7	A	

# Recommendation of belly to belly layout



Note 3  
 $\phi 1.05 \pm 0.05$   
 $\oplus \phi 0.1 \text{ (M) A K S L S}$

	mm
4 Place	$\pm xx$
3 Place	$\pm 0.1$
2 Place	$\pm 0.2$
1 Place	$\pm 0.3$
Angular	$X^\circ \pm 2^\circ$

Tolerances $\pm 0.3$ unless otherwise specified. ( ) Reference value							
							(CLASS) QSFP cage style A (EMI finger type)
SCALE	3 / 2	APP.	APP.	CHK.	DRW.	DSGN.	(TITLE) CNU120A-11xxxx-0001-A
DIMENSION	mm		12/07/15	12/07/15	12/07/15	12/07/15	(DRW. NO.) YEU-A2996
3RD. ANGLE PROJECTION		T. Nish	H. Takahira	O. Shimizu	O. Shimizu		Sheet No. 6 / 7 REV. A