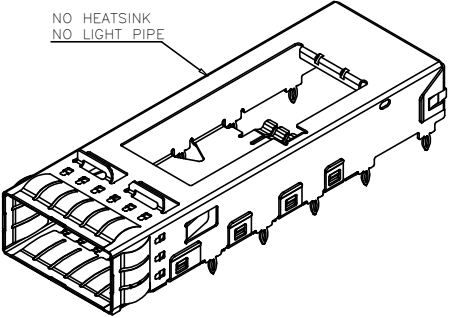
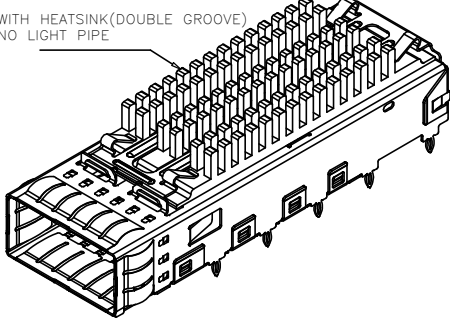
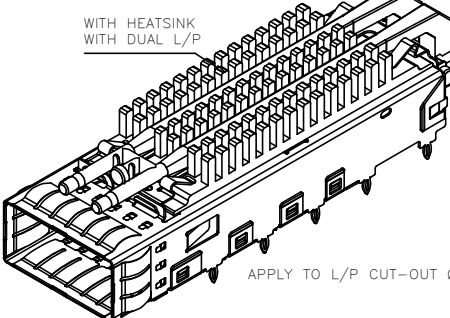
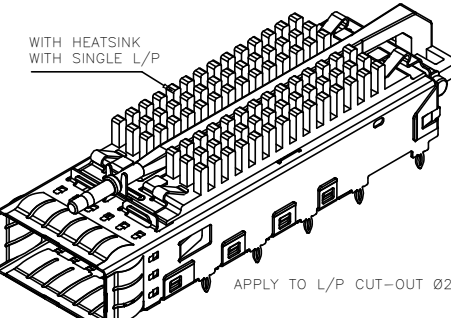
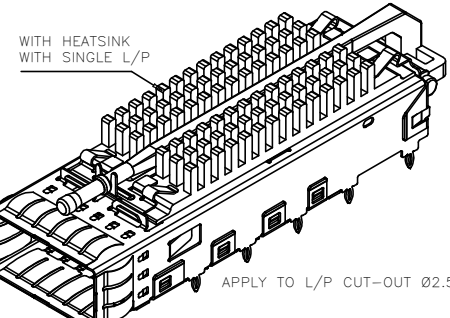
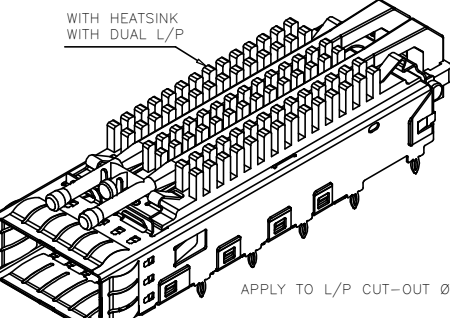



REVISION DESCRIPTION		APP.	DRW.	DATE	CHANGE No.
△ X 4	Add configuration	K.A	O.S	15/02/05	DC15-0005
△ X 3	Add configuration	K.A	O.S	15/03/11	DC15-0012
△ X					

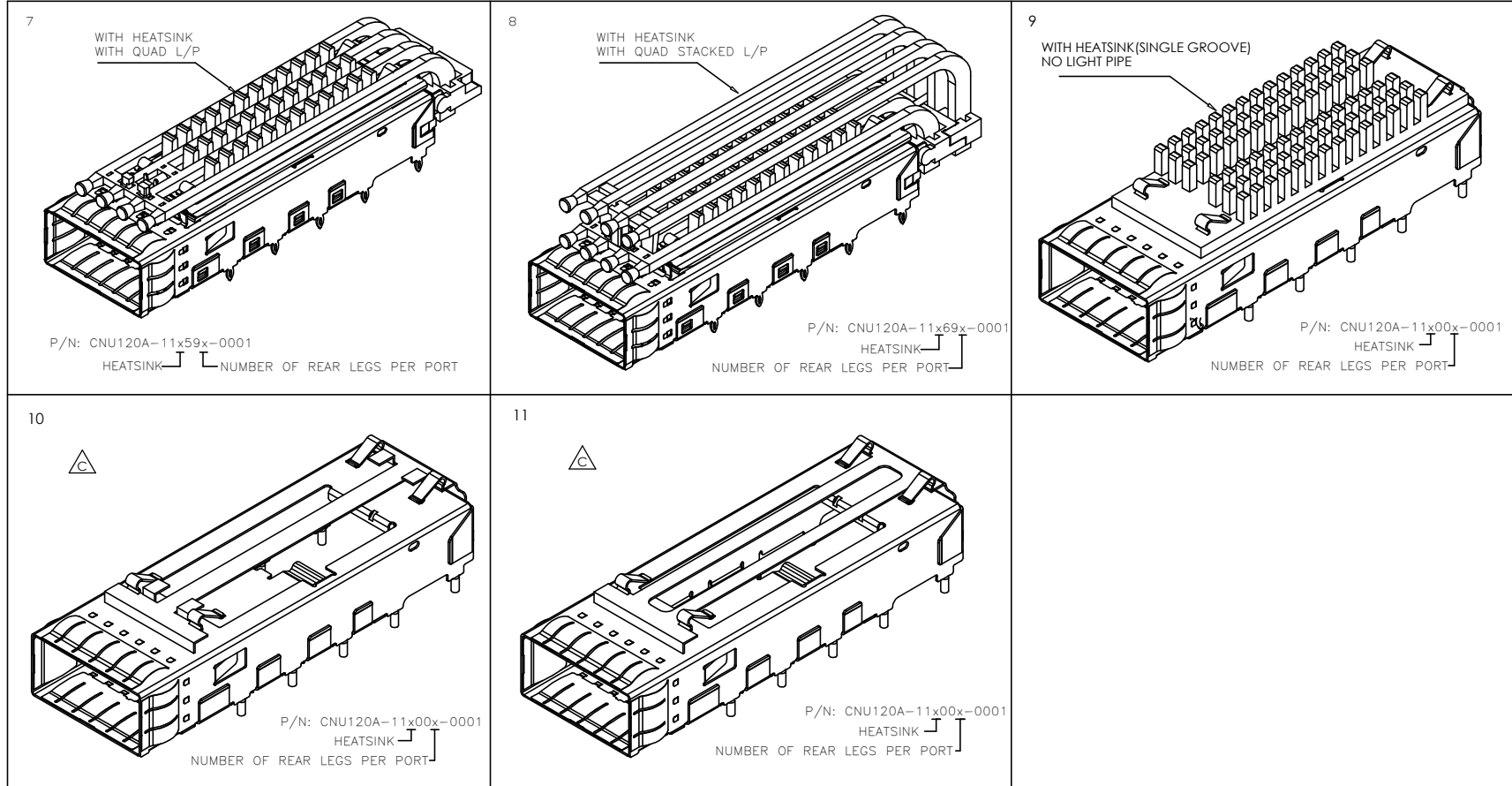
TYPE OPTIONALS, nQSFP+ / QSFP+ STYLE B , 1X1 CAGE ASSEMBLY, SPRING FINGER

<p>1</p>  <p>NO HEATSINK NO LIGHT PIPE</p> <p>P/N: CNU120A-11000x-0001</p> <p>NUMBER OF REAR LEGS PER PORT</p>	<p>2</p>  <p>WITH HEATSINK(DOUBLE GROOVE) NO LIGHT PIPE</p> <p>P/N: CNU120A-11x00x-0001</p> <p>HEATSINK NUMBER OF REAR LEGS PER PORT</p>	<p>3</p>  <p>WITH HEATSINK WITH DUAL L/P</p> <p>APPLY TO L/P CUT-OUT Ø2.11</p> <p>P/N: CNU120A-11x26x-0001</p> <p>HEATSINK NUMBER OF REAR LEGS PER PORT</p>
<p>4</p>  <p>WITH HEATSINK WITH SINGLE L/P</p> <p>APPLY TO L/P CUT-OUT Ø2.11</p> <p>P/N: CNU120A-11x16x-0001</p> <p>HEATSINK NUMBER OF REAR LEGS PER PORT</p>	<p>5</p>  <p>WITH HEATSINK WITH SINGLE L/P</p> <p>APPLY TO L/P CUT-OUT Ø2.54</p> <p>P/N: CNU120A-11x18x-0001</p> <p>HEATSINK NUMBER OF REAR LEGS PER PORT</p> <p>SEE NOTE 1</p>	<p>6</p>  <p>WITH HEATSINK WITH DUAL L/P</p> <p>APPLY TO L/P CUT-OUT Ø2.54</p> <p>P/N: CNU120A-11x28x-0001</p> <p>HEATSINK NUMBER OF REAR LEGS PER PORT</p>

NOTE:
1. PLEASE CHECK PART NUMBER DESCRIPTION AT PAGE 11 AND PAGE12

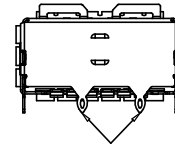
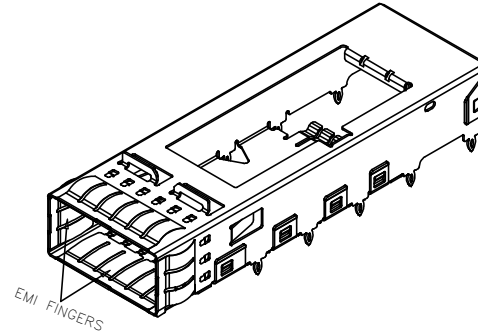
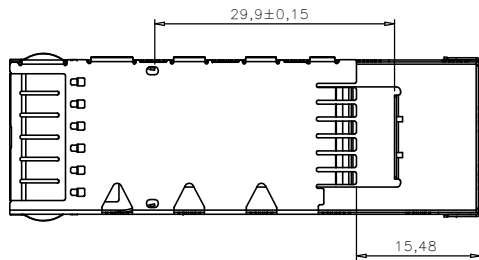
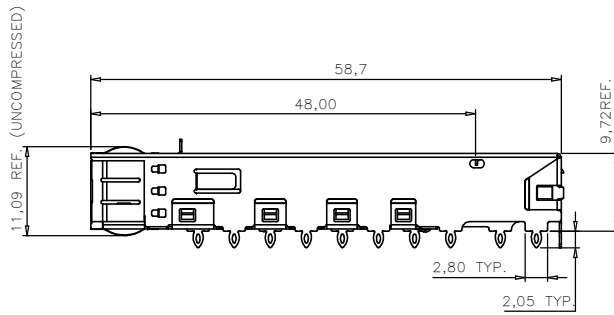
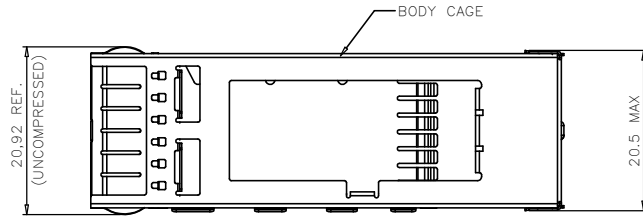
Tolerances ±0.30 unless otherwise specified. () Reference value						 YAMAICHI ELECTRONICS USA INC.
CLASS QSFP 1x1 TypeB(EMI finger)						
SCALE 3/2	APP.	APP.	CHK.	DRW.	DSGN.	Part #
DIMENTION mm						CNU120A-11xxxx-0001
ANGLE PROJ 3rd		K. Abe	K. Abe	O. Shimizu	O. Shimizu	DRW No. YEU-A2517
					Sheet No. 1/14	REV. C

TYPE OPTIONALS, nQSFP+ / QSFP+ STYLE B , 1X1 CAGE ASSEMBLY, SPRING FINGER



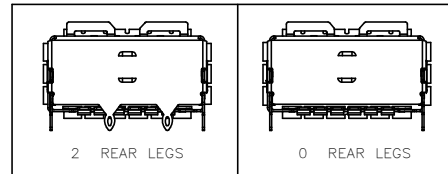
Tolerances ± 0.30 unless otherwise specified. () Reference value						CLASS QSFP 1x1 TypeB(EMI finger)	
SCALE	3/2	APP.	APP.	CHK.	DRW.	DSGN.	Part #
DIMENSION	mm	'14/11/05	'14/11/05	'14/11/05	'14/11/05	'14/11/05	CNU120A-11xxxx-0001
ANGLE PROJ	3rd	K. Abe	K. Abe	O. Shimizu	O. Shimizu		DRW No. YEU-A2517
						Sheet No.	REV.
						2/14	C

CAGE DETAILS



REAR PINS ARE OPTIONAL

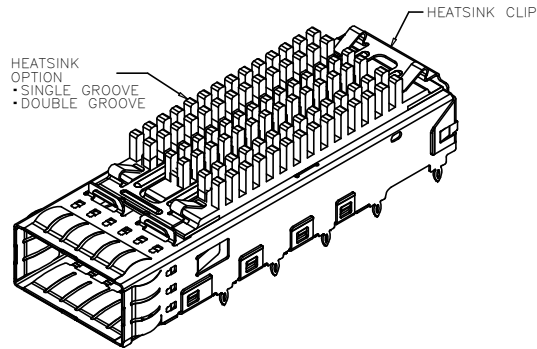
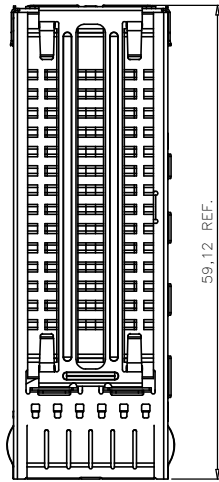
REAR LEG OPTIONALS



1. MATERIALS:
 BODY CAGE: STAINLESS STEEL, 0.25 THICKNESS
 EMI FINGER: STAINLESS STEEL
 HEATSINK: ALUMINUM
 HEATSINK CLIP: STAINLESS STEEL
 LIGHT PIPE MATERIAL: CLEAR POLYCARBONATE
2. SURFACE FINISH:
 BODY CAGE FINISH: CLEAN AND HOLE SEALING
 EMI SPRING FINISH: CLEAN AND HOLE SEALING
 HEATSINK FINISH: CLEAR PASSIVATION
 HEATSINK CLIP FINISH: CLEAR PASSIVATION
3. MATE WITH QSFP MSA COMPATIBLE TRANSCEIVER.
4. REFERENCE DOCUMENTS:
 PRODUCT SPECIFICATION: QSFP MSA
5. THIS PRODUCT COMPLY TO ROHS DIRECTIVE 2011/65/EU.

Tolerances ± 0.30 unless otherwise specified. () Reference value							
						CLASS QSFP 1x1 TypeB(EMI finger)	
SCALE 3/2	APP.	APP.	CHK.	DRW.	DSGN.	Part # CNU120A-11xxxx-0001	
DIMENSION mm						DRW No. YEU-A2517	
ANGLE PROJ 3rd		K. Abe	K. Abe	O. Shimizu	O. Shimizu	Sheet No. 3/14	REV. C

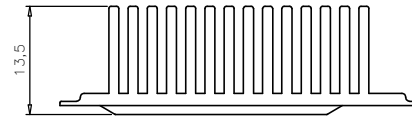
CAGE ASSEMBLY OPTIONALS (WITH HEATSINK, NO L/P)



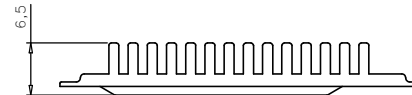
HEATSINK OPTIONALS

OVERALL HEATSINK HEIGHT	DIM "C"
PCI (HEATSINK 4.2MM TALL)	12.82
SAN (HEATSINK 6.5MM TALL)	15.12
NET (HEATSINK 13.5MM TALL)	22.12

REMARK: DIMENSION C ONLY APPLIES BEFORE MODULE INSTALLING INTO THE CAGE



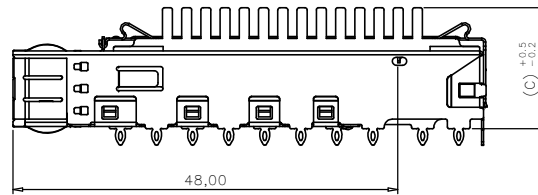
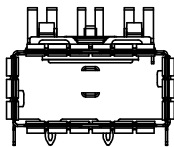
NET HEATSINK



SAN HEATSINK

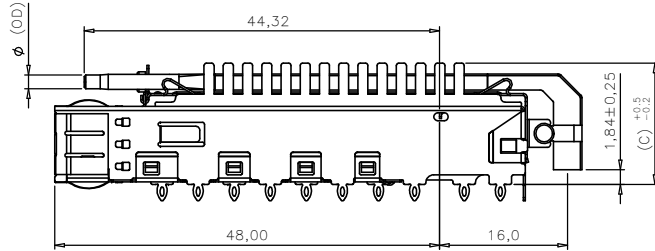
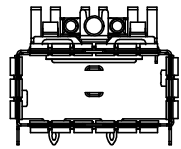
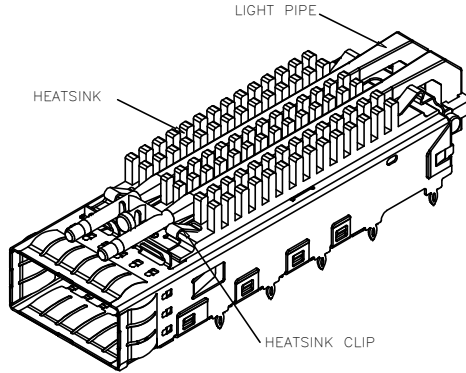
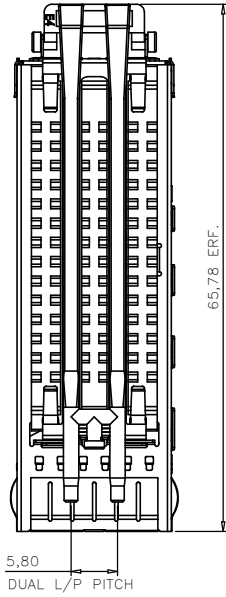


PCI HEATSINK

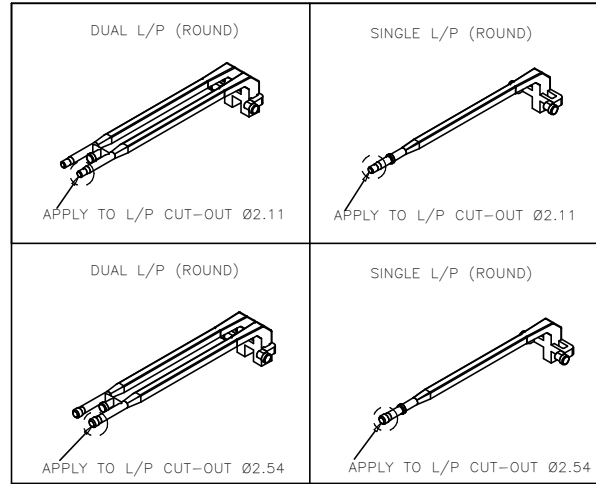


Tolerances ± 0.30 unless otherwise specified. () Reference value							
						CLASS QSFP 1x1 TypeB(EMI finger)	
SCALE 3/2	APP.	APP.	CHK.	DRW.	DSGN.	Part # CNU120A-11xxx-0001	
DIMENSION mm				'14/11/05	'14/11/05	DRW No. YEU-A2517	
ANGLE PROJ 3rd		K. Abe	K. Abe	O. Shimizu	O. Shimizu	Sheet No. 4/14	REV. C

CAGE ASSEMBLY OPTIONALS (DUAL L/P OR SINGLE L/P)



LIGHT PIPE OPTIONALS



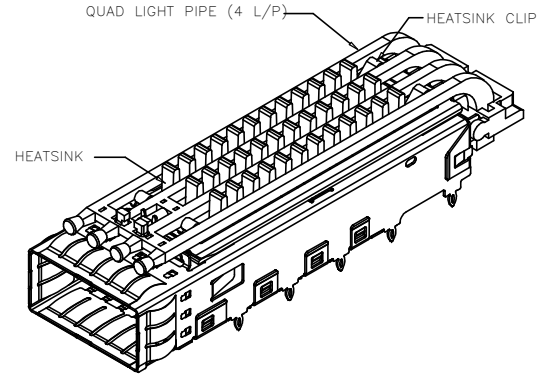
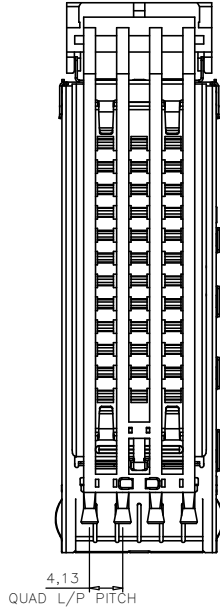
HEATSINK OPTIONALS

OVERALL HEATSINK HEIGHT	DIM "C"
PCI (HEATSINK 4.2MM TALL)	12.82
SAN (HEATSINK 6.5MM TALL)	15.12
NET (HEATSINK 13.5MM TALL)	22.12

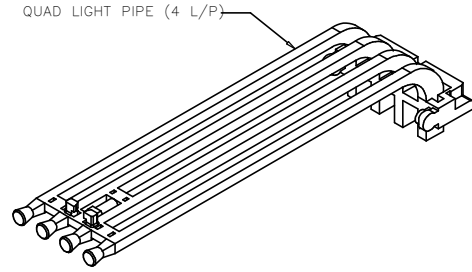
REMARK: DIMENSION C ONLY APPLIES BEFORE MODULE INSTALLING INTO THE CAGE

Tolerances ± 0.30 unless otherwise specified. () Reference value						
CLASS QSFP 1x1 TypeB(EMI finger)						
SCALE 3/2	APP.	APP.	CHK.	DRW.	DSGN.	Part #
DIMENSION mm						CNU120A-11xxxx-0001
ANGLE PROJ 3rd		K. Abe	K. Abe	O. Shimizu	O. Shimizu	DRW No. YEU-A2517
						Sheet No. 5/14
						REV. C

CAGE ASSEMBLY OPTIONALS (4 L/P)



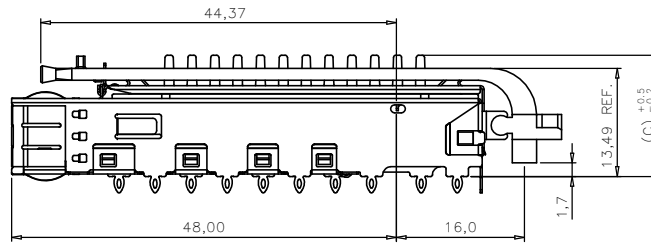
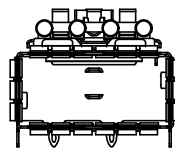
LIGHT PIPE OPTIONALS



HEATSINK OPTIONALS

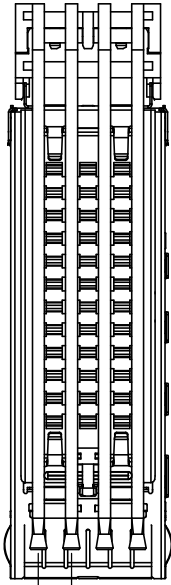
OVERALL HEATSINK HEIGHT	DIM "C"
PCI (HEATSINK 4.2MM TALL)	12.82
SAN (HEATSINK 6.5MM TALL)	15.12
NET (HEATSINK 13.5MM TALL)	22.12

REMARK: DIMENSION C ONLY APPLIES BEFORE MODULE INSTALLING INTO THE CAGE

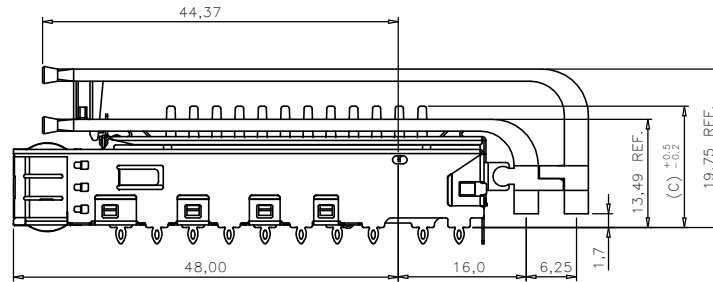
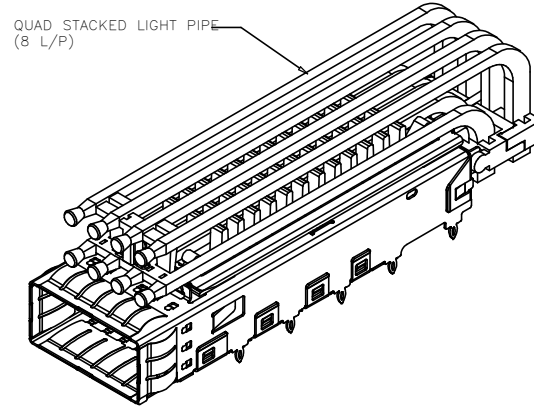
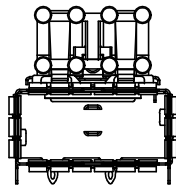


Tolerances ± 0.30 unless otherwise specified. () Reference value						YAMAICHI ELECTRONICS USA INC.		
						CLASS		QSFP 1x1 TypeB(EMI finger)
SCALE	3/2	APP.	APP.	CHK.	DRW.	DSGN.	Part #	
DIMENSION	mm						CNU120A-11xxxx-0001	
ANGLE PROJ	3rd		K. Abe	K. Abe	O. Shimizu	O. Shimizu	DRW No. YEU-A2517	
							Sheet No. 6/14	REV. C

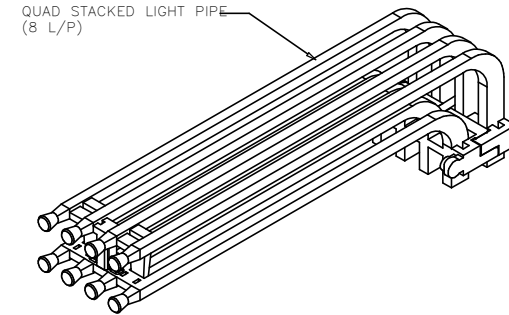
CAGE ASSEMBLY OPTIONS (8 L/P)



4.13
QUAD STACKED L/P PITCH



LIGHT PIPE OPTIONS



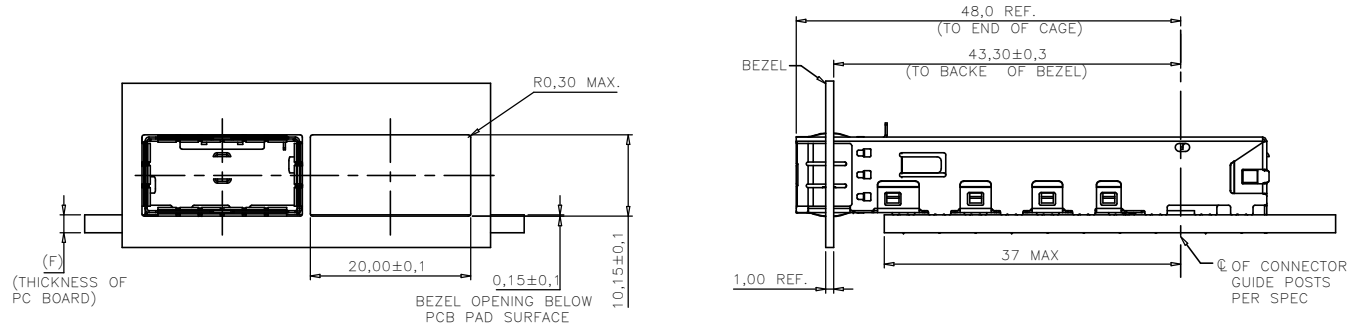
HEATSINK OPTIONS

OVERALL HEATSINK HEIGHT	DIM "C"
PCI (HEATSINK 4.2MM TALL)	12.82
SAN (HEATSINK 6.5MM TALL)	15.12
NET (HEATSINK 13.5MM TALL)	22.12

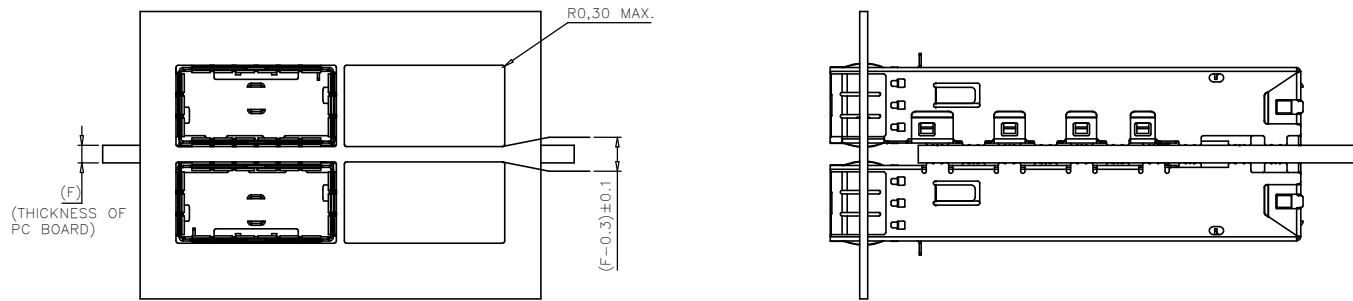
REMARK: DIMENSION C ONLY APPLIES BEFORE MODULE INSTALLING INTO THE CAGE

Tolerances ± 0.30 unless otherwise specified. () Reference value						YAMAICHI ELECTRONICS USA INC.	
						CLASS QSFP 1x1 TypeB(EMI finger)	
SCALE 3/2	APP.	APP.	CHK.	DRW.	DSGN.	DRW No. YEU-A2517	
DIMENSION mm						Sheet No. 7/14	REV. C
ANGLE PROJ 3rd		K. Abe	K. Abe	O. Shimizu	O. Shimizu	A3-001	

BEZEL AND BOARD POSITION DIMENSION
FOR SINGLE SIDE MOUNTING (SPRING FINGER)




BEZEL AND BOARD POSITION DIMENSION
FOR BELLY TO BELLY MOUNTING (SPRING FINGER)

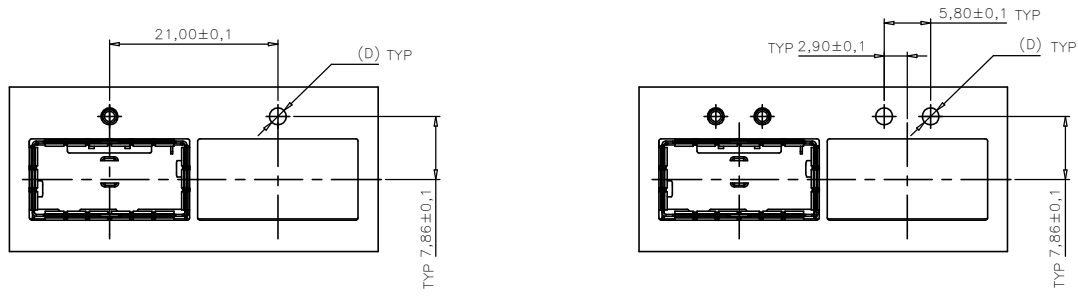


NOTES:

1. THE NORMAL THICKNESS OF CUSTOMER SUPPLIED PC BOARD.(DIM. "F")
SINGLE SIDED PC BOARD THICKNESS: 1.60mm MIN.
BELLY TO BELLY PC BOARD MIN. THICKNESS: 2.2mm MIN.

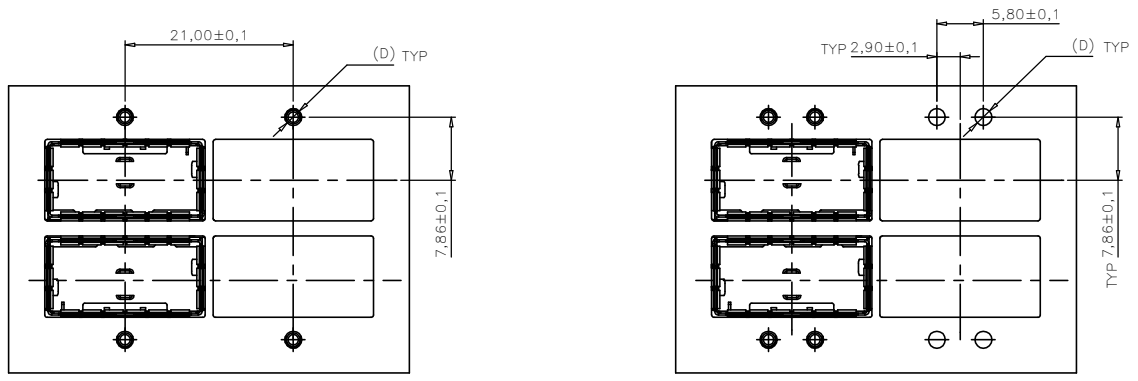
Tolerances ± 0.30 unless otherwise specified. () Reference value						 YAMAICHI ELECTRONICS USA INC.	
						CLASS QSFP 1x1 TypeB(EMI finger)	
SCALE 3/2	APP.	APP.	CHK.	DRW.	DSGN.	Part # CNU120A-11xxxx-0001	
DIMENSION mm						DRW No. YEU-A2517	
ANGLE PROJ 3rd		K. Abe	K. Abe	O. Shimizu	O. Shimizu	Sheet No. 8/14	REV. C

BEZEL L/P CUT-OUT POSITION DIMENSION FOR SINGLE SIDE MOUNTING (FOR SINGLE L/P AND DUAL L/P)



	DIM "D"
L/P CUT-OUT	2.11±0.1
OPTIONALS	2.54±0.1

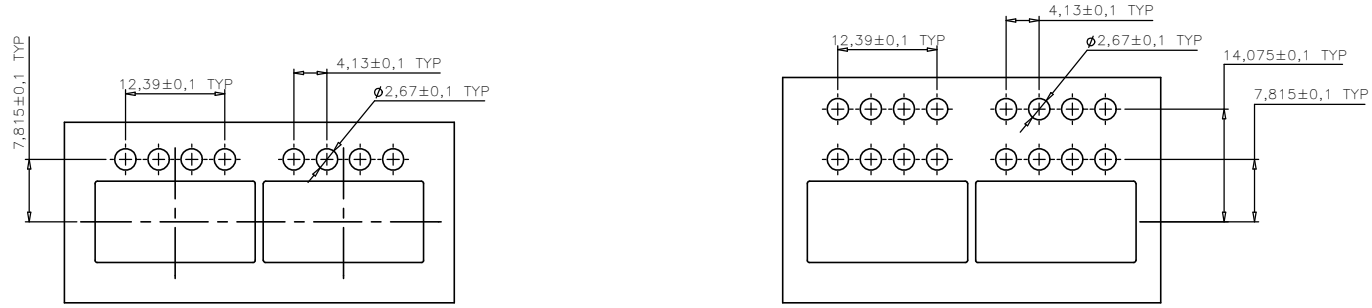
BEZEL L/P CUT-OUT POSITION DIMENSION FOR BELLY TO BELLY MOUNTING (FOR SINGLE L/P AND DUAL L/P)



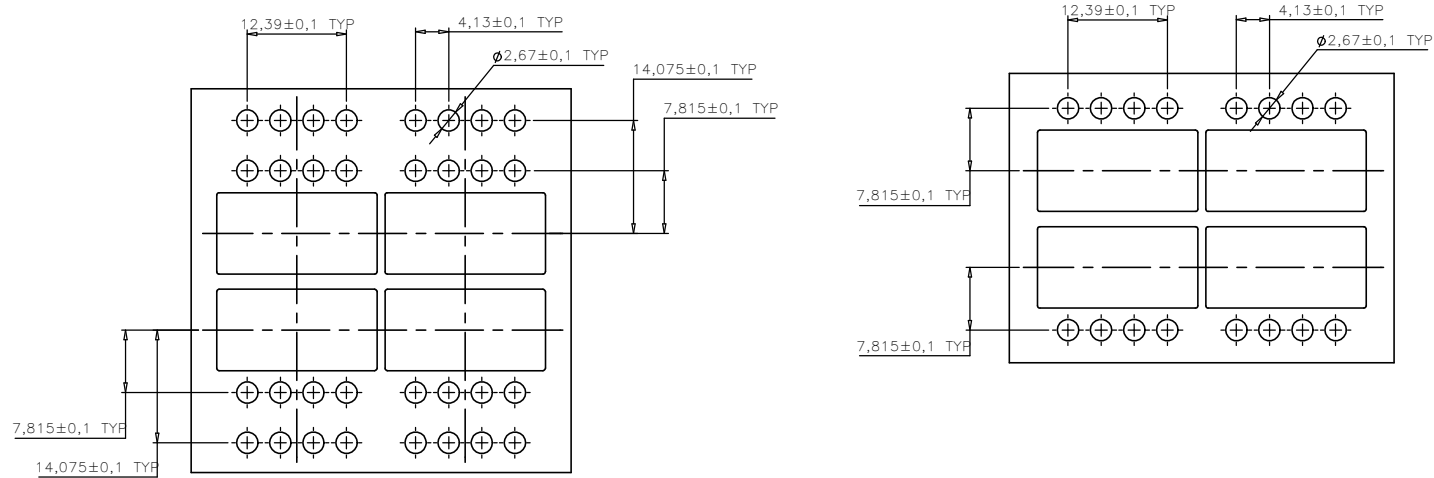
	DIM "D"
L/P CUT-OUT	2.11±0.1
OPTIONALS	2.54±0.1

Tolerances ±0.30 unless otherwise specified. () Reference value						CLASS QSFP 1x1 TypeB(EMI finger)	
SCALE	3/2	APP.	APP.	CHK.	DRW.	DSGN.	Part #
DIMENSION	mm	'14/11/05	'14/11/05	'14/11/05	'14/11/05	'14/11/05	CNU120A-11xxxx-0001
ANGLE PROJ	3rd	K. Abe	K. Abe	O. Shimizu	O. Shimizu		DRW No. YEU-A2517
						Sheet No.	REV.
						9/14	C

BEZEL L/P CUT-OUT POSITION DIMENSION FOR SINGLE SIDE MOUNTING (FOR 4 L/P AND 8 L/P)



BEZEL L/P CUT-OUT POSITION DIMENSION FOR BELLY TO BELLY MOUNTING (FOR 4 L/P AND 8 L/P)



Tolerances ± 0.30 unless otherwise specified. () Reference value						CLASS QSFP 1x1 TypeB(EMI finger)	
SCALE	3/2	APP.	APP.	CHK.	DRW.	DSGN.	Part #
DIMENTION	mm						CNU120A-11xxxx-0001
ANGLE PROJ	3rd		K. Abe	K. Abe	O. Shimizu	O. Shimizu	DRW No. YEU-A2517
						Sheet No.	REV.
						10/14	C

CONFIDENTIAL

PART NUMBER OPTIONALS


CNU120A-11xxxx-0001

- △ HEATSINK
- 0= NO HEATSINK
 - a= NO HEATSINK WITH SINGLE GROOVE CLIP
 - b= NO HEATSINK WITH DOUBLE GROOVE GLIP
 - 1= NET (HEATSINK 13.5MM TALL,DOUBLE GROOVE)
 - 2= SAN (HEATSINK 6.5MM TALL,DOUBLE GROOVE)
 - 3= PCI (HEATSINK 4.2MM TALL,DOUBLE GROOVE)
 - 4= NET (HEATSINK 13.5MM TALL,SINGLE GROOVE)
 - 5= SAN (HEATSINK 6.5MM TALL,SINGLE GROOVE)
 - 6= PCI (HEATSINK 4.2MM TALL,SINGLE GROOVE)

- LIGHT PIPE
- 0= NO LIGHT PIPE
 - 1= SINGLE LIGHT PIPE (ROUND)
 - 2= DUAL LIGHT PIPE (ROUND)
 - 5= QUAD LIGHT PIPE (ROUND)
 - 6= QUAD STACKED LIGHT PIPE (ROUND)

NUMBER OF REAR LEGS PER PORT
 0= 2 LEGS (DEFAULT)
 N= 0 LEG (NO LEG)

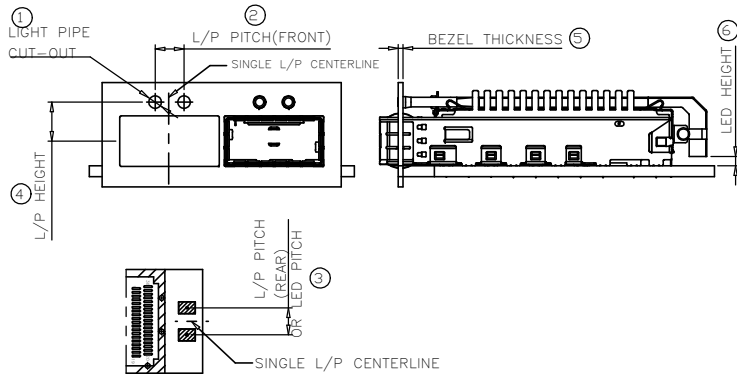
MATING BEZEL
 SEE TABLE 1

						 YAMAICHI ELECTRONICS USA INC.	
Tolerances ±0.30 unless otherwise specified. () Reference value						CLASS QSFP 1x1 TypeB(EMI finger)	
SCALE	3/2	APP.	APP.	CHK.	DRW.	DSGN.	Part #
DIMENTION	mm						CNU120A-11xxxx-0001
ANGLE PROJ	3rd						DRW No. YEU-A2517
							Sheet No. 11/14
							REV. C

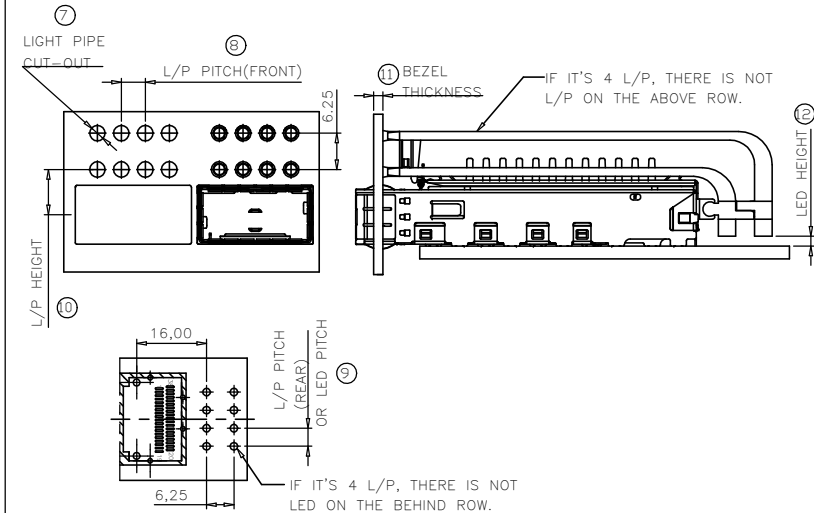
PART NUMBER OPTIONALS

TABLE 1

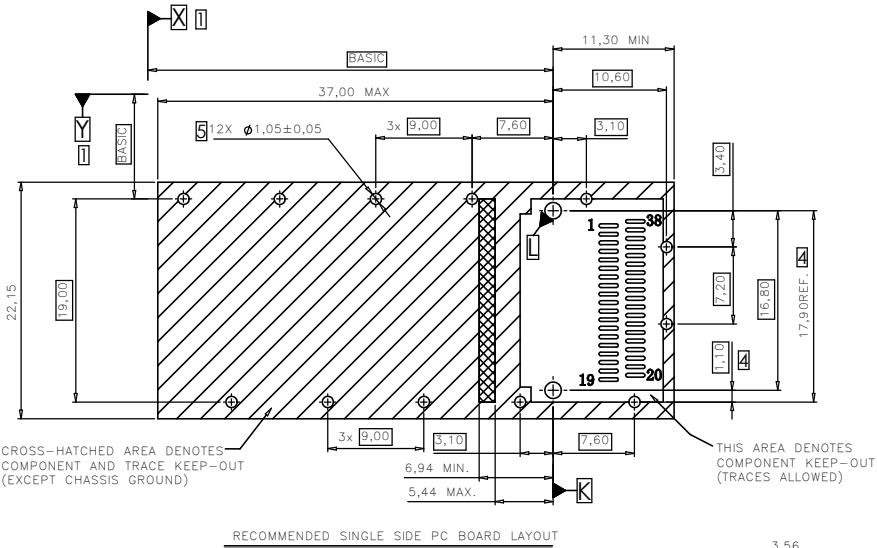
MATING BEZEL (TYPE 1)								
THE DIMENSION FOR MATING BEZEL (UNIT: MM)								
CODE	L/P APPEARANCE	L/P CUT-OUT	L/P PITCH (FRONT)	L/P PITCH (REAR)	L/P HEIGHT	BEZEL THICKNESS	LED HEIGHT	REMARK
0	NO L/P							NO LIGHT PIPE
6	ROUND	Ø2.11	5.80	5.80	7.86	1.0~1.6	0.8~1.1	APPLICABLE
8	ROUND	Ø2.54	5.80	5.80	7.86	1.0~1.6	0.8~1.1	APPLICABLE



MATING BEZEL (TYPE 2)								
THE DIMENSION FOR MATING BEZEL (UNIT: MM)								
CODE	L/P APPEARANCE	L/P CUT-OUT	L/P PITCH (FRONT)	L/P PITCH (REAR)	L/P HEIGHT	BEZEL THICKNESS	LED HEIGHT	REMARK
9	ROUND	Ø2.67	4.13	4.13	7.815	1.6 REF.	0.8~1.1	APPLICABLE

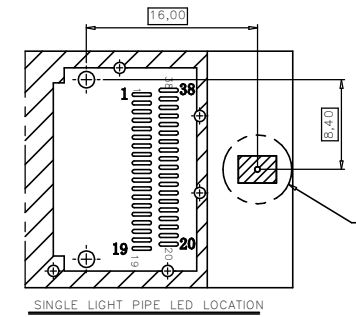
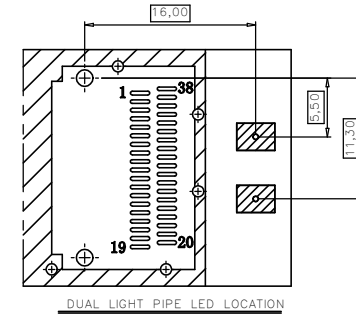


Tolerances ±0.30 unless otherwise specified. () Reference value						YAMAICHI ELECTRONICS USA INC.	
						CLASS QSFP 1x1 TypeB(EMI finger)	
SCALE 3/2	APP.	APP.	CHK.	DRW.	DSGN.	Part # CNU120A-11xxxx-0001	
DIMENSION mm						DRW No. YEU-A2517	
ANGLE PROJ 3rd		K. Abe	K. Abe	O. Shimizu	O. Shimizu	Sheet No. 12/14	REV. C



- NOTES:
1. DATUM X & Y ARE ESTABLISHED BY THE CUSTOMER'S FIDUCIAL
 2. DATUM A IS THE TOP SURFACE OF THE HOST BOARD
 3. LOCATION OF THE EDGE OF PCB IS APPLICATION SPECIFIC
 4. BASELINE FOR THESE DIMENSIONS IS THE CENTER OF COMPLIANT PIN HOLE.
 5. FINISHED HOLE SIZE

FOR CAGE ASSEMBLIES WITH LIGHT PIPES



Tolerances ± 0.30 unless otherwise specified. () Reference value						CLASS QSFP 1x1 TypeB(EMI finger)	
SCALE	3/2	APP.	APP.	CHK.	DRW.	DSGN.	Part #
DIMENSION	mm						CNU120A-11xxxx-0001
ANGLE PROJ	3rd		K. Abe	K. Abe	O. Shimizu	O. Shimizu	DRW No. YEU-A2517
							Sheet No. 13/14
							REV. C