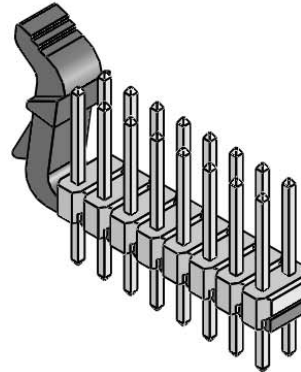
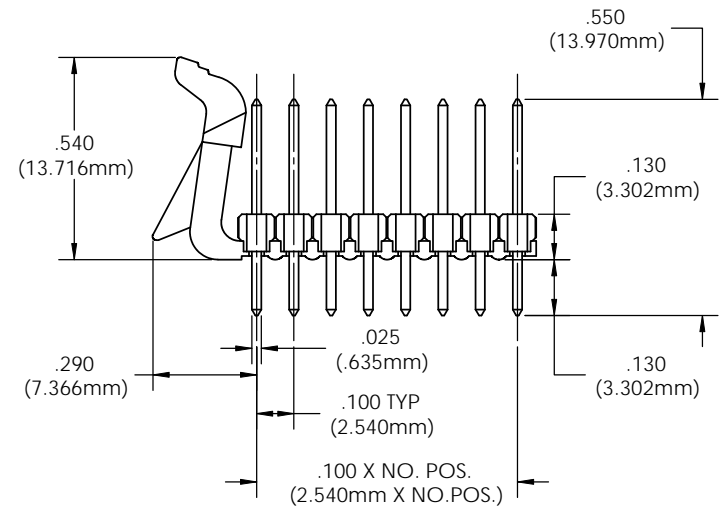
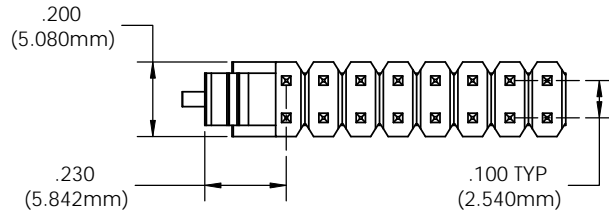


**NOTES:**

1. MATERIAL: BODY - THERMOPLASTIC (BLACK), UL 94-V0 RATING  
LEVER - THERMOPLASTIC NYLON 6-6 FOR FLEXIBILITY, UL 94-V2 RATING  
PINS - PHOSPHER BRONZE .025" SQUARE TIN PLATE
2. SPACING: DUAL ROW, 4 TO 16 CIRCUITS ON .100 x .100 CENTERS
3. HEADER: MATES WITH VCC, 450 4XX SERIES, FEMALE LOCKING CONNECTOR



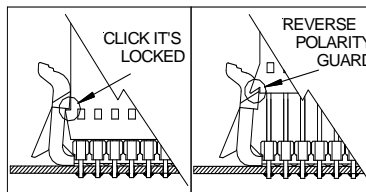
REVISIONS				
ECN #	REV	DESCRIPTION	DATE	INITIALS
	001	REVISED PER ECR 111009AZ01	9/13/10	KH



ORDERING CODE: **CNX VXX DRT**

PIN CONFIGURATION	
V =	VERTICAL
XX =	# OF CIRCUITS
04	2x2
06	2x3
08	2X4
10	2X5
12	2X6
14	2X7
16	2X8

STYLE	
DR	DUAL ROW
T	TIN PLATE



<small>UNLESS OTHERWISE SPECIFIED DIMENSIONS ARE IN INCHES</small> <small>ANGLES DECIMALS 1°</small> <small>FINISH .XX ±.003 .XX ±.010 .XXX ±.005</small> <small>BREAK ALL CORNERS AND SHARP EDGES (R1/16)</small>	MATERIAL	SEE NOTES	<b>VISUAL COMMUNICATIONS COMPANY, INC.</b> 190 Bosstick Boulevard, Suite 101 San Marcos, CA 92069 USA Phone (760) 560-1300 Fax (760) 560-1301 Email: vccsales@vccllite.com	
	<small>THIRD ANGLE PROJECTION</small> <small>THE INFORMATION CONTAINED IN THIS DRAWING IS THE SOLE PROPERTY OF VISUAL COMMUNICATIONS COMPANY, INC. AND IS LOANED TO YOU AS A SINGLE COPY. IT IS NOT TO BE REPRODUCED OR TRANSMITTED IN ANY FORM OR BY ANY MEANS, ELECTRONIC OR MECHANICAL, INCLUDING PHOTOCOPYING, RECORDING, OR BY ANY INFORMATION STORAGE AND RETRIEVAL SYSTEM.</small>	FINISH	N/A	TITLE: <b>CNXRITE DUAL ROW POSITIVE LOCKING HEADER</b>
APPROVAL DRAWN K.Howard CHECKED DPZ	DATE 9/13/10 9/20/10	DATE	SIZE DWG. NO. <b>B</b> CNX VXX DRT	REV 001
DO NOT SCALE DRAWING		SCALE: 3:1	SHEET 1 OF 1	