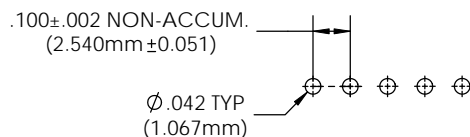
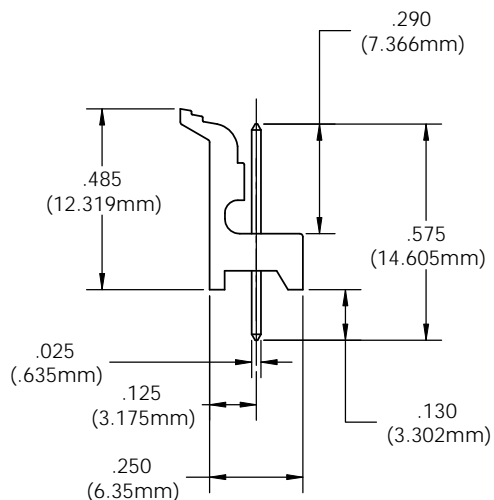
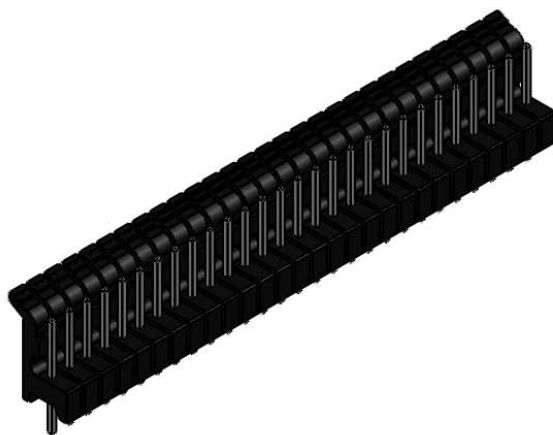


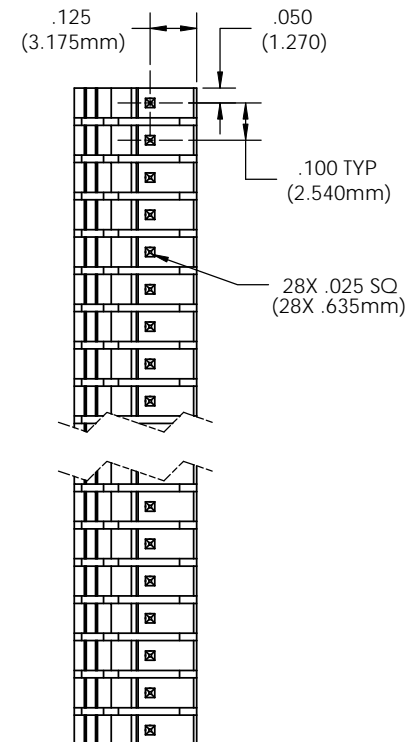
NOTES:

1. MATERIAL: BODY - THERMOPLASTIC (BLACK), UL 94-V2 RATING
PINS - PHOSPHOR BRONZE .025" SQUARE, NICKEL TIN PLATE
2. SPACING: PINS ON .100" CENTERS
3. MATES WITH VCC, 450 30X SERIES OR EQUAL, FEMALE LOCKING HEADER CONNECTOR

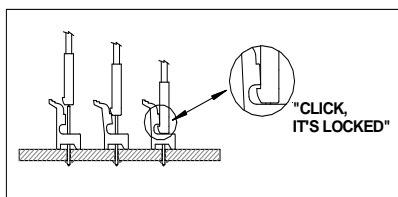
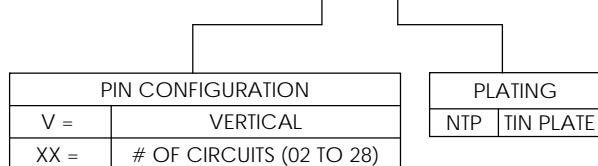
| REVISIONS | | | | |
|-----------|-----|----------------------------|---------|----------|
| ECN # | REV | DESCRIPTION | DATE | INITIALS |
| | 001 | REVISED PER ECR 111009AZ01 | 9/13/10 | KH |



PCB HOLE PATTERN LAYOUT



ORDERING CODE: **CNX VXX NTP**



| | | | | | | |
|--|---|-----------|------------|---|--------------|-----|
| <small>UNLESS OTHERWISE SPECIFIED DIMENSIONS ARE IN INCHES</small> TOLERANCES ANGLES DECIMALS 1° .X ±.003 .XX .XX ±.010 FINISH .XXX ±.005 <small>BREAK ALL CORNERS AND SHARP EDGES (R) (W)</small> | MATERIAL | SEE NOTES | | VISUAL COMMUNICATIONS COMPANY, INC. 190 Bosstick Boulevard, Suite 101 San Marcos, CA 92069 USA Phone (760) 560-1300 Fax (760) 560-1301 Email: vccsales@vcclite.com | | |
| | FINISH | SEE NOTES | | TITLE: CONXRITE POLARITY FEMALE VERTICAL LOCKING HEADER | | |
| | THIRD ANGLE PROJECTION <small>THE INFORMATION CONTAINED IN THIS DRAWING IS THE SOLE PROPERTY OF VISUAL COMMUNICATIONS COMPANY, INC. AND IS LOANED TO YOU AS A SINGLE COPY. IT IS NOT TO BE REPRODUCED OR COPIED IN ANY MANNER WITHOUT THE WRITTEN CONSENT OF VISUAL COMMUNICATIONS COMPANY, INC.</small> | APPROVAL | DATE | SIZE | DWG. NO. | REV |
| | DRAWN | K.Howard | 9/13/10 | B | CNX VXX NTP | 001 |
| CHECKED | DPZ | 9/20/10 | SCALE: 3:1 | | SHEET 1 OF 1 | |
| DO NOT SCALE DRAWING | | | | | | |