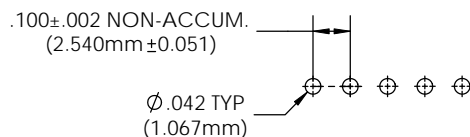
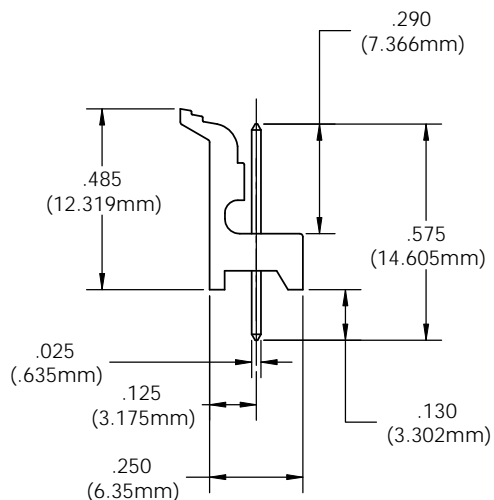
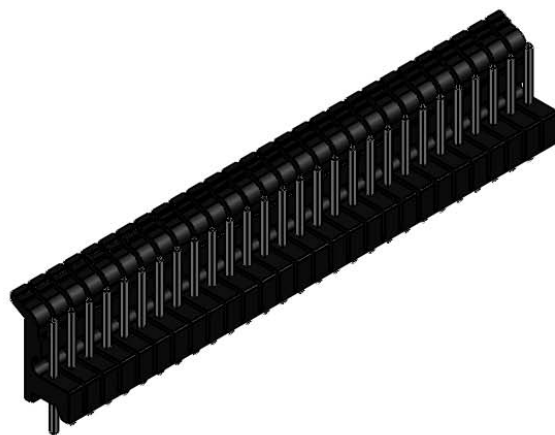


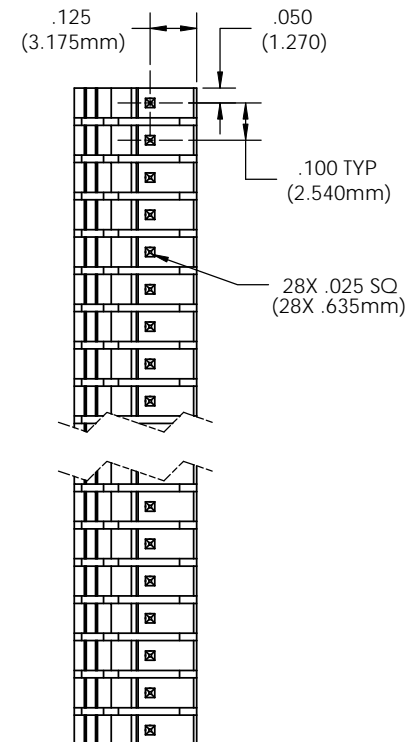
NOTES:

1. MATERIAL: BODY - THERMOPLASTIC (BLACK), UL 94-V2 RATING
PINS - PHOSPHOR BRONZE .025" SQUARE, NICKEL TIN PLATE
2. SPACING: PINS ON .100" CENTERS
3. MATES WITH VCC, 450 30X SERIES OR EQUAL, FEMALE LOCKING HEADER CONNECTOR

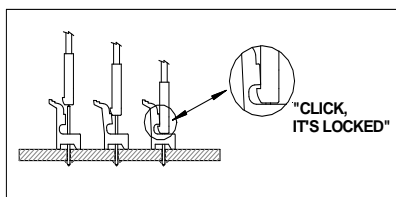
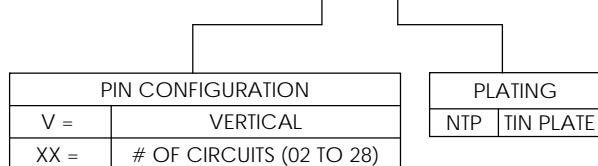
REVISIONS				
ECN #	REV	DESCRIPTION	DATE	INITIALS
	001	REVISED PER ECR 111009AZ01	9/13/10	KH



PCB HOLE PATTERN LAYOUT



ORDERING CODE: **CNX VXX NTP**



<small>UNLESS OTHERWISE SPECIFIED DIMENSIONS ARE IN INCHES</small> TOLERANCES ANGLES DECIMALS 1° .X ±.003 .XX .XX ±.010 FINISH .XXX ±.005 <small>BREAK ALL CORNERS AND SHARP EDGES (R1/16)</small>	MATERIAL	SEE NOTES		VISUAL COMMUNICATIONS COMPANY, INC. 190 Bosstick Boulevard, Suite 101 San Marcos, CA 92069 USA Phone (760) 560-1300 Fax (760) 560-1301 Email: vccsales@vcclite.com		
	FINISH	SEE NOTES		TITLE: CONXRITE POLARITY FEMALE VERTICAL LOCKING HEADER		
THIRD ANGLE PROJECTION <small>THE INFORMATION CONTAINED IN THIS DRAWING IS THE SOLE PROPERTY OF VISUAL COMMUNICATIONS COMPANY, INC. AND IS LOANED TO YOU AS A SINGLE REFERENCE TO THIS COMPANY'S PRODUCT. IT IS NOT TO BE REPRODUCED OR COPIED WITHOUT THE WRITTEN CONSENT OF VISUAL COMMUNICATIONS COMPANY, INC.</small>	APPROVAL	DATE	SIZE	DWG. NO.	REV	
	DRAWN	K.Howard	9/13/10	B	CNX VXX NTP	001
	CHECKED	DPZ	9/20/10	SCALE: 3:1		SHEET 1 OF 1
DO NOT SCALE DRAWING						