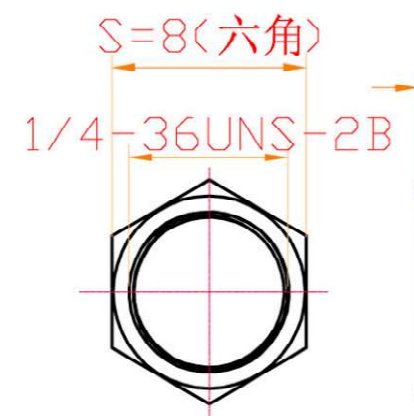


**Notes**

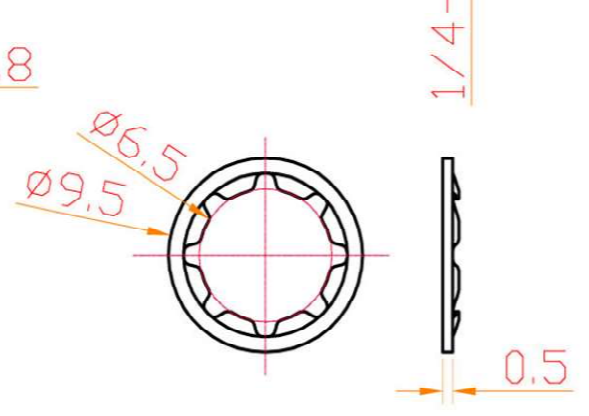
- Impedance 50ohm
- Operating Freq 0 – 6GHz
- Panel Mount, Straight Body
- Durability >500 operations.
- Operating Temperature -55 to +155degC

**Materials**

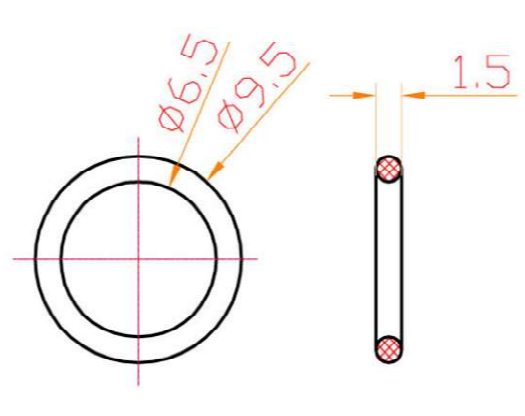
- Pin: Gold Plated Brass HPb59-1
- Insulator: PTFE
- Body: Gold Plated Brass HPb59-1



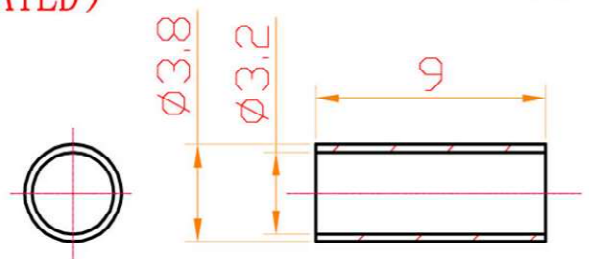
NUT (BRASS, GOLD PLATED)



FLOWER MATS (BRASS, GOLD PLATED)



WATERPROOF O-RING (SILICONE-ORING, RED)



FERRULE (BRASS, NICKEL PLATED)

THERE IS NUT AT THE END OF THE CONNECTOR , DONOT NEEDING nut AT THE FRONT OF THE CONNECTOR

**NOT TO SCALE**



All Dimensions in mm

DESCRIPTION				
Waterproof RF Connector SMA Female Crimp For RG316 RG174 LMR100				
FILENAME	DRAWN BY	DATE	REVISED	PAGE
CON-SMAF-RG174	John Fairall			1 of 1
REVISIONS				
ZONE	REV	DESCRIPTION	DATE	APPROVED
N/A	1	First Issue	29/11/15	
N/A	2	General update to Drawing	27/3/17	
	3			
	4			
	5			
	6			