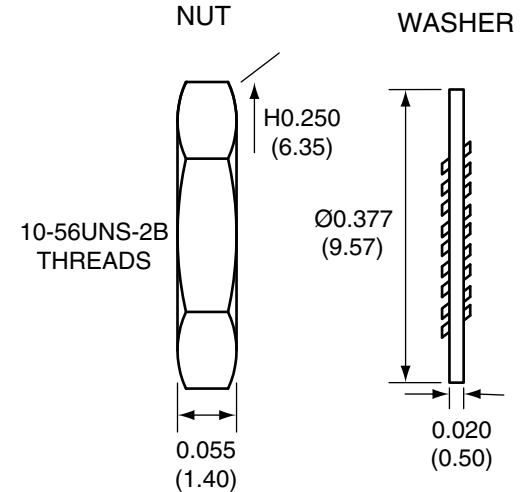
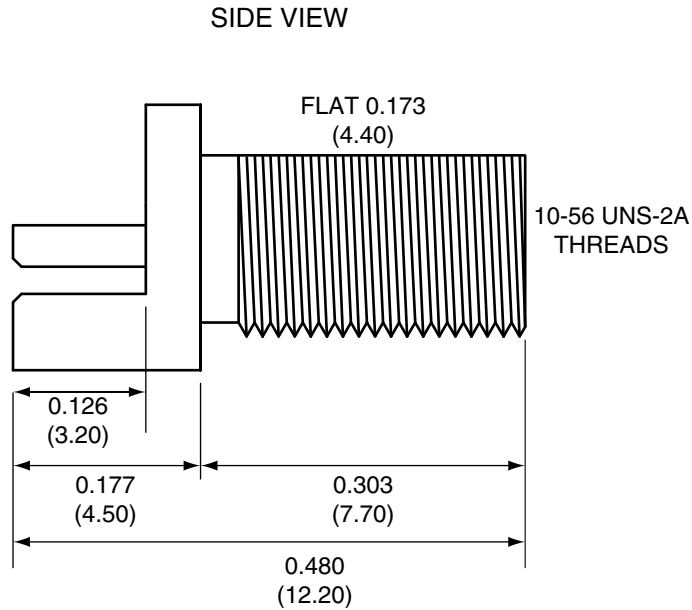
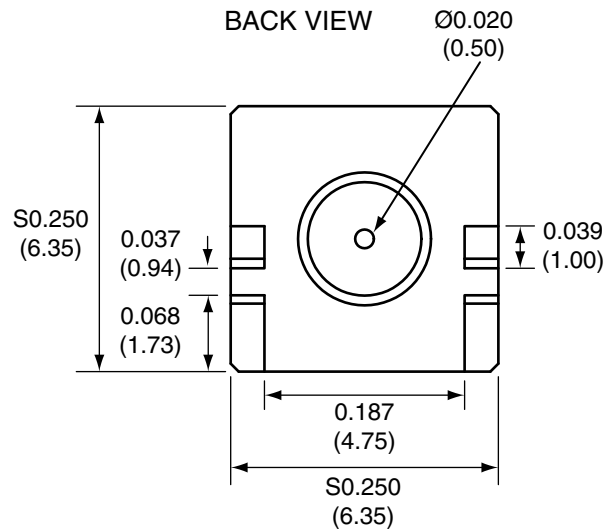
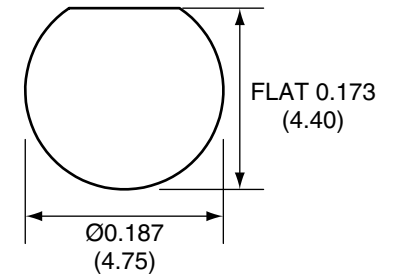


Description	Material	Finish
Body	Brass	Gold
Socket	BE CU	Gold
Insulation	PTFE	N/A
Nut	Brass	Gold
Washer	Brass	Gold

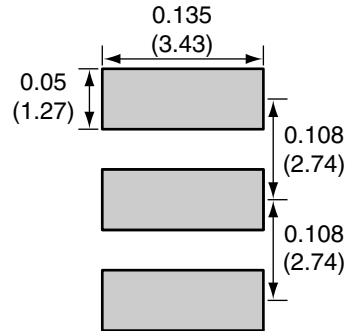
REVISIONS			
REV	DESCRIPTION	DATE	APPV
B	Board Gap Dimension Corrected	11/22/09	CJ
C	Added new title block	11-JUL-12	BPM



RECOMMENDED MOUNTING HOLE




RECOMMENDED FOOTPRINT



NOTES: (UNLESS OTHERWISE SPECIFIED)

1. ALL DIMENSIONS ARE IN INCHES [mm].
2. DIMENSIONS APPLY AFTER FINISHING.
3. MANUFACTURE TO BE COMPLIANT WITH EU RoHS DIRECTIVE.
4. SAFETY BREAK ALL SHARP CORNERS AND EDGES .02 MAXIMUM.

WARNING: THIS DRAWING CONTAINS PROPRIETARY INFORMATION THAT IS THE SOLE PROPERTY OF LINX TECHNOLOGIES, AND SHALL BE TREATED AS SUCH. NO DISCLOSURE OR REPRODUCTION OF THIS DOCUMENT IS PERMITTED, IN WHOLE OR IN PART, WITHOUT THE EXPRESS WRITTEN PERMISSION OF LINX TECHNOLOGIES OR ITS DESIGNATED AGENTS.

MATERIAL:	TOLERANCES: .020 [0.50]-.200 [5.00]= ±.008 [0.20] .200 [5.00]-1.200 [30.00]= ±.016 [0.40] 1.20 [30.0]-4.75 [120.0]= ±.024 [0.60] 4.75 [120.0]-12.40 [315.0]= ±.040 [1.0]	PROJECTION: 
FINISH:	DRAWN: CJ	DT: 11/04/09
	ENGR:	DT:

Linx		159 ORT LANE MERLIN, OR 97532	
TITLE: MCX FEMALE EDGE MOUNT FOR 0.031" THICK BOARD, EXTENDED			
SIZE A	DWG. NO. CONMCX003.031-L	REV C	
SCALE: 2:1	DO NOT SCALE DRAWING	SHEET 1 OF 1	