

BNC Connectors - 75 Ohm Commercial

For Flexible Cable

INCHES (MILLIMETERS) • CUSTOMER DRAWINGS AVAILABLE ON REQUEST

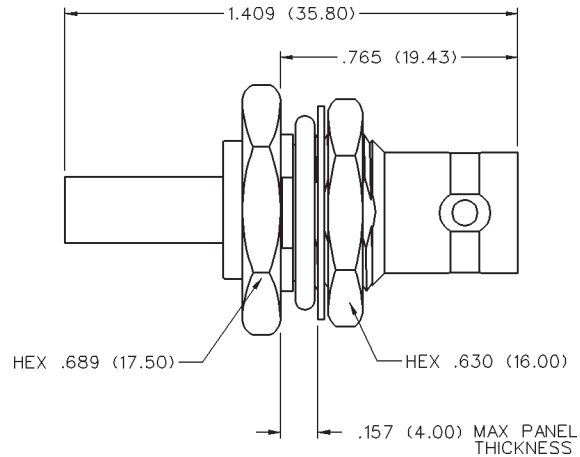


Straight Crimp Type, Rear Mount Bulkhead Jack with O'Ring - Solder or Crimp Contact - 3 Piece



PART NO.	CABLE TYPE
CP-79-20BM1	RG-179, 187

Assembly instructions on page 249.
Mounting hole layout figure 24 page 203.
Tapered crimp sleeve as shown in photo.



Straight Crimp Type, Front Mount Bulkhead Jack - Lug Terminal, Solder or Crimp Contact - 3 Piece



PART NO.	CABLE TYPE
CP-79-20BM2	RG-179, 187

Assembly instructions on page 249.
Mounting hole layout figure 25 page 203.
Tapered crimp sleeve as shown in photo.

