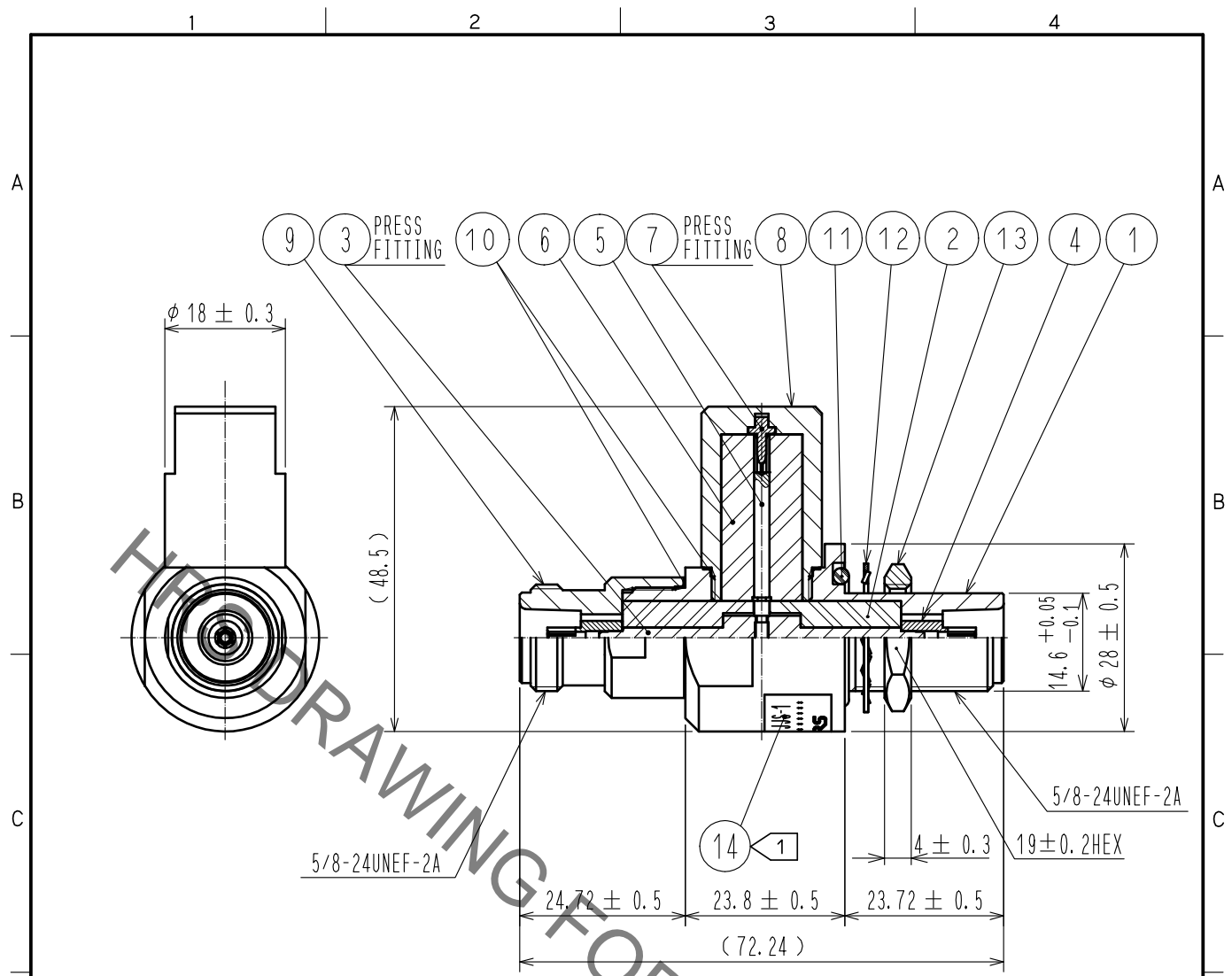


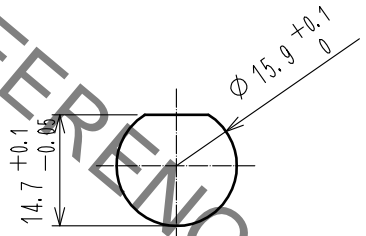
Jan.1.2022 Copyright 2022 HIROSE ELECTRIC CO., LTD. All Rights Reserved.
In case of consideration for using Automotive equipment / device which demand high reliability, kindly contact our sales window correspondents.



注 1 Indication of label.
 ・ CP-N-JJS-1
 ・ S.NO. *****
 ・ HRS

- Maximum panel thickness is 7mm.
Recommended dimension of panel cutout is shown in the right drawing.
Do not leave any scratches on the surface of a panel, which O-ring of Ref. no. of 11 contacts.
- If an O-ring came off a groove of a device during transport, please put it back in place and use the device.

RECOMMENDED PANEL CUTOUT



RoHS COMPLIANT

| 7 | BRASS | GOLD PLATING | 14 | | LABEL |
|-----|------------------|------------------|-----|-----------------|------------------|
| 6 | PTFE | | 13 | BRASS | NICKEL PLATING |
| 5 | PHOSPHOR BRONZE | GOLD PLATING | 12 | STAINLESS STEEL | PASSIVATE |
| 4 | BERYLLIUM COPPER | GOLD PLATING | 11 | SILICONE RUBBER | |
| 3 | BRASS | GOLD PLATING | 10 | SILICONE RUBBER | |
| 2 | PTFE | | 9 | BRASS | NICKEL PLATING |
| 1 | BRASS | NICKEL PLATING | 8 | BRASS | NICKEL PLATING |
| NO. | MATERIAL | FINISH . REMARKS | NO. | MATERIAL | FINISH . REMARKS |

| UNITS mm | SCALE 1 : 1 | COUNT | DESCRIPTION OF REVISIONS | DESIGNED | CHECKED | DATE |
|---------------------------|----------------|-------|---|---|---------|------|
| | | | | | | |
| HIROSE ELECTRIC CO., LTD. | | | APPROVED : KY. SHIMIZU 16.03.11 CHECKED : TO. KATAYAMA 16.03.10 DESIGNED : YI. FUNADA 16.03.09 DRAWN : YI. FUNADA 16.03.09 | DRAWING NO. EDC-178986-00-00 PART NO. CP-N-JJS-1 CODE NO. CL355-0134-0-00 | 1/1 | |