

## LISA-SS

~20° smooth spot beam optimized for CREE  
XP-E

### SPECIFICATION:

Dimensions	Ø 10.8 mm
Height	7.3 mm
Fastening	glue
ROHS compliant	yes ⓘ

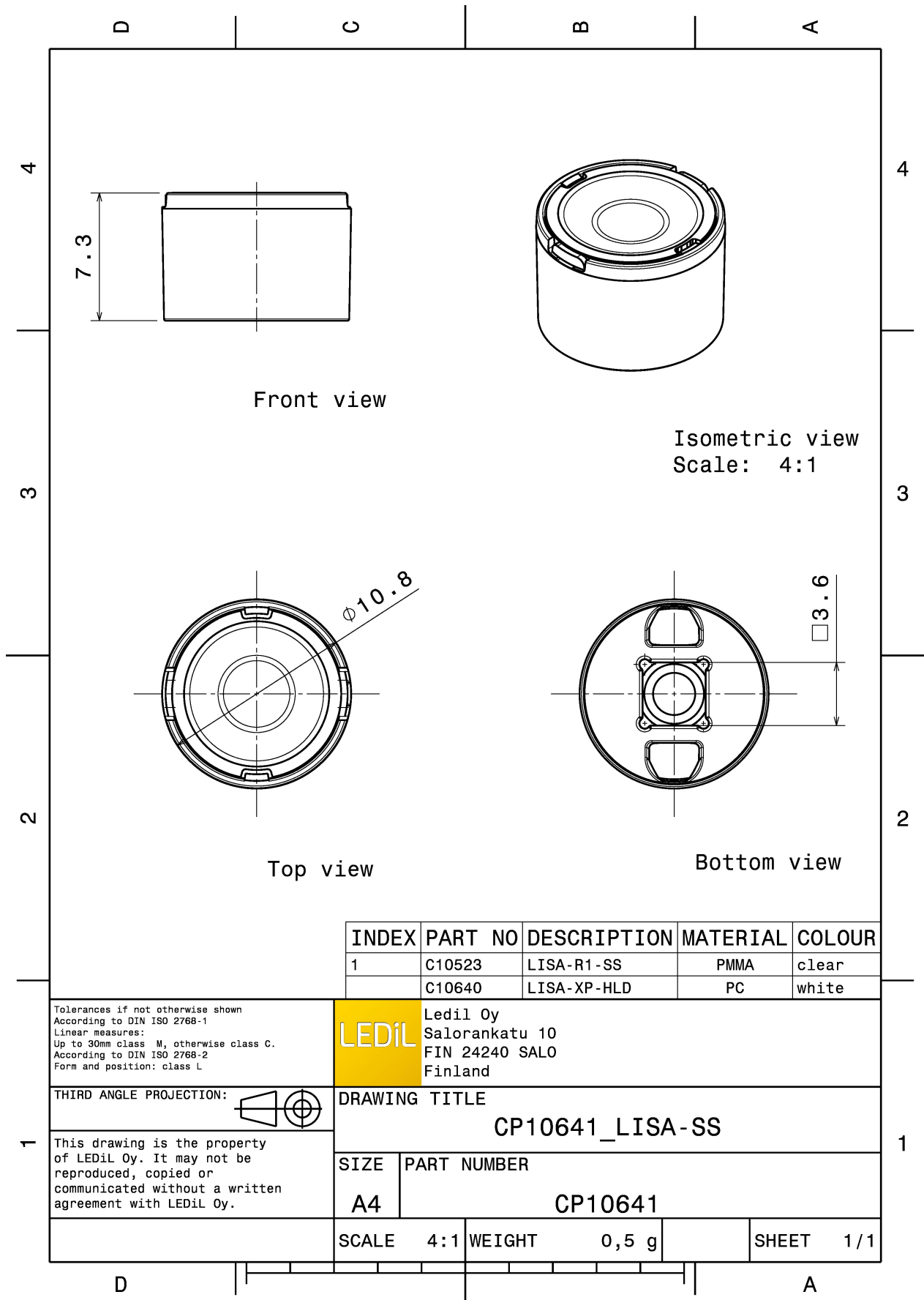


### MATERIALS:

Component	Type	Material	Colour	Finish
LISA-R1-SS	Single lens	PMMA	clear	
LISA-XP-HLD	Holder	PC	white	

### ORDERING INFORMATION:

Component		Qty in box	MOQ	MPQ	Box weight (kg)
CP10641_LISA-SS	Single lens	10000	300	100	6.6
» Box size: 254 x 298 x 241 mm					



INDEX	PART NO	DESCRIPTION	MATERIAL	COLOUR
1	C10523	LISA-R1-SS	PMMA	clear
	C10640	LISA-XP-HLD	PC	white

Tolerances if not otherwise shown  
According to DIN ISO 2768-1  
Linear measures:  
Up to 30mm class M, otherwise class C.  
According to DIN ISO 2768-2  
Form and position: class L

**LEDiL** LediL Oy  
Salorankatu 10  
FIN 24240 SALO  
Finland

THIRD ANGLE PROJECTION:

DRAWING TITLE  
**CP10641\_LISA-SS**

This drawing is the property of LEDiL Oy. It may not be reproduced, copied or communicated without a written agreement with LEDiL Oy.

SIZE	PART NUMBER
A4	CP10641

SCALE	4:1	WEIGHT	0,5 g	SHEET	1/1
-------	-----	--------	-------	-------	-----

See also our general installation guide: [www.ledil.com/installation\\_guide](http://www.ledil.com/installation_guide)

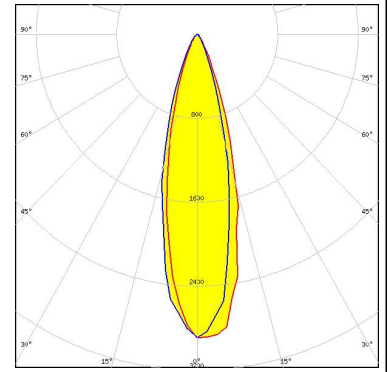
### OPTICAL RESULTS (MEASURED):



LED XP-E  
FWHM / FWTM 22.0° / 43.0°  
Efficiency 86 %  
Peak intensity 3.8 cd/m  
LEDs/each optic 1  
Light colour White  
Required components:



LED XP-G  
FWHM / FWTM 30.0° / 56.0°  
Efficiency 87 %  
Peak intensity 2.9 cd/m  
LEDs/each optic 1  
Light colour White  
Required components:

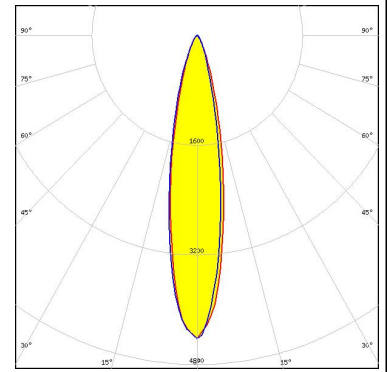


#### OPTICAL RESULTS (SIMULATED):

##### OSRAM

Opto Semiconductors

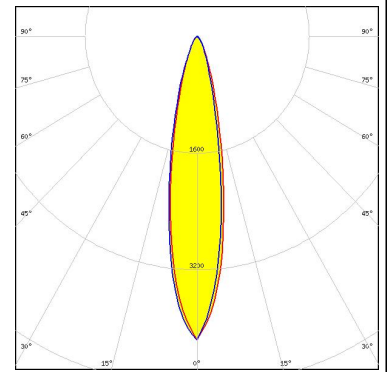
LED Duris S5 (2 chip)  
 FWHM / FWTM 21.0° / 44.0°  
 Efficiency 94 %  
 Peak intensity 4.5 cd/lm  
 LEDs/each optic 1  
 Light colour White  
 Required components:



##### OSRAM

Opto Semiconductors

LED Duris S5 (Single chip)  
 FWHM / FWTM 20.7° / 45.3°  
 Efficiency 93 %  
 Peak intensity 4.2 cd/lm  
 LEDs/each optic 1  
 Light colour White  
 Required components:



SEOUL SEMICONDUCTOR

LED Z5  
 FWHM / FWTM 19.0°  
 Efficiency %  
 LEDs/each optic 1  
 Light colour White  
 Required components: