

### LOS-O-90

~10° x 40° oval beam optimized for Osram Oslon Square EC. 14.3 mm high assembly. Variant with beam direction rotated 90°.

#### SPECIFICATION:

Dimensions	Ø 21.6 mm
Height	14.3 mm
Fastening	glue, pin
ROHS compliant	yes ⓘ

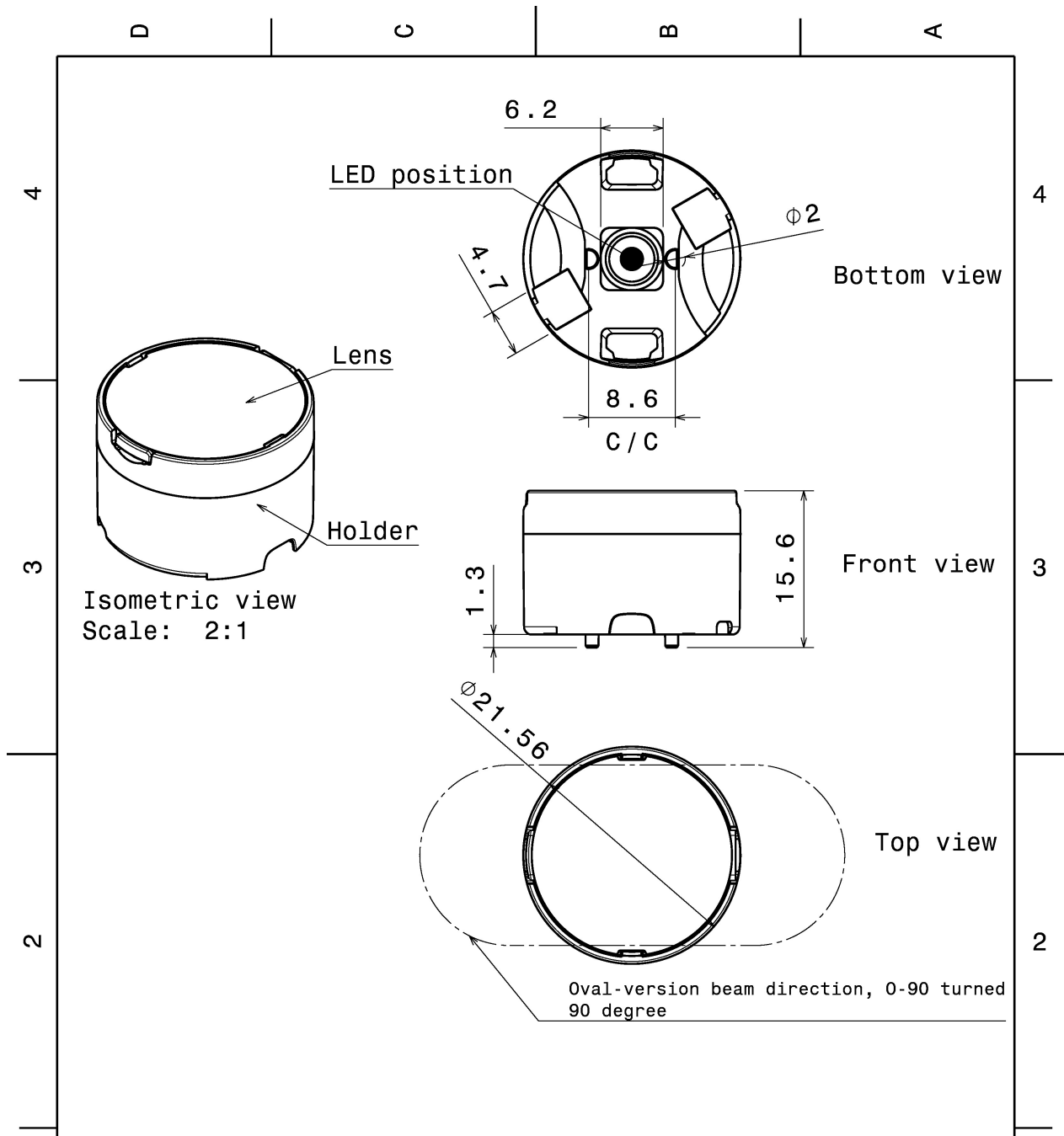


#### MATERIALS:

Component	Type	Material	Colour	Finish
LXP2-O-90	Single lens	PMMA	clear	
LEILA-HLD-OSL	Holder	PC	white	

#### ORDERING INFORMATION:

Component		Qty in box	MOQ	MPQ	Box weight (kg)
CP12415_LOS-O-90	Single lens	1680	336	112	9.1
» Box size: 480 x 280 x 300 mm					



Tolerances if not otherwise shown  
 According to DIN ISO 2768-1  
 Linear measures:  
 Up to 30mm class M, otherwise class C.  
 According to DIN ISO 2768-2  
 Form and position: class L

**LEDiL** Ledil Oy  
 Salorankatu 10  
 FIN 24240 SALO  
 Finland

THIRD ANGLE PROJECTION:

DRAWING TITLE  
**LOS-series assembly**

This drawing is the property of LEDiL Oy. It may not be reproduced, copied or communicated without a written agreement with LEDiL Oy."

SIZE	PART NUMBER
A4	-

SCALE	2:1	WEIGHT	-	SHEET	1/1
-------	-----	--------	---	-------	-----

See also our general installation guide: [www.ledil.com/installation\\_guide](http://www.ledil.com/installation_guide)

#### OPTICAL RESULTS (MEASURED):

<p><b>NICHIA</b></p> <p>LED NF2x757A</p> <p>FWHM / FWTM 14.0 + 39.0° / 29.0 + 63.0°</p> <p>Efficiency 94 %</p> <p>Peak intensity 4.7 cd/lm</p> <p>LEDs/each optic 1</p> <p>Light colour White</p> <p>Required components:</p>	
<p><b>OSRAM</b> Opto Semiconductors</p> <p>LED Duris S5 (2 chip)</p> <p>FWHM / FWTM 14.0 + 42.0° / 28.0 + 64.0°</p> <p>Efficiency 91 %</p> <p>Peak intensity 4.5 cd/lm</p> <p>LEDs/each optic 1</p> <p>Light colour White</p> <p>Required components:</p>	

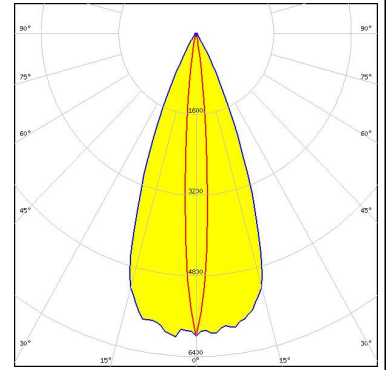
#### OPTICAL RESULTS (SIMULATED):

<p><b>LUMILEDS</b></p> <p>LED: LUXEON C            FWHM / FWTM: 12.0 + 40.0° / 24.0 + 62.0°            Efficiency: 95 %            Peak intensity: 5.2 cd/lm            LEDs/each optic: 1            Light colour: White            Required components:</p>	
<p><b>NICHIA</b></p> <p>LED: NF2x757G            FWHM / FWTM: 13.0 + 40.0° / 28.0 + 63.0°            Efficiency: 91 %            Peak intensity: 4.5 cd/lm            LEDs/each optic: 1            Light colour: White            Required components:</p>	
<p><b>NICHIA</b></p> <p>LED: NFSW757H            FWHM / FWTM: 12.0 + 40.0° / 26.0 + 61.0°            Efficiency: 94 %            Peak intensity: 5.1 cd/lm            LEDs/each optic: 1            Light colour: White            Required components:</p>	
<p><b>OSRAM</b>  <small>Opto Semiconductors</small></p> <p>LED: OSOLON Square EC            FWHM / FWTM: 11.0 + 41.0° / 24.0 + 60.0°            Efficiency: 94 %            Peak intensity: 5.4 cd/lm            LEDs/each optic: 1            Light colour: White            Required components:</p>	

### OPTICAL RESULTS (SIMULATED):

#### OSRAM Opto Semiconductors

LED OSLOM SSL 150  
FWHM / FWTM 9.0 + 42.0° / 18.0 + 59.0°  
Efficiency %  
Peak intensity 6 cd/lm  
LEDs/each optic 1  
Light colour White  
Required components:



#### OSRAM Opto Semiconductors

LED OSLOM SSL 80  
FWHM / FWTM 11.0 + 38.0° / 23.0 + 60.0°  
Efficiency %  
Peak intensity 4.9 cd/lm  
LEDs/each optic 1  
Light colour White  
Required components:

