

## LOS-W

~40° wide beam optimized for Osram Oslon Square EC. 14.3 mm high assembly.

### SPECIFICATION:

Dimensions	Ø 21.6 mm
Height	14.3 mm
Fastening	glue, pin
ROHS compliant	yes ⓘ

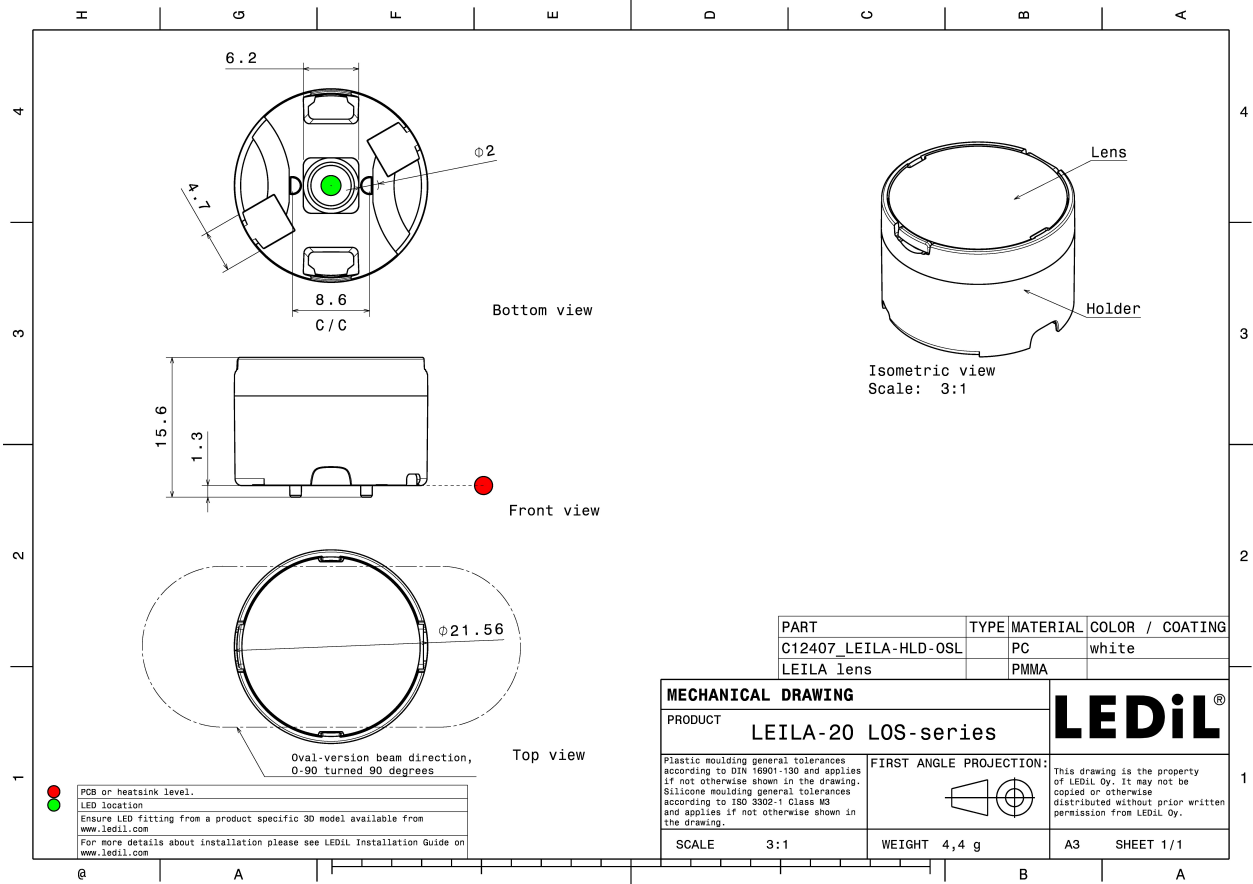


### MATERIALS:

Component	Type	Material	Colour	Finish
LXP2-W	Single lens	PMMA		
LEILA-HLD-OSL	Holder	PC	white	

### ORDERING INFORMATION:

Component	Type	Qty in box	MOQ	MPQ	Box weight (kg)
CP12416_LOS-W	Single lens	1680		112	9.0
» Box size: 480 x 280 x 300 mm					



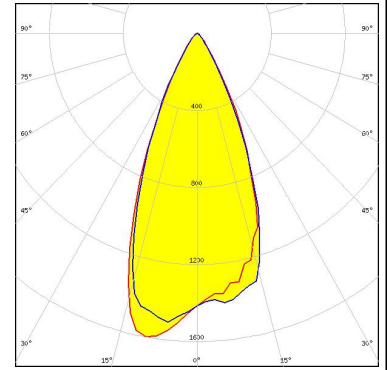
See also our general installation guide: [www.ledil.com/installation\\_guide](http://www.ledil.com/installation_guide)

### OPTICAL RESULTS (MEASURED):

#### OSRAM

Opto Semiconductors

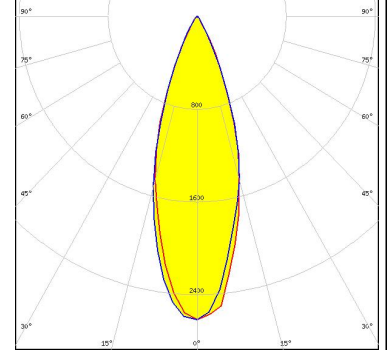
LED OSLON Square EC  
 FWHM / FWTM 46.0° / 69.0°  
 Efficiency 90 %  
 Peak intensity 1.4 cd/lm  
 LEDs/each optic 1  
 Light colour White  
 Required components:



#### OSRAM

Opto Semiconductors

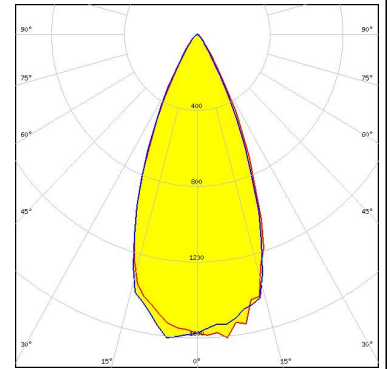
LED OSLON SSL 150  
 FWHM / FWTM 34.0° / 58.0°  
 Efficiency 92 %  
 Peak intensity 2.6 cd/lm  
 LEDs/each optic 1  
 Light colour White  
 Required components:



#### OSRAM

Opto Semiconductors

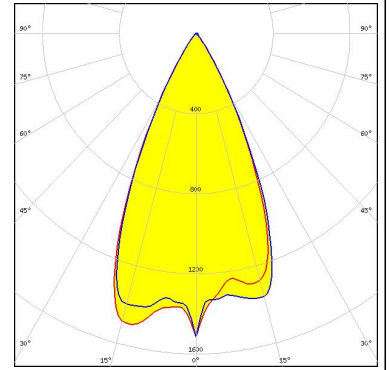
LED OSLON SSL 80  
 FWHM / FWTM 46.0° / 68.0°  
 Efficiency 92 %  
 Peak intensity 1.6 cd/lm  
 LEDs/each optic 1  
 Light colour White  
 Required components:



### OPTICAL RESULTS (SIMULATED):



LED XQ-E HD  
FWHM / FWTM 50.0° / 68.0°  
Efficiency 96 %  
Peak intensity 1.5 cd/lm  
LEDs/each optic 1  
Light colour White  
Required components:



LED LUXEON C  
FWHM / FWTM 34.0° / 62.0°  
Efficiency 94 %  
Peak intensity 2.3 cd/lm  
LEDs/each optic 1  
Light colour White  
Required components:

