

RGBX2-S

~20° spot beam optimized for CREE XM-L RGB.
Assembly with holder.

TECHNICAL SPECIFICATIONS:

Dimensions	Ø 30.4 mm
Height	28.2 mm
Fastening	glue
ROHS compliant	yes ⓘ

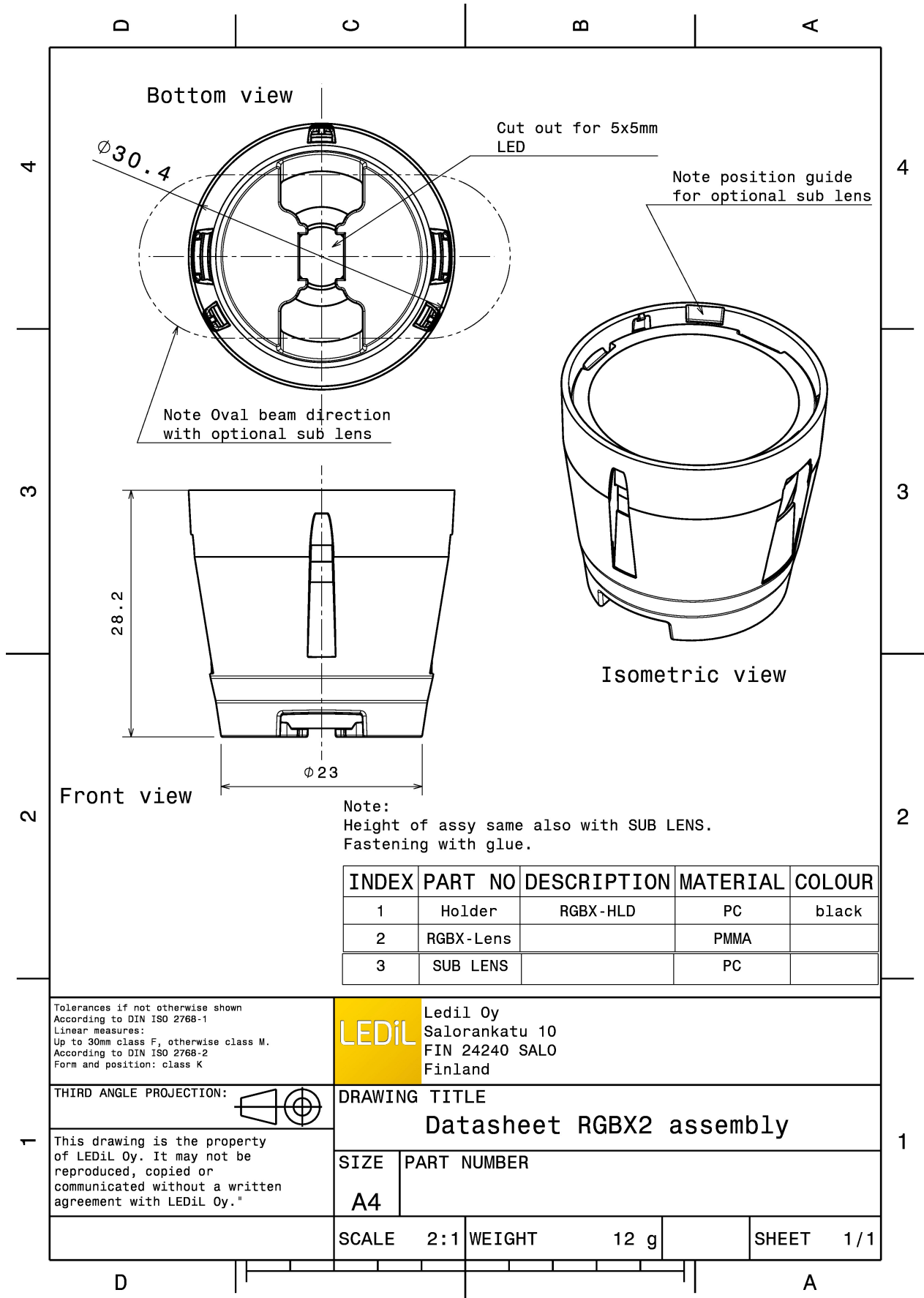
MATERIAL SPECIFICATIONS:

Component	Type	Material	Colour	Finish
RGBX2-S	Single lens	PMMA	clear	
RGBX-HLD	Holder	PC	black	

ORDERING INFORMATION:

Component	Type	Qty in box	MOQ	MPQ	Box weight (kg)
CP13682_RGBX2-S » Box size: 480 x 280 x 300 mm	Single lens	486	108	54	6.8



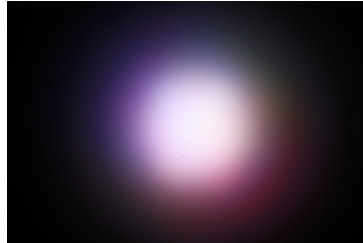


See also our general installation guide: www.ledil.com/installation_guide

PHOTOMETRIC DATA (MEASURED):



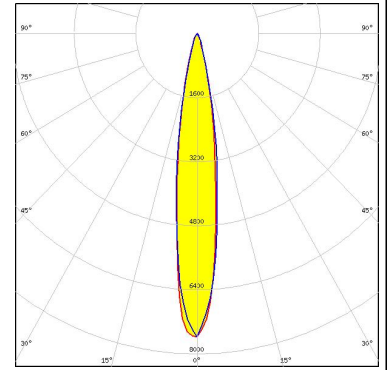
LED XM-L RGB
FWHM / FWTM 20.0° / 40.0°
Efficiency 77 %
Peak intensity 4.6 cd/lm
LEDs/each optic 1
Light colour White
Required components:



PHOTOMETRIC DATA (SIMULATED):



LED XM-L RGB
 FWHM / FWTM 16.0° / 33.0°
 Efficiency 94 %
 Peak intensity 8.6 cd/lm
 LEDs/each optic 1
 Light colour RGBW
 Required components:



LED XQ-E HI
 FWHM / FWTM 15.0° / 37.0°
 Efficiency 83 %
 Peak intensity 6 cd/lm
 LEDs/each optic 4
 Light colour RGBW
 Required components:

