

YASMEEN-50-M-B

~26° wide beam. Assembly with holder B compatible with Ø35 mm BJB connectors. Black version.

TECHNICAL SPECIFICATIONS:

Dimensions	Ø 49.9 mm
Height	30.5 mm
ROHS compliant	yes ⓘ

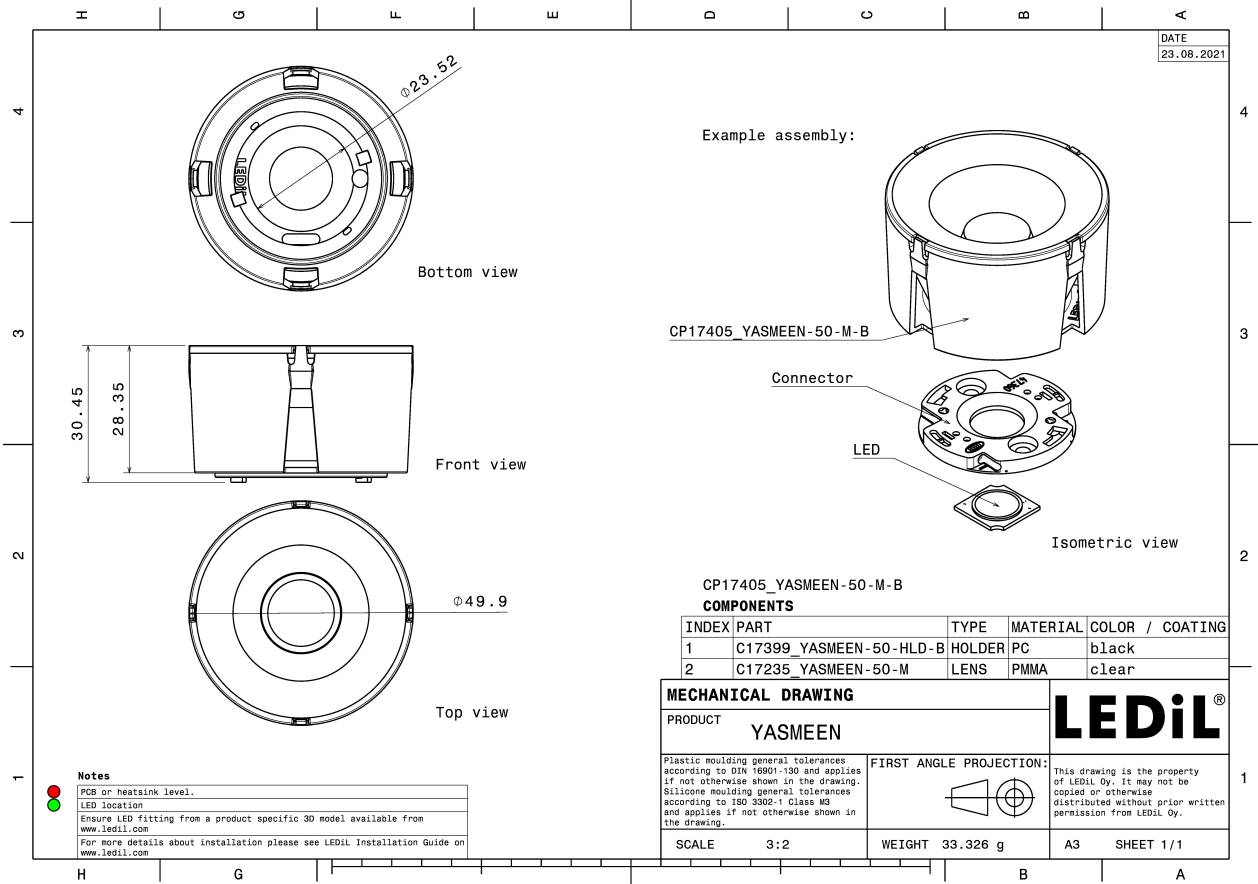


MATERIAL SPECIFICATIONS:

Component	Type	Material	Colour	Finish
YASMEEN-50-M	Single lens	PMMA	clear	
YASMEEN-50-HLD-B	Holder	PC	black	

ORDERING INFORMATION:

Component		Qty in box	MOQ	MPQ	Box weight (kg)
CP17405_YASMEEN-50-M-B	Single lens	252	112	28	9.8
» Box size: 476 x 273 x 305 mm					

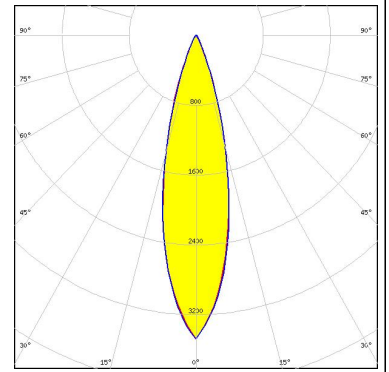


See also our general installation guide: www.ledil.com/installation_guide

PHOTOMETRIC DATA (SIMULATED):

CITIZEN

LED CLL02x/CLU02x (LES10)
FWHM / FWTM 26.0° / 46.0°
Efficiency 82 %
Peak intensity 3.5 cd/lm
LEDs/each optic 1
Light colour White
Required components:
BJB: 47.360.1020



CITIZEN

LED CLU700/701/702
FWHM / FWTM 28.0° / 44.0°
Efficiency 84 %
Peak intensity 3.5 cd/lm
LEDs/each optic 1
Light colour White
Required components:
BJB: 47.360.1020

