

## YASMEEN-50-W-B

~36° wide beam. Assembly with holder B compatible with Ø35 mm BJB connectors. Black version.

### TECHNICAL SPECIFICATIONS:

Dimensions	Ø 49.9 mm
Height	30.5 mm
ROHS compliant	yes ⓘ

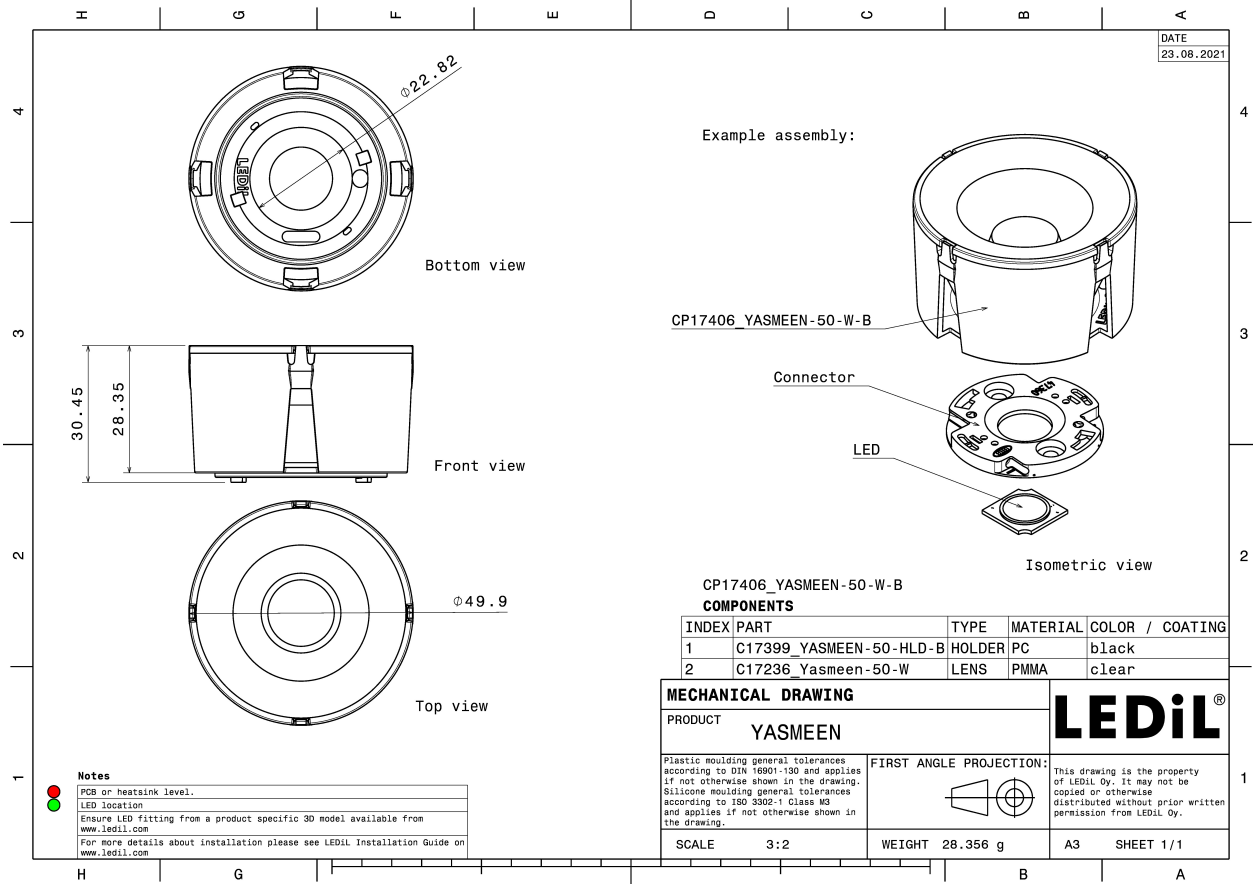


### MATERIAL SPECIFICATIONS:

Component	Type	Material	Colour	Finish
YASMEEN-50-W	Single lens	PMMA	clear	
YASMEEN-50-HLD-B	Holder	PC	black	

### ORDERING INFORMATION:

Component	Type	Qty in box	MOQ	MPQ	Box weight (kg)
CP17406_YASMEEN-50-W-B » Box size: 476 x 273 x 305 mm	Single lens	252	112	28	9.2

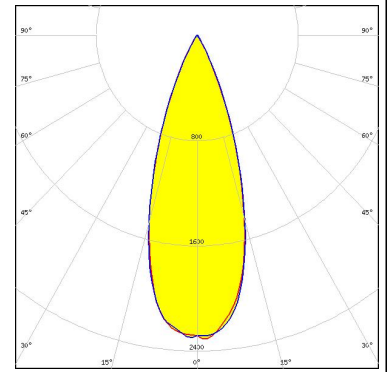


See also our general installation guide: [www.ledil.com/installation\\_guide](http://www.ledil.com/installation_guide)

### PHOTOMETRIC DATA (SIMULATED):

#### CITIZEN

LED CLL02x/CLU02x (LES10)  
FWHM / FWTM 36.0° / 56.0°  
Efficiency 86 %  
Peak intensity 2.3 cd/lm  
LEDs/each optic 1  
Light colour White  
Required components:  
BJB: 47.360.1020



#### CITIZEN

LED CLU700/701/702  
FWHM / FWTM 37.0° / 54.0°  
Efficiency 89 %  
Peak intensity 2.4 cd/lm  
LEDs/each optic 1  
Light colour White  
Required components:  
BJB: 47.360.1020

