

## YASMEEN-70-W-B-WHT

~36° spot beam. Assembly with holder B compatible with Ø35 mm BJB connectors. White version.

### TECHNICAL SPECIFICATIONS:

Dimensions	Ø 69.9 mm
Height	42.3 mm
ROHS compliant	yes ⓘ

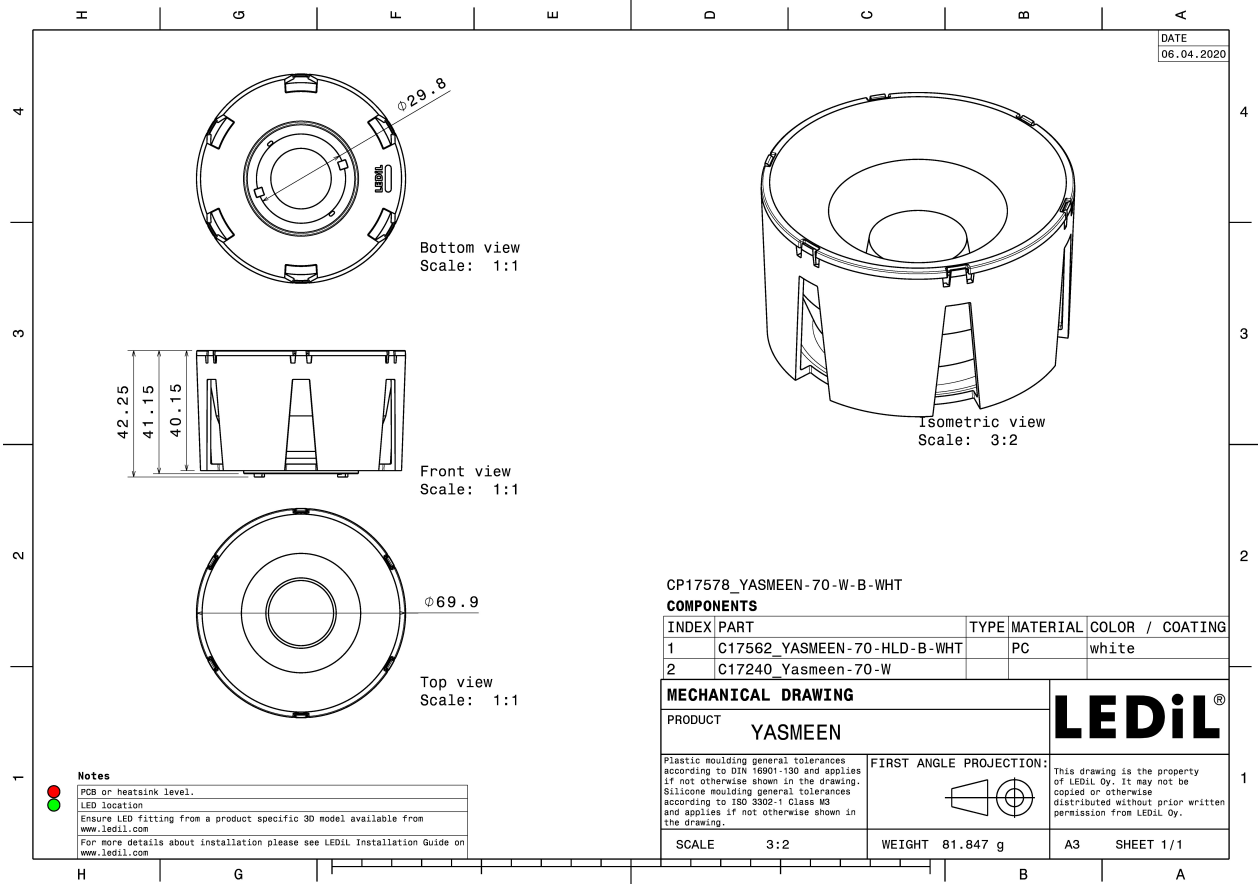


### MATERIAL SPECIFICATIONS:

Component	Type	Material	Colour	Finish
YASMEEN-70-W	Single lens	PMMA	clear	
YASMEEN-70-HLD-B-WHT	Holder	PC	white	

### ORDERING INFORMATION:

Component	Type	Qty in box	MOQ	MPQ	Box weight (kg)
CP17578_YASMEEN-70-W-B-WHT » Box size: 476 x 273 x 305 mm	Single lens	105	105	15	10.0

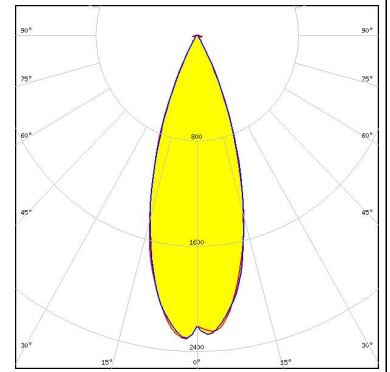


See also our general installation guide: [www.ledil.com/installation\\_guide](http://www.ledil.com/installation_guide)

### PHOTOMETRIC DATA (SIMULATED):

#### CITIZEN

LED CLL03x/CLU03x  
FWHM / FWTM 36.0° / 56.0°  
Efficiency 92 %  
Peak intensity 2.3 cd/lm  
LEDs/each optic 1  
Light colour White  
Required components:  
BJB: 47.360.1010



#### CITIZEN

LED CLU712  
FWHM / FWTM 38.0° / 54.0°  
Efficiency 93 %  
Peak intensity 2.3 cd/lm  
LEDs/each optic 1  
Light colour White  
Required components:  
BJB: 47.360.1010

