

YASMEEN-50-ZOOM-C

Infinitely adjustable beam from 15 to 45 degrees.
Assembly with holder C compatible with HEKLA sockets and connectors. Black version.

TECHNICAL SPECIFICATIONS:

Dimensions	Ø 52.5 mm
Height	33.3 mm
ROHS compliant	yes ⓘ



MATERIAL SPECIFICATIONS:

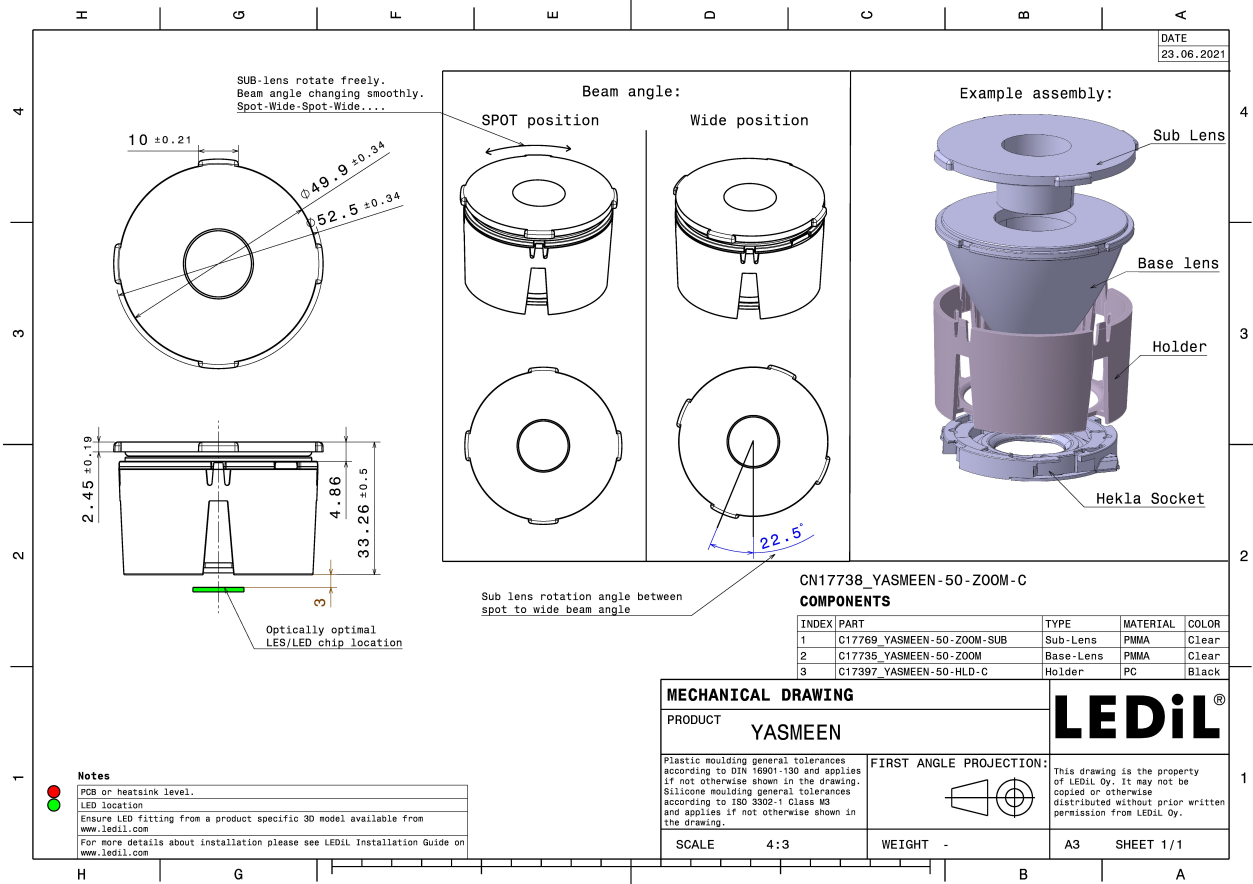
Component	Type	Material	Colour	Finish
CP17737_YASMEEN-50-ZOOM-C	Assembly			
C17769_YASMEEN-50-ZOOM-SUB	Sublens	PMMA		

ORDERING INFORMATION:

Quantities for one set:


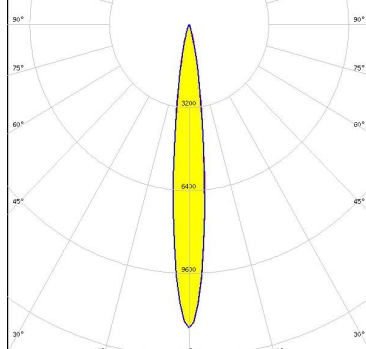
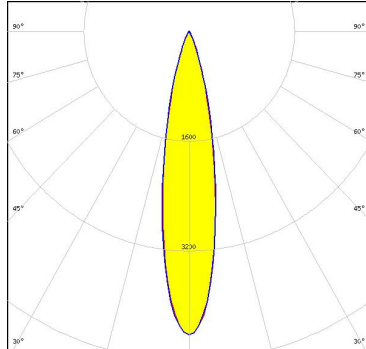
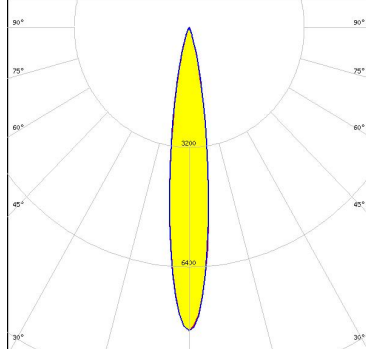
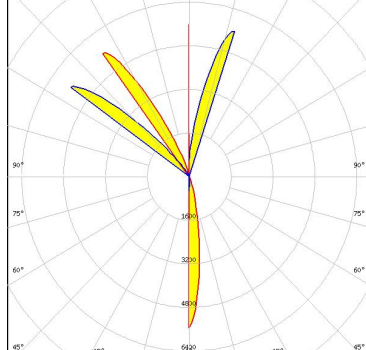
Sublens	1
Assembly	1

Component		Qty in box	MOQ	MPQ	Box weight (kg)
C17769_YASMEEN-50-ZOOM-SUB » Box size: 480 x 280 x 165 mm	Sublens	252	112	28	2.9
CP17737_YASMEEN-50-ZOOM-C » Box size: 476 x 273 x 305 mm	Assembly	252	112	28	10.6



See also our general installation guide: www.ledil.com/installation_guide

PHOTOMETRIC DATA (SIMULATED):

<p> LED V4 HD Gen 7</p> <p>FWHM / FWTM 12.0 + 45.0° / 26.0 + 70.0°</p> <p>Efficiency 84 %</p> <p>Peak intensity 11.7 cd/lm</p> <p>LEDs/each optic 1</p> <p>Light colour White</p> <p>Required components: F15253_HEKLA-SOCKET-A</p>	
<p>SAMSUNG</p> <p>LED LC003D / LC006D / LC009D / LC013D</p> <p>FWHM / FWTM 21.0 + 44.0° / 42.0 + 75.0°</p> <p>Efficiency 79 %</p> <p>Peak intensity 4.4 cd/lm</p> <p>LEDs/each optic 1</p> <p>Light colour White</p> <p>Required components: F17435_HEKLA-G2-C</p>	
<p>SAMSUNG</p> <p>LED LC010C G2</p> <p>FWHM / FWTM 15.0 + 44.0° / 31.0 + 71.0°</p> <p>Efficiency 82 %</p> <p>Peak intensity 8.1 cd/lm</p> <p>LEDs/each optic 1</p> <p>Light colour White</p> <p>Required components: F17435_HEKLA-G2-C</p>	
<p>SAMSUNG</p> <p>LED LC010T (Tunable White)</p> <p>FWHM / FWTM 18.5 + 43.0° / 37.0 + 73.0°</p> <p>Efficiency 81 %</p> <p>Peak intensity 5.6 cd/lm</p> <p>LEDs/each optic 1</p> <p>Light colour White</p> <p>Required components: F17438_HEKLA-G2-I</p>	

PHOTOMETRIC DATA (SIMULATED):

SAMSUNG

LED LC020T (Tunable white)
FWHM / FWTM 24.0 + 44.0° / 46.0 + 78.0°
Efficiency 80 %
Peak intensity 3.4 cd/lm
LEDs/each optic 1
Light colour Tunable White
Required components:
C16142_HEKLA-SOCKET-K
Bender Wirth: 501 Typ L8

