

### YASMEEN-50-ZOOM-B

Infinitely adjustable beam from 15 to 45 degrees.  
Assembly with holder B compatible with Ø35 mm BJB + B+W connectors. Black version

#### TECHNICAL SPECIFICATIONS:

Dimensions	Ø 52.5 mm
Height	34.5 mm
ROHS compliant	yes ⓘ



#### MATERIAL SPECIFICATIONS:

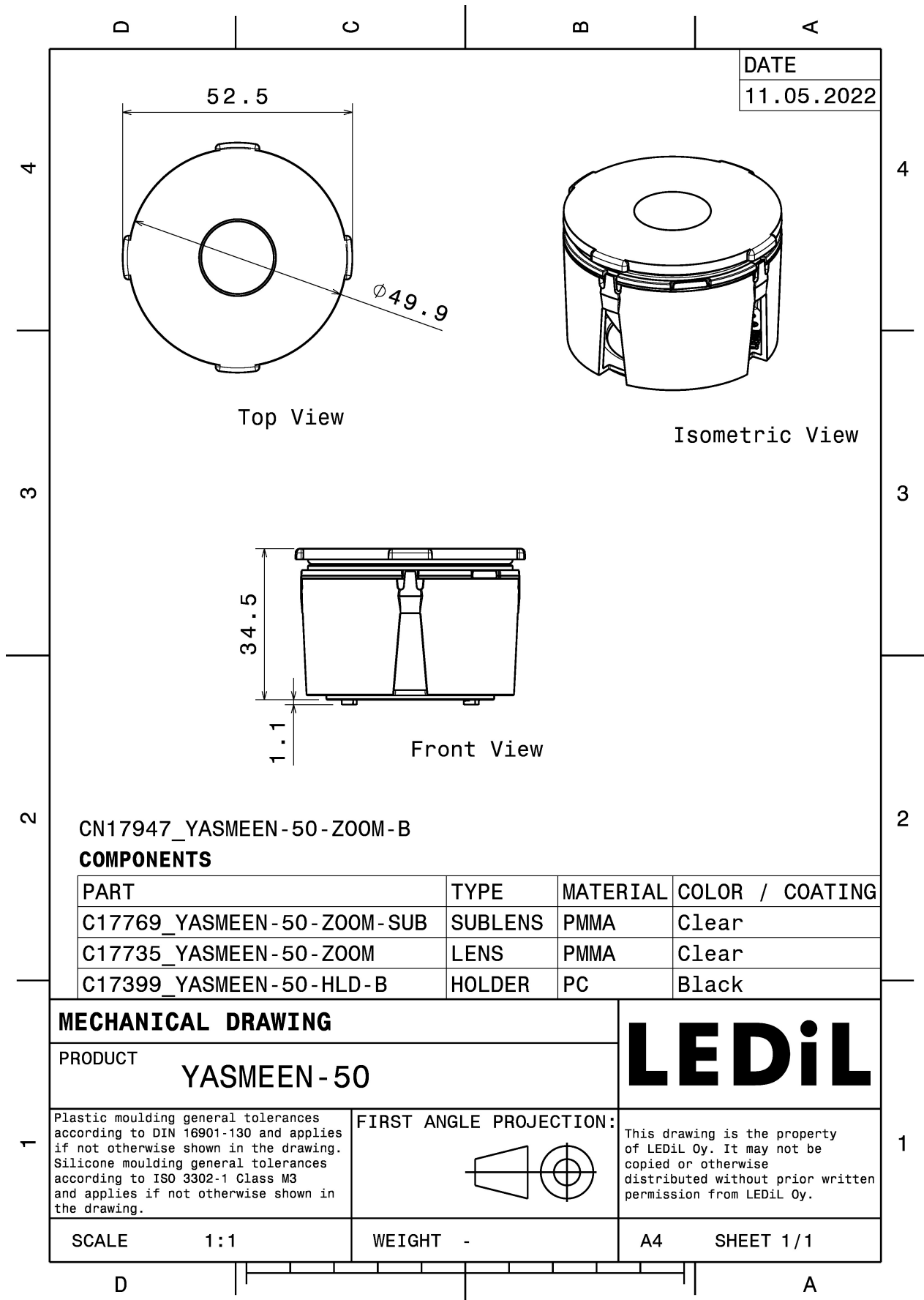
Component	Type	Material	Colour	Finish
CP17739_YASMEEN-50-ZOOM-B	Assembly			
C17769_YASMEEN-50-ZOOM-SUB	Sublens	PMMA		

#### ORDERING INFORMATION:

##### Quantities for one set:

Sublens	1
Assembly	1

Component		Qty in box	MOQ	MPQ	Box weight (kg)
C17769_YASMEEN-50-ZOOM-SUB » Box size: 480 x 280 x 165 mm	Sublens	252	112	28	2.9
CP17739_YASMEEN-50-ZOOM-B » Box size: 476 x 273 x 305 mm	Assembly	252	112	28	10.6



DATE
11.05.2022

CN17947\_YASMEEN-50-ZOOM-B

**COMPONENTS**

PART	TYPE	MATERIAL	COLOR / COATING
C17769_YASMEEN-50-ZOOM-SUB	SUBLENS	PMMA	Clear
C17735_YASMEEN-50-ZOOM	LENS	PMMA	Clear
C17399_YASMEEN-50-HLD-B	HOLDER	PC	Black

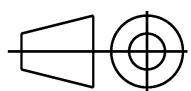
**MECHANICAL DRAWING**

PRODUCT  
**YASMEEN-50**

# LEDiL

Plastic moulding general tolerances according to DIN 16901-130 and applies if not otherwise shown in the drawing. Silicone moulding general tolerances according to ISO 3302-1 Class M3 and applies if not otherwise shown in the drawing.

**FIRST ANGLE PROJECTION:**



This drawing is the property of LEDiL Oy. It may not be copied or otherwise distributed without prior written permission from LEDiL Oy.

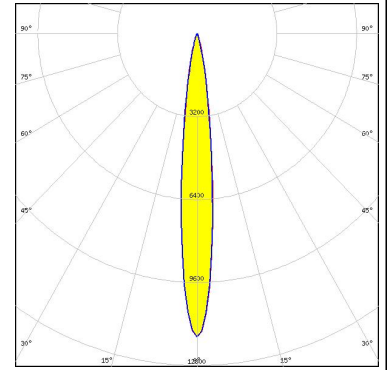
SCALE	1:1	WEIGHT	-	A4	SHEET 1/1
-------	-----	--------	---	----	-----------

See also our general installation guide: [www.ledil.com/installation\\_guide](http://www.ledil.com/installation_guide)

### PHOTOMETRIC DATA (SIMULATED):

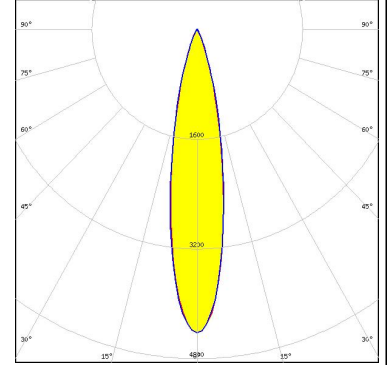
bridgelux

LED V4 HD Gen 7  
 FWHM / FWTM 12.0 + 45.0° / 26.0 + 70.0°  
 Efficiency 84 %  
 Peak intensity 11.7 cd/lm  
 LEDs/each optic 1  
 Light colour White  
 Required components:  
 F15253\_HEKLA-SOCKET-A



### SAMSUNG

LED LC003D / LC006D / LC009D / LC013D  
 FWHM / FWTM 21.0 + 44.0° / 42.0 + 75.0°  
 Efficiency 79 %  
 Peak intensity 4.4 cd/lm  
 LEDs/each optic 1  
 Light colour White  
 Required components:  
 F17435\_HEKLA-G2-C



### SAMSUNG

LED LC010C G2  
 FWHM / FWTM 15.0 + 44.0° / 31.0 + 71.0°  
 Efficiency 82 %  
 Peak intensity 8.1 cd/lm  
 LEDs/each optic 1  
 Light colour White  
 Required components:  
 F17435\_HEKLA-G2-C

