

AMY-70-O-B

~25 + 60° oval beam. Assembly with holder B compatible with Ø35 mm BJB + B+W connectors. Black version.

TECHNICAL SPECIFICATIONS:

Dimensions	Ø 69.9 mm
Height	19 mm
ROHS compliant	yes ⓘ

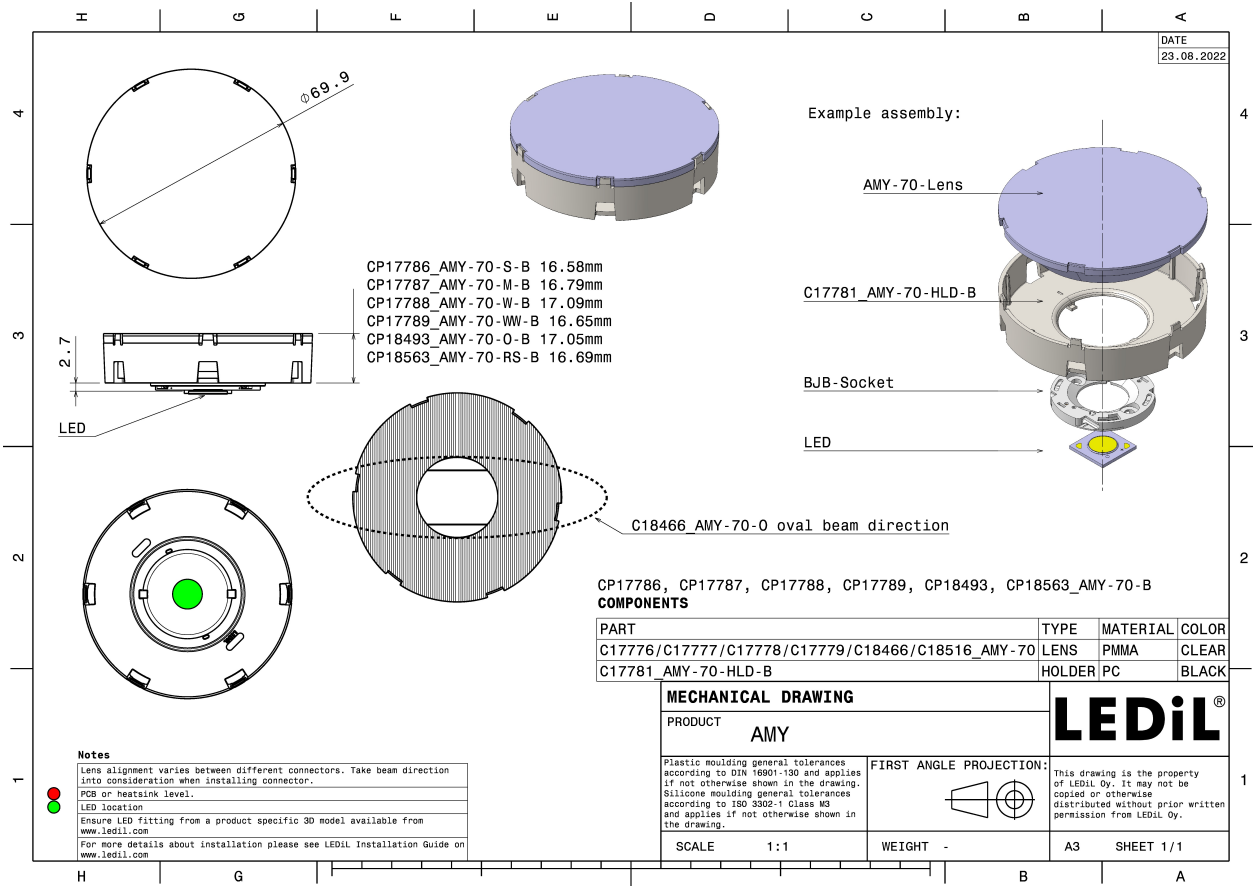


MATERIAL SPECIFICATIONS:

Component	Type	Material	Colour	Finish
AMY-70-O	Single lens	PMMA		
AMY-70-HLD-B	Holder	PC		

ORDERING INFORMATION:

Component	Qty in box	MOQ	MPQ	Box weight (kg)
CP18493_AMY-70-O-B » Box size: 480 x 280 x 300 mm	210	210	15	9.5

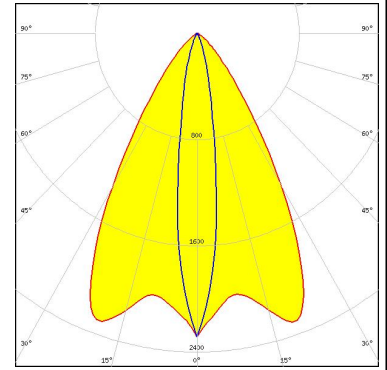


See also our general installation guide: www.ledil.com/installation_guide

PHOTOMETRIC DATA (SIMULATED):

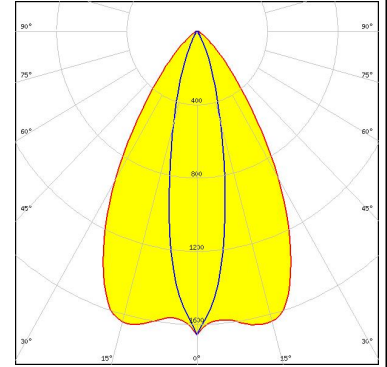
CITIZEN

LED CLL02x/CLU02x (LES10)
 FWHM / FWTM 62.0 + 16.0° / 92.0 + 36.0°
 Efficiency 89 %
 Peak intensity 2.3 cd/lm
 LEDs/each optic 1
 Light colour White
 Required components:
 BJB: 47.360.1020



CITIZEN

LED CLL03x/CLU03x
 FWHM / FWTM 62.0 + 22.0° / 94.0 + 48.0°
 Efficiency 87 %
 Peak intensity 1.7 cd/lm
 LEDs/each optic 1
 Light colour White
 Required components:
 BJB: 47.360.1010



SAMSUNG

LED LC016D / LC019D / LC026D / LC033D
 FWHM / FWTM 62.0 + 24.0° / 94.0 + 50.0°
 Efficiency 86 %
 Peak intensity 1.6 cd/lm
 LEDs/each optic 1
 Light colour White
 Required components:
 BJB: 47.360.1010

