

YASMEEN-50-ZOOM

Infinitely adjustable beam from 15 to 45 degrees.
Assembly with holder C (LEDiL HEKLA) and B
(BJB and B+W). Black and white versions.

SPECIFICATION:

Dimensions	Ø 49.9 mm
Height	29 mm
Fastening	socket
ROHS compliant	yes ⓘ

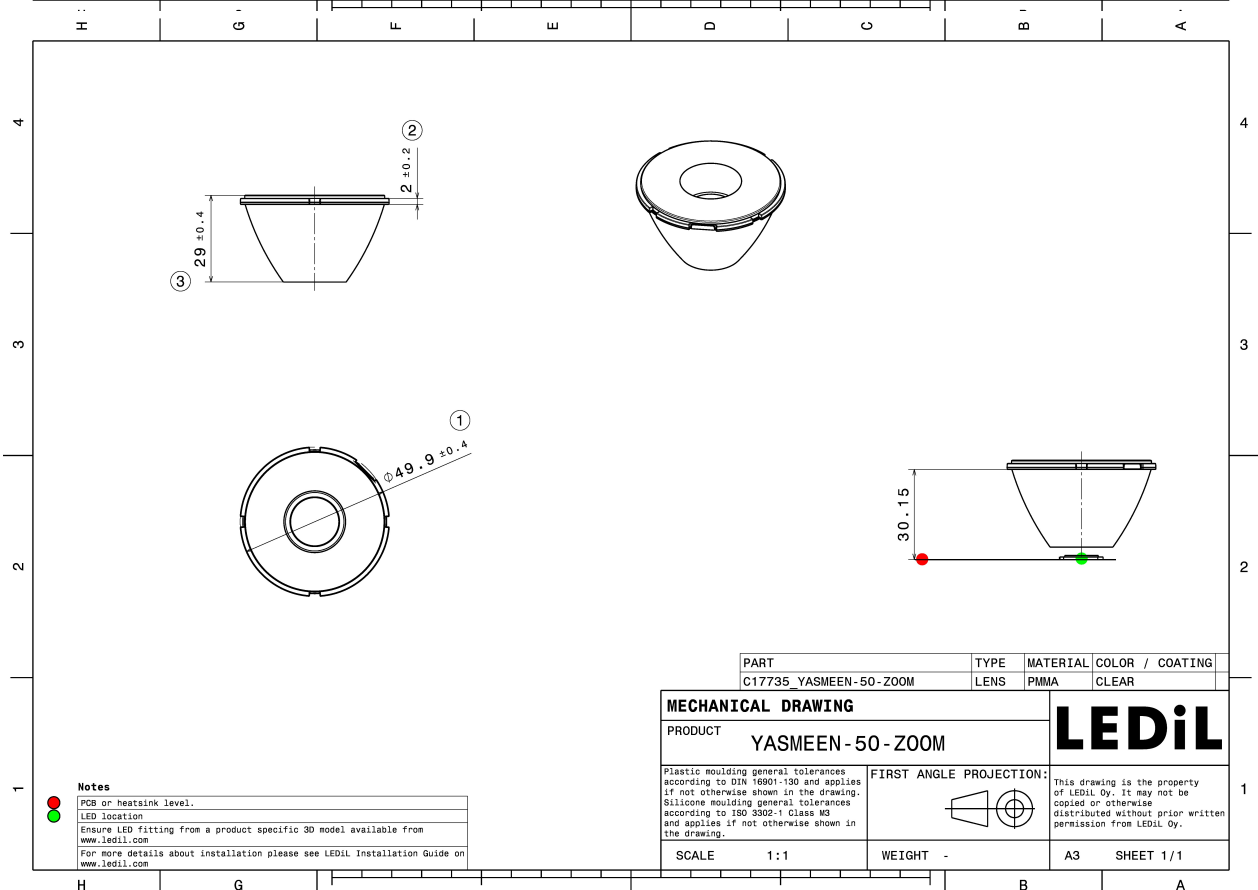
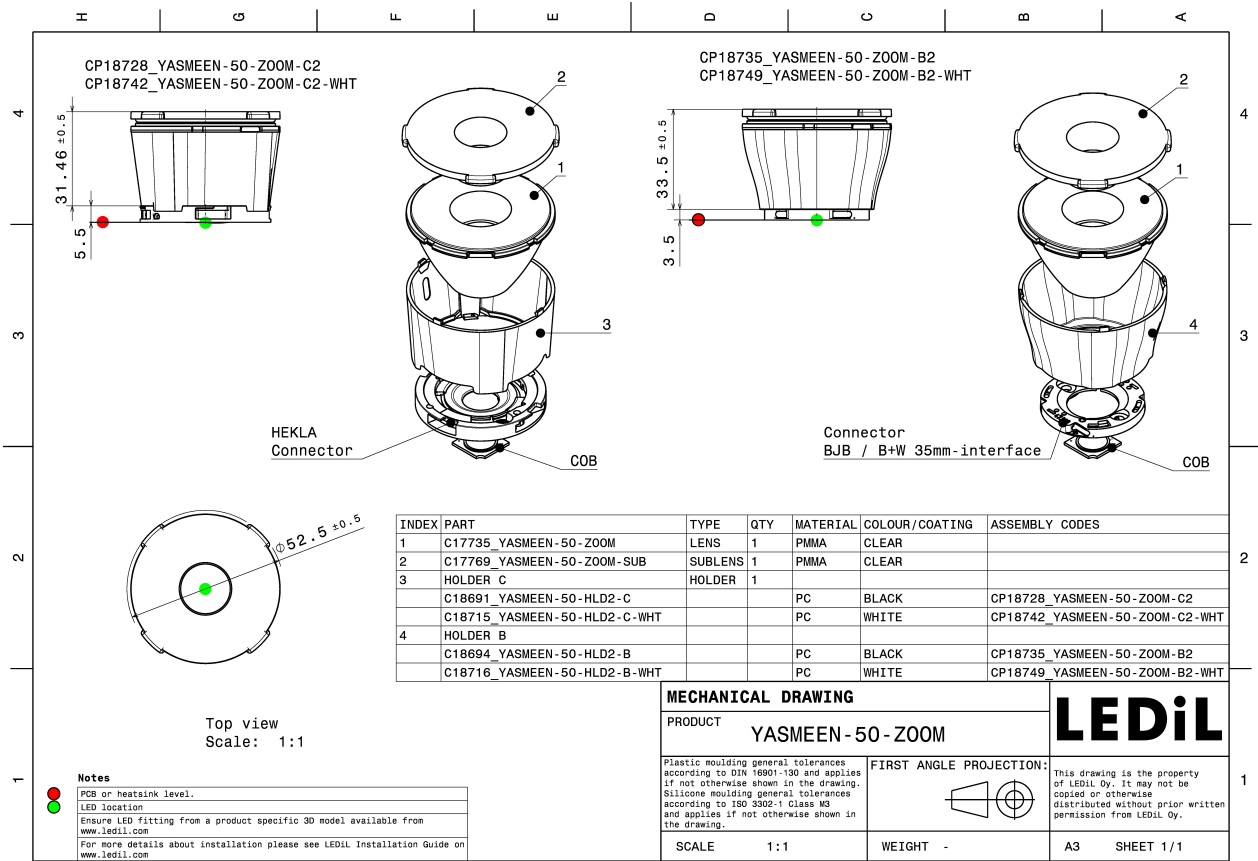


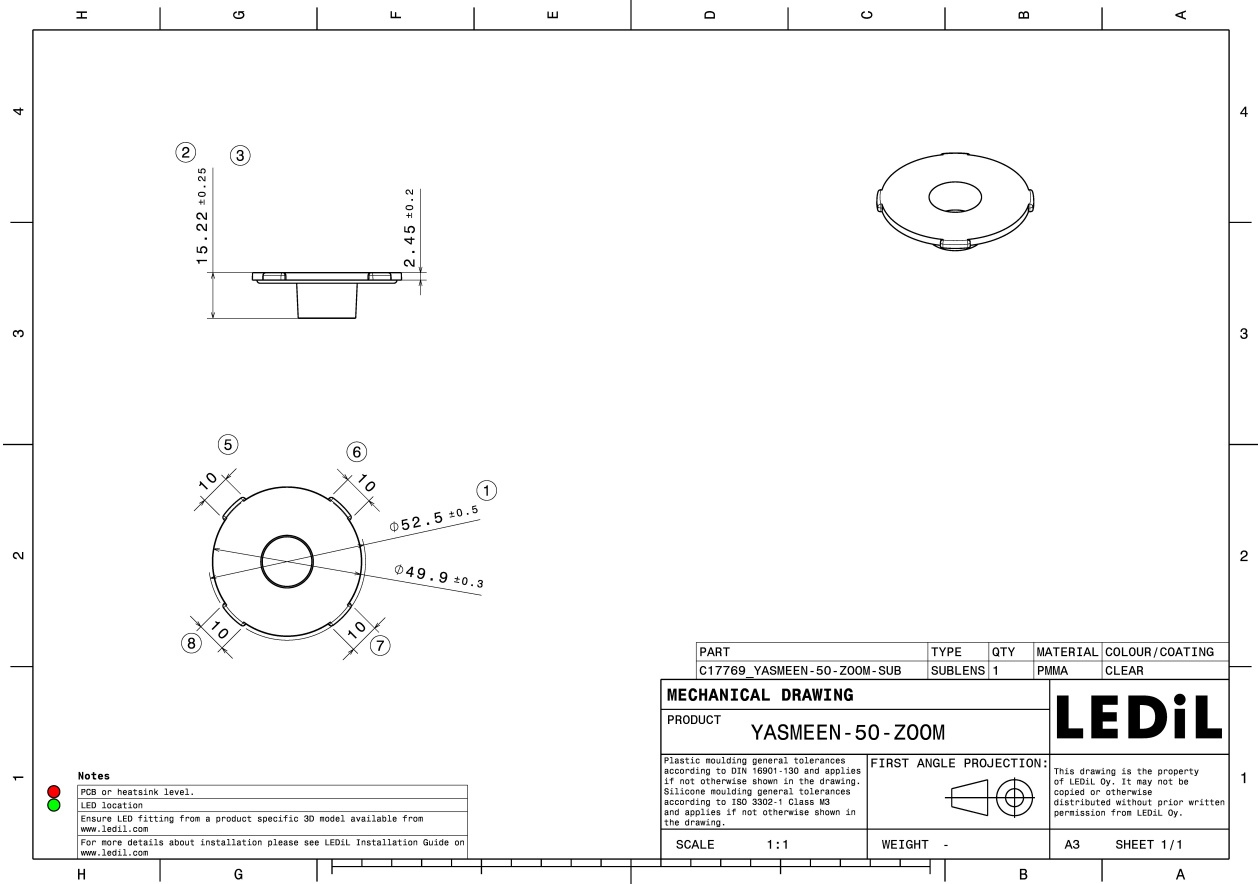
MATERIALS:

Component	Type	Material	Colour	Finish
YASMEEN-50-ZOOM	Single lens	PMMA		
YASMEEN-50-ZOOM-SUB	Sublens	PMMA		
YASMEEN-50-HLD2-C	Holder C	PC	black	
YASMEEN-50-HLD2-B	Holder B	PC	black	
YASMEEN-50-HLD2-C-WHT	Holder C	PC	white	
YASMEEN-50-HLD2-B-WHT	Holder B	PC	white	

ORDERING INFORMATION:

Component	Qty in box	MOQ	MPQ	Box weight (kg)
C17735_YASMEEN-50-ZOOM	252	112	28	8.4
C17769_YASMEEN-50-ZOOM-SUB	252	112	28	2.9
Assembly				
CP18749_YASMEEN-50-ZOOM-B2-WHT	252	112	28	10.1
CP18742_YASMEEN-50-ZOOM-C2-WHT	252	112	28	9.9
CP18735_YASMEEN-50-ZOOM-B2	252	112	28	10.1
CP18728_YASMEEN-50-ZOOM-C2	252	112	28	9.9





See also our general installation guide: www.ledil.com/installation_guide

OPTICAL RESULTS (SIMULATED):



LED CMA1303
Ordering code CP18735_YASMEEN-50-ZOOM-B2
FWHM / FWTM 13.0 + 45.0° / 26.0 + 70.0°
Efficiency 85 %
Peak intensity 11.1 cd/lm
LEDs/each optic 1
Light colour White
Required components:
Bender Wirth: 634c Bayonet35L

