

### YASMEEN-50-ZOOM

Infinitely adjustable beam from 15 to 45 degrees.  
Assembly with holder C (LEDiL HEKLA) and B (BJB and B+W). Black and white versions.

#### SPECIFICATION:

Dimensions	Ø 49.9 mm
Height	29 mm
Fastening	socket
ROHS compliant	yes ⓘ

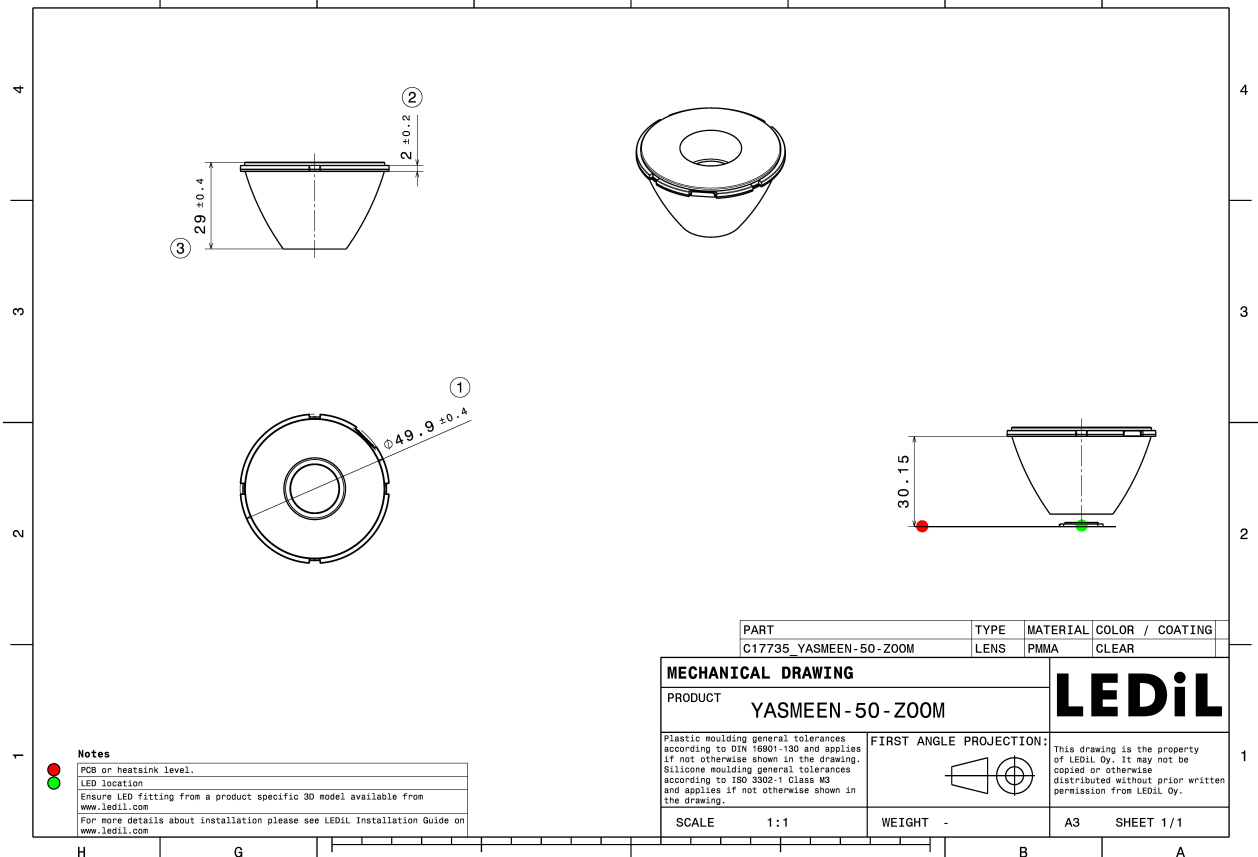
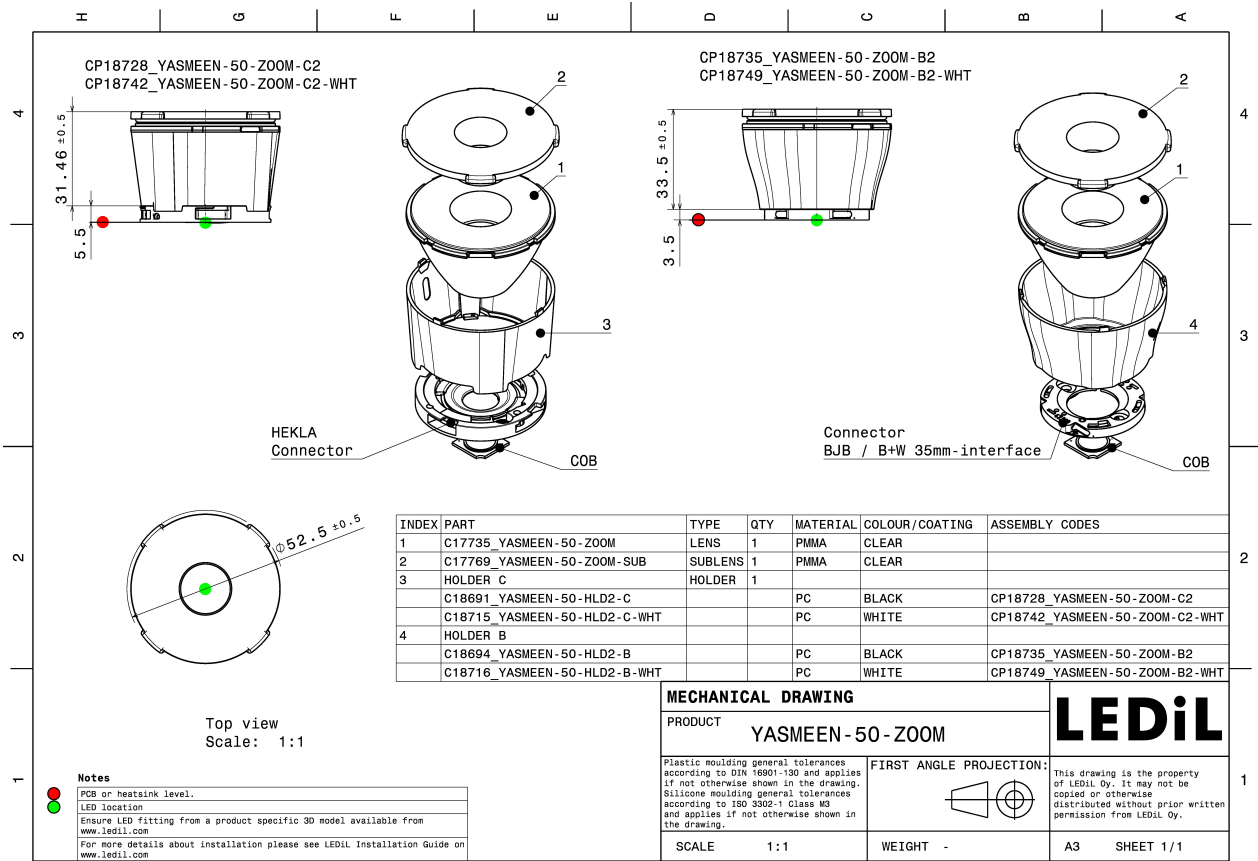


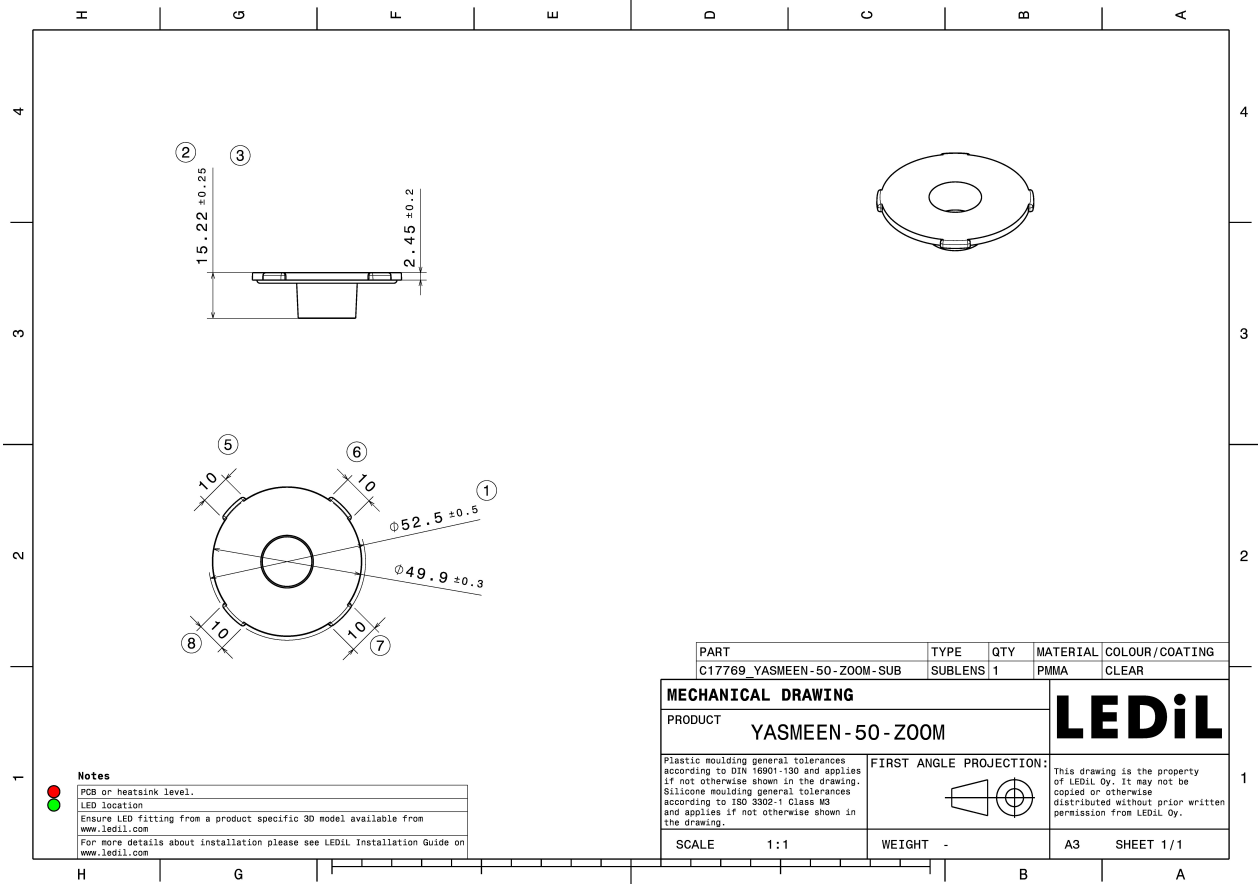
#### MATERIALS:

Component	Type	Material	Colour	Finish
YASMEEN-50-ZOOM	Single lens	PMMA		
YASMEEN-50-ZOOM-SUB	Sublens	PMMA		
YASMEEN-50-HLD2-C	Holder C	PC	black	
YASMEEN-50-HLD2-B	Holder B	PC	black	
YASMEEN-50-HLD2-C-WHT	Holder C	PC	white	
YASMEEN-50-HLD2-B-WHT	Holder B	PC	white	

### ORDERING INFORMATION:

Component	Qty in box	MOQ	MPQ	Box weight (kg)
C17735_YASMEEN-50-ZOOM	252	112	28	8.4
C17769_YASMEEN-50-ZOOM-SUB	252	112	28	2.9
<b>Assembly</b>				
CP18749_YASMEEN-50-ZOOM-B2-WHT	252	112	28	10.1
CP18742_YASMEEN-50-ZOOM-C2-WHT	252	112	28	9.9
CP18735_YASMEEN-50-ZOOM-B2	252	112	28	10.1
CP18728_YASMEEN-50-ZOOM-C2	252	112	28	9.9





See also our general installation guide: [www.ledil.com/installation\\_guide](http://www.ledil.com/installation_guide)

### OPTICAL RESULTS (SIMULATED):



LED CMA1303  
Ordering code CP18735\_YASMEEN-50-ZOOM-B2  
FWHM / FWTM 13.0 + 45.0° / 26.0 + 70.0°  
Efficiency 85 %  
Peak intensity 11.1 cd/lm  
LEDs/each optic 1  
Light colour White  
Required components:  
Bender Wirth: 634c Bayonet35L

