

YASMEEN-70-W

~36° wide beam. Assembly with holder C (LEDiL HEKLA) and B (BJB and B+W). Black and white versions.

SPECIFICATION:

Dimensions	Ø 70.0 mm
Height	37.7 mm
Fastening	socket
ROHS compliant	yes ⓘ

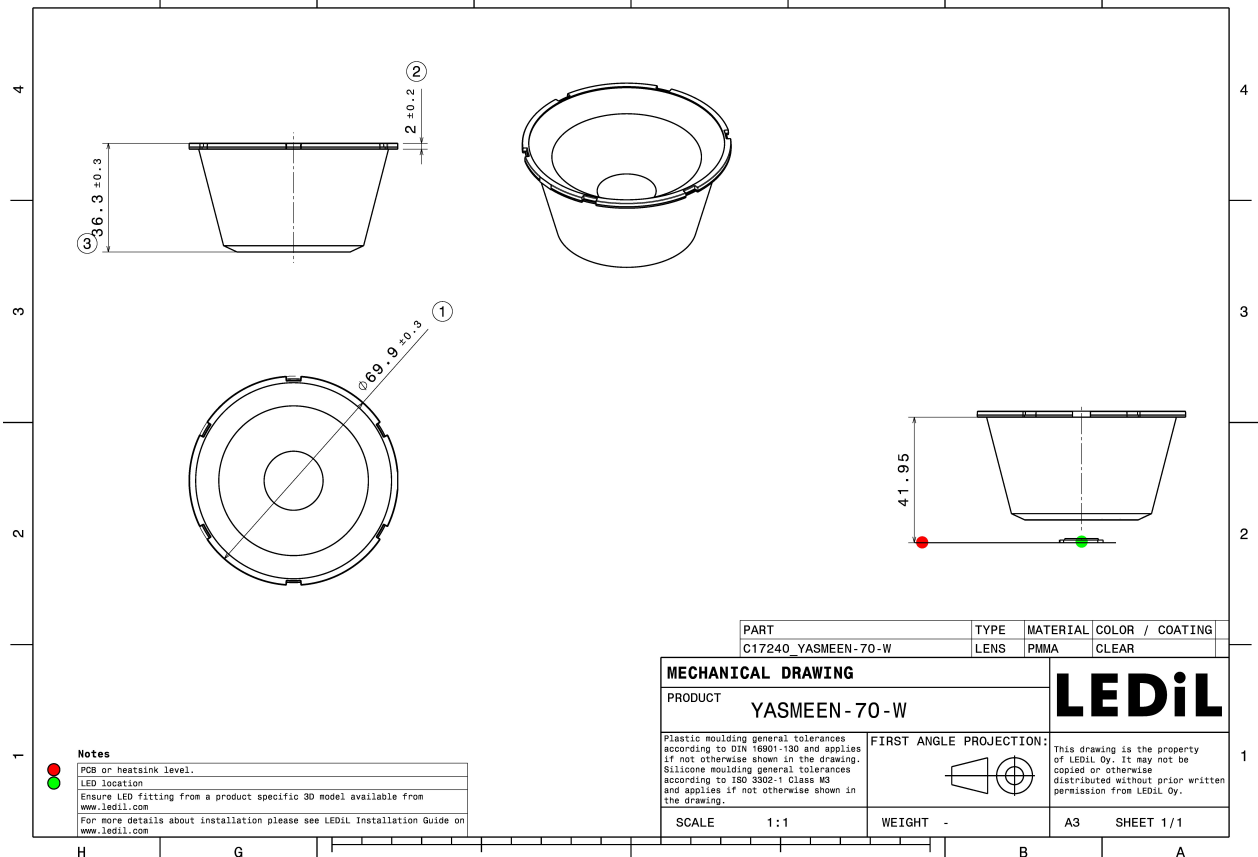
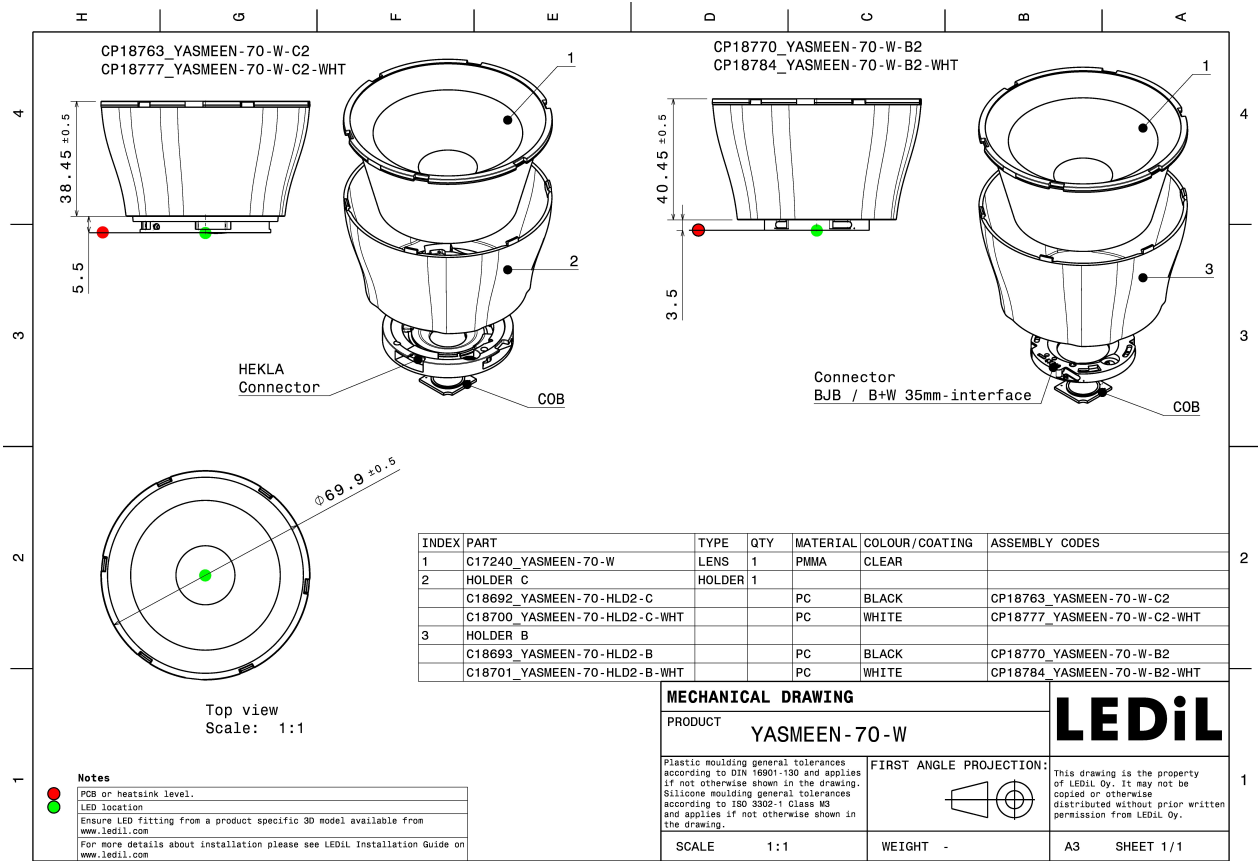


MATERIALS:

Component	Type	Material	Colour	Finish
YASMEEN-70-W	Single lens	PMMA	clear	
YASMEEN-70-HLD2-C	Holder C	PC	black	
YASMEEN-70-HLD2-B	Holder B	PC	black	
YASMEEN-70-HLD2-C-WHT	Holder C	PC	white	
YASMEEN-70-HLD2-B-WHT	Holder B	PC	white	

ORDERING INFORMATION:

Component		Qty in box	MOQ	MPQ	Box weight (kg)
C17240_YASMEEN-70-W	Single lens	105	105	15	8.4
Assembly					
CP18784_YASMEEN-70-W-B2-WHT		105	105	15	9.8
CP18777_YASMEEN-70-W-C2-WHT		105	105	15	9.7
CP18770_YASMEEN-70-W-B2		105	105	15	9.8
CP18763_YASMEEN-70-W-C2		105	105	15	9.7



See also our general installation guide: www.ledil.com/installation_guide