

YASMEEN-70-ZOOM

Infinitely adjustable beam from 15 to 45 degrees.
Assembly with holder C (LEDiL HEKLA) and B (BJB and B+W). Black and white versions.

SPECIFICATION:

Dimensions	Ø 70.0 mm
Height	39 mm
Fastening	socket
ROHS compliant	yes ⓘ

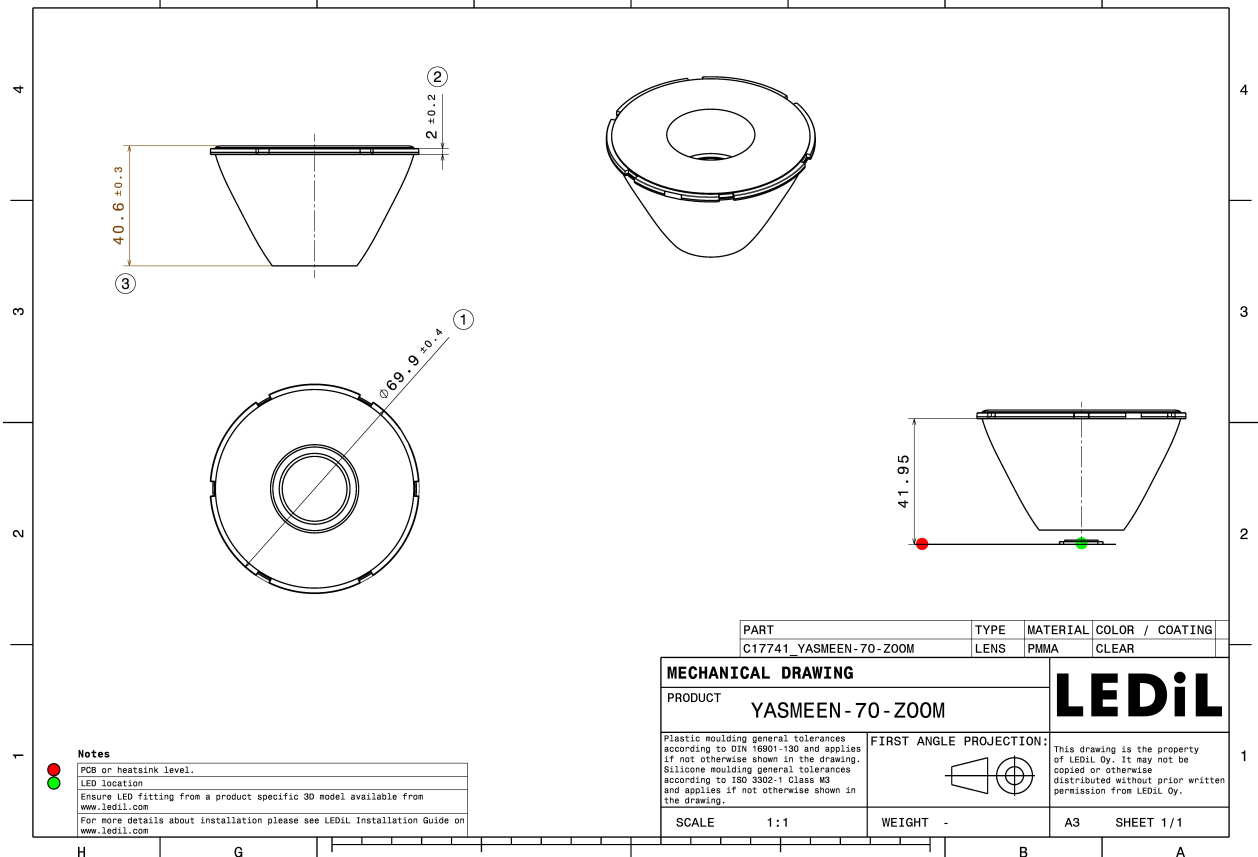
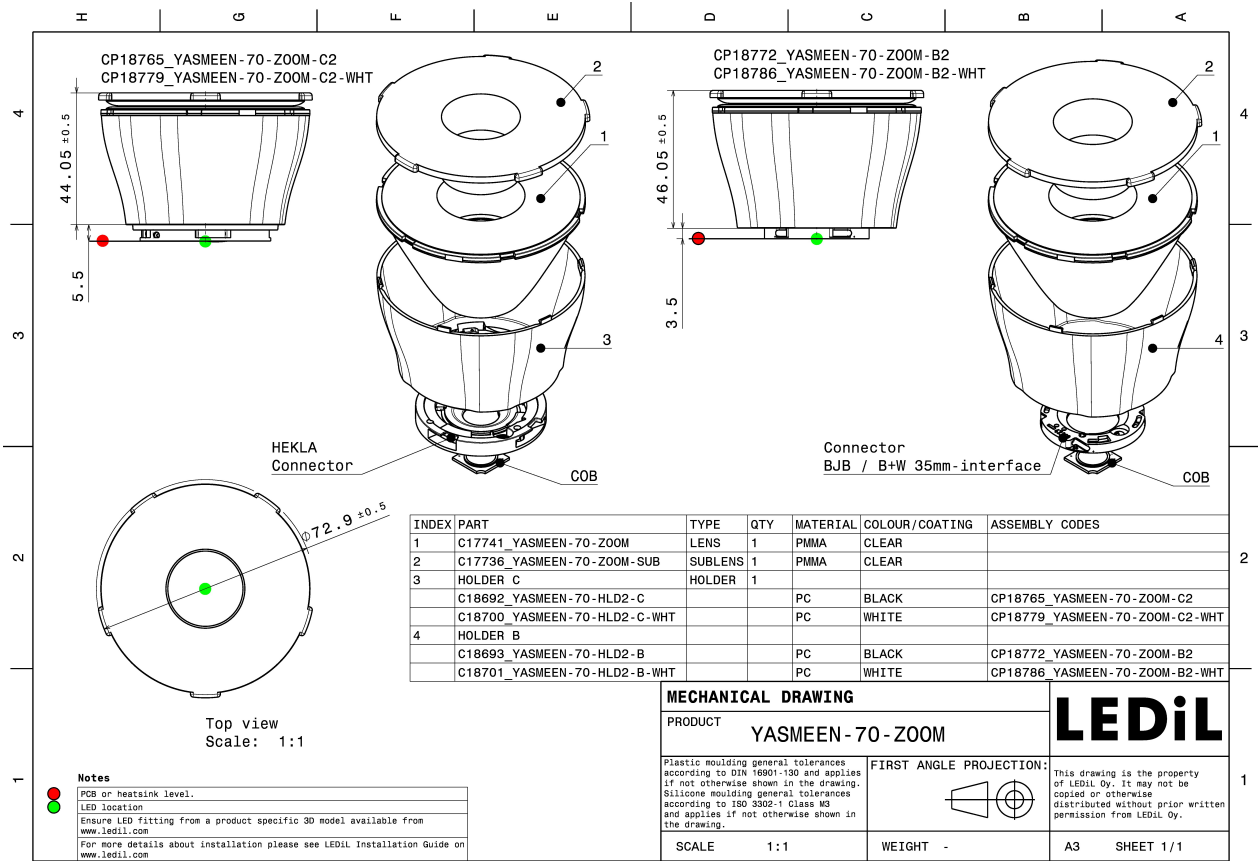


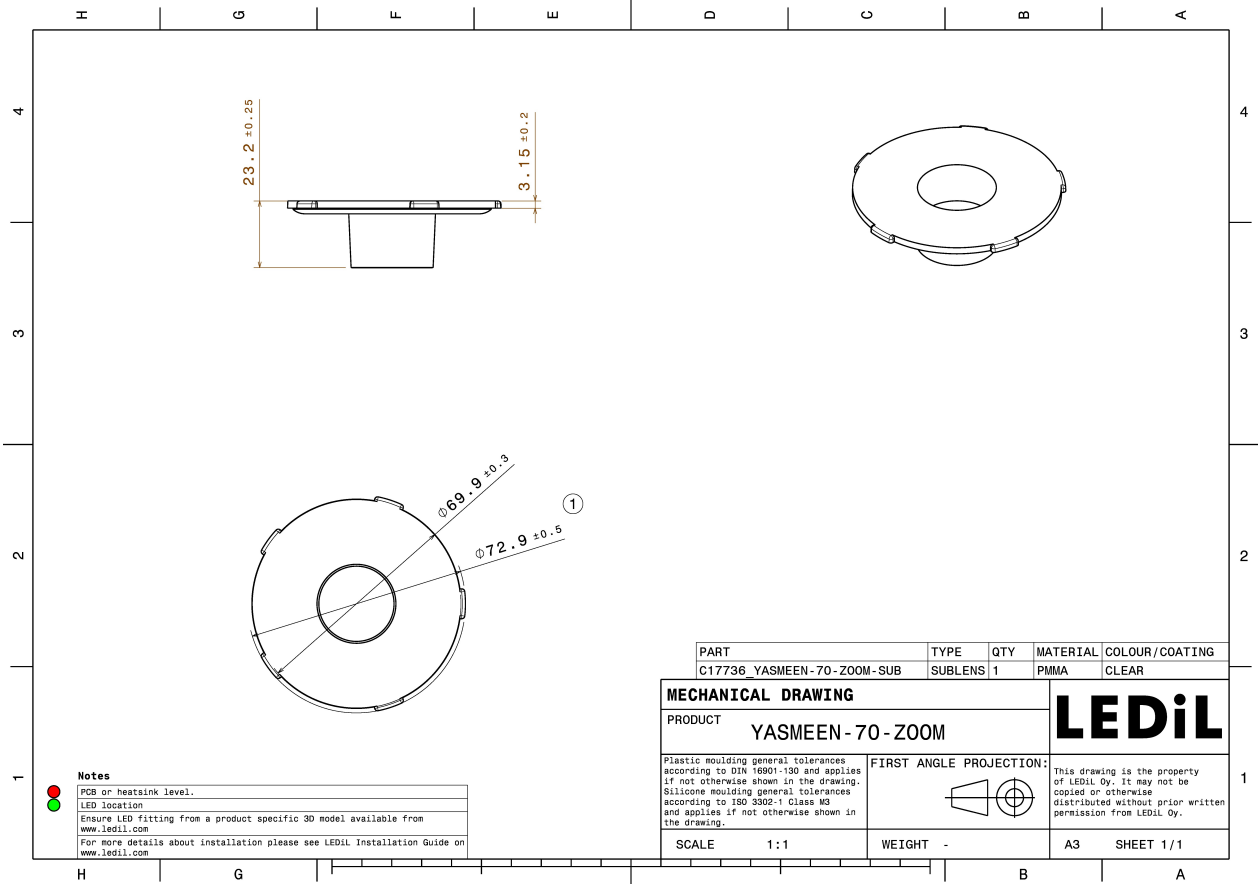
MATERIALS:

Component	Type	Material	Colour	Finish
YASMEEN-70-ZOOM	Single lens	PMMA		
YASMEEN-70-ZOOM-SUB	Sublens	PMMA		
YASMEEN-70-HLD2-C	Holder C	PC	black	
YASMEEN-70-HLD2-B	Holder B	PC	black	
YASMEEN-70-HLD2-C-WHT	Holder C	PC	white	
YASMEEN-70-HLD2-B-WHT	Holder B	PC	white	

ORDERING INFORMATION:

Component	Qty in box	MOQ	MPQ	Box weight (kg)
C17741_YASMEEN-70-ZOOM	105	105	15	8.8
C17736_YASMEEN-70-ZOOM-SUB	105	105	15	3.1
Assembly				
CP18786_YASMEEN-70-ZOOM-B2-WHT	105	105	15	10.6
CP18779_YASMEEN-70-ZOOM-C2-WHT	105	105	15	10.5
CP18772_YASMEEN-70-ZOOM-B2	105	105	15	10.6
CP18765_YASMEEN-70-ZOOM-C2	105	105	15	10.5



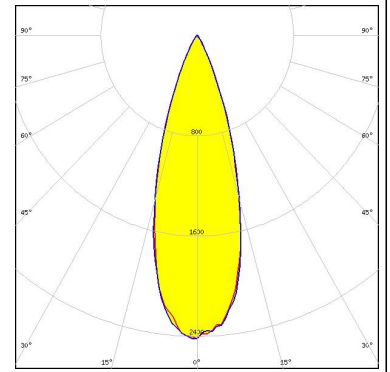


See also our general installation guide: www.ledil.com/installation_guide

OPTICAL RESULTS (SIMULATED):

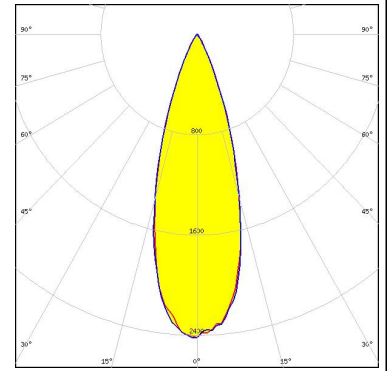
CITIZEN

LED CLL02x/CLU02x (LES10)
 Ordering code CP18786_YASMEEN-70-ZOOM-B2-WHT
 FWHM / FWTM 17.0 + 41.0° / 34.0 + 69.0°
 Efficiency 83 %
 Peak intensity 6.7 cd/lm
 LEDs/each optic 1
 Light colour White
 Required components:
 BJB: 47.360.1020



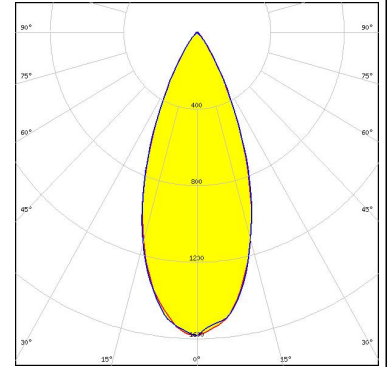
CITIZEN

LED CLL02x/CLU02x (LES10)
 Ordering code CP18772_YASMEEN-70-ZOOM-B2
 FWHM / FWTM 17.0 + 41.0° / 34.0 + 69.0°
 Efficiency 83 %
 Peak intensity 6.7 cd/lm
 LEDs/each optic 1
 Light colour White
 Required components:
 BJB: 47.360.1020



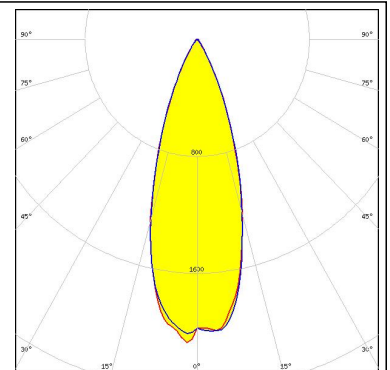
CREE LED

LED CMU10xx
 Ordering code CP18772_YASMEEN-70-ZOOM-B2
 FWHM / FWTM 16.0 + 42.0° / 32.0 + 69.0°
 Efficiency 85 %
 Peak intensity 8.1 cd/lm
 LEDs/each optic 1
 Light colour White
 Required components:
 BJB: 47.360.1020



LUMILEDS

LED LUXEON CoB 1202/1203
 Ordering code CP18772_YASMEEN-70-ZOOM-B2
 FWHM / FWTM 20.0 + 42.0° / 41.0 + 73.0°
 Efficiency 83 %
 Peak intensity 4.8 cd/lm
 LEDs/each optic 1
 Light colour White
 Required components:
 BJB: 47.360.1110



OPTICAL RESULTS (SIMULATED):

SAMSUNG

LED	LC020T (Tunable white)
Ordering code	CP18765_YASMEEN-70-ZOOM-C2
FWHM / FWTM	18.0 + 42.0° / 36.0 + 71.0°
Efficiency	84 %
Peak intensity	6 cd/lm
LEDs/each optic	1
Light colour	White
Required components:	
	C16142_HEKLA-SOCKET-K
	Bender Wirth: 501 Typ L8

